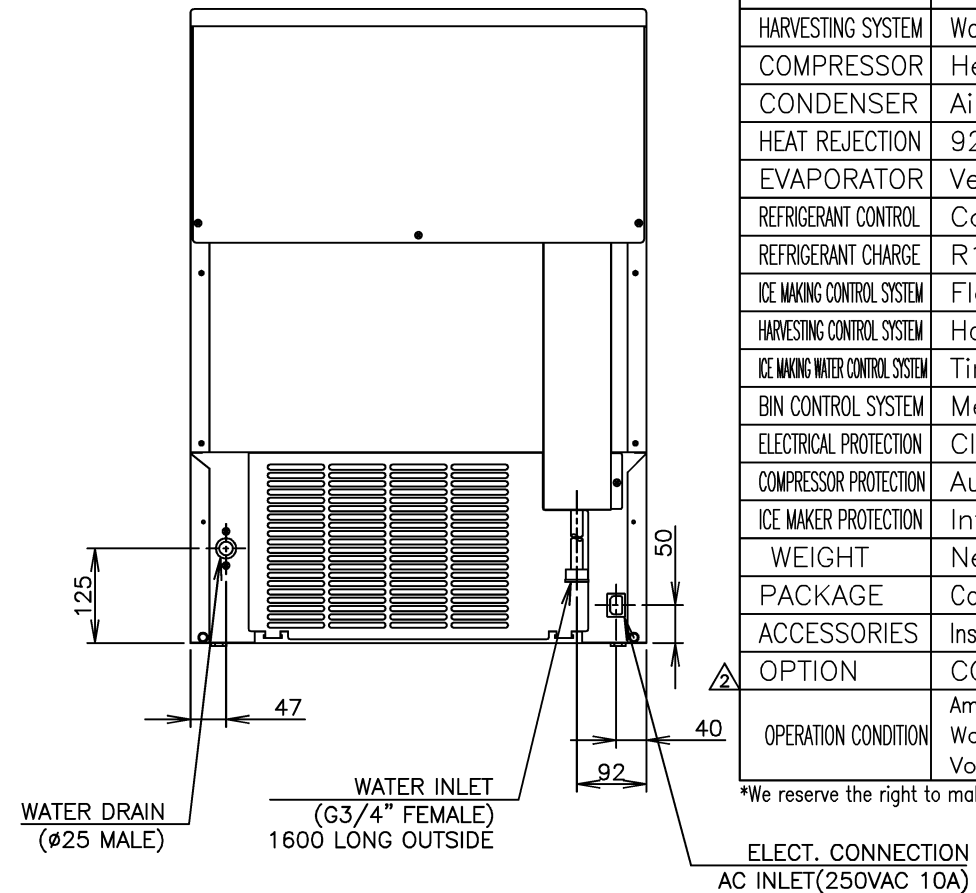
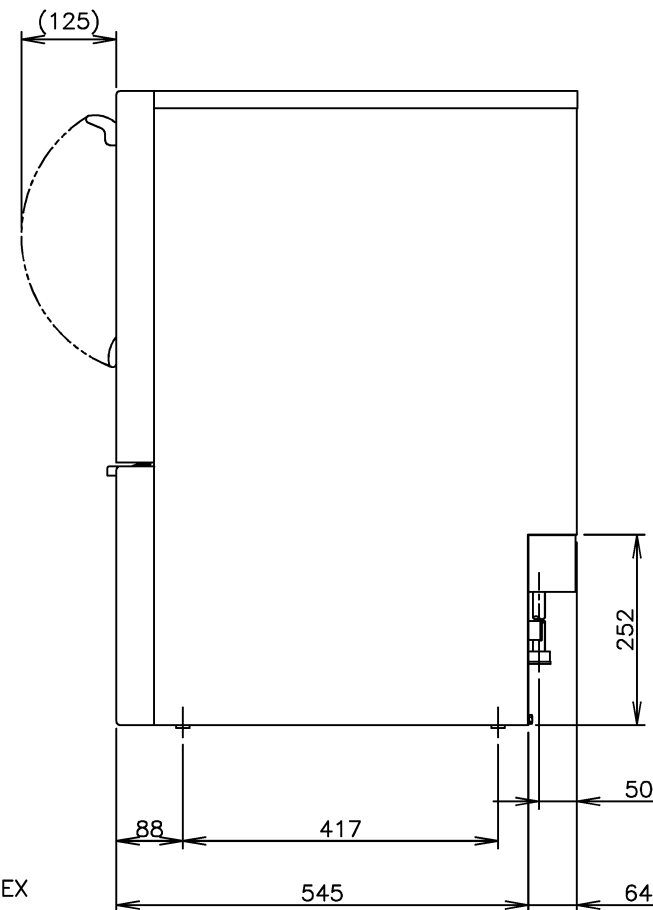
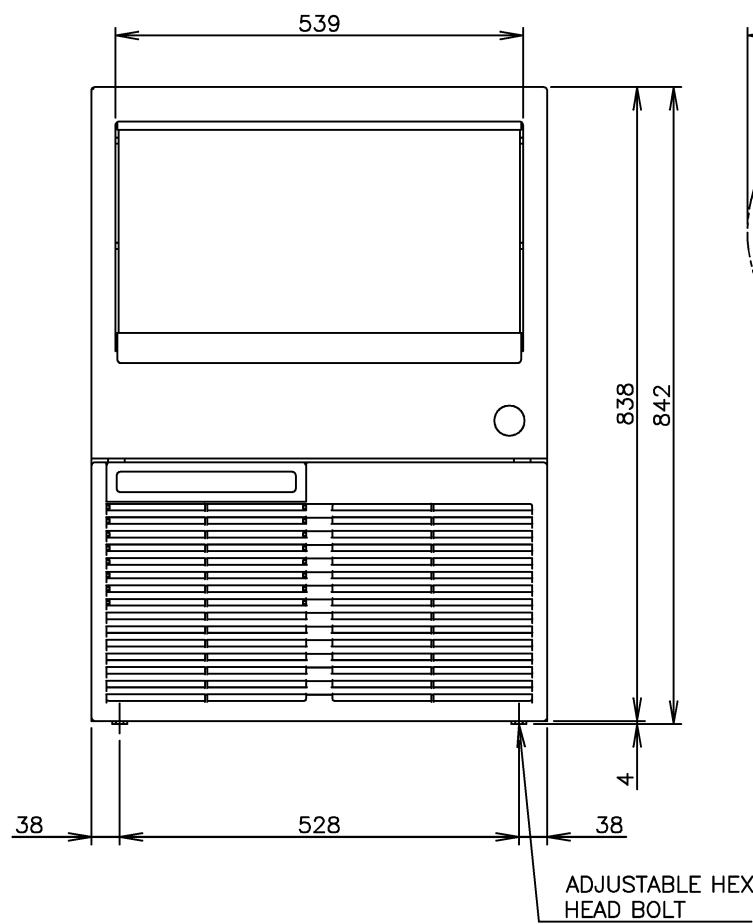
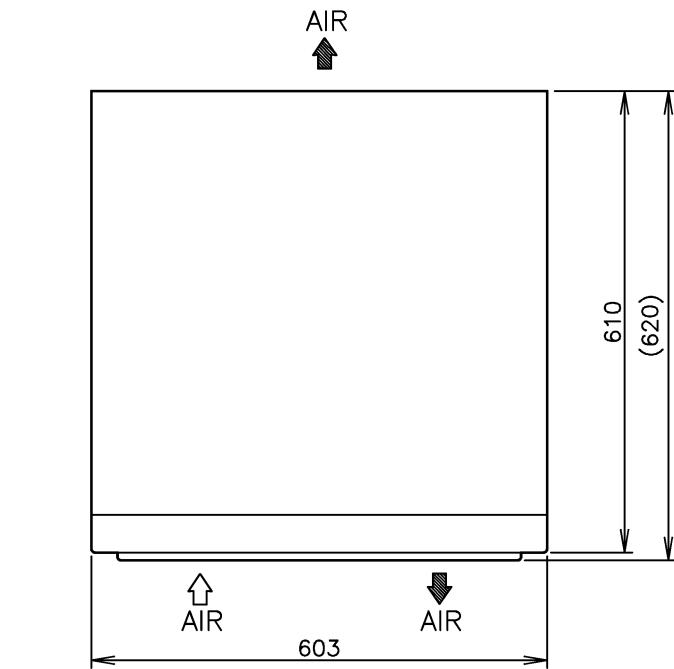


1. Install the product properly in accordance with the instructions on location, water supply/drain connections and electrical connections stated in the instruction and installation manuals provided.
2. The ice production depends on the ambient and water temperatures. Refer to the instruction manual.
3. Product Code: 15FE-C141

ITEM	Hoshizaki Crescent Ice Maker (Self-Contained Type)
MODEL	KM-50A
AC SUPPLY VOLTAGE	1 Phase 220 - 240V 50Hz
AMPERAGE	2.2A(AT. 32°C, WT. 21°C)
STARTING AMPERAGE	10.7A
ELECTRICAL CONSUMPTION	303W(AT. 32°C, WT. 21°C)
POWER FACTOR	57%
POWER SUPPLY CAPACITY	Min. 0.70kVA(2.92A)
ICE PRODUCTION PER	Approx. 52kg/d(AT. 10°C, WT. 10°C) Approx. 50kg/d(AT. 21°C, WT. 15°C) Approx. 41kg/d(AT. 32°C, WT. 21°C)
WATER CONSUMPTION PER	Approx. 0.281m ³ /d(AT. 10°C, WT. 10°C) Approx. 0.148m ³ /d(AT. 21°C, WT. 15°C) Approx. 0.079m ³ /d(AT. 32°C, WT. 21°C)
SHAPE OF ICE	Crescent Cube
FREEZE CYCLE TIME	Approx. 25Min(AT. 21°C, WT. 15°C)
ICE PRODUCTION PER CYCLE	Approx. 0.95kg / 110pcs(AT. 21°C, WT. 15°C)
MAX STORAGE CAPACITY	Approx. 23kg(Bin Cont Setting Approx. 19kg)
OUTSIDE DIMENSIONS	603mm(W) x 610mm(D) x 842mm(H)
EXTERIOR	Stainless Steel, Galvanized Steel(Rear)
INSULATION	Polyurethane Foam
INSULATION FOAM BLOWING AGENT	Cyclopentane/CFC Free/ODP: 0/GWP: 3
CONNECTIONS-ELECTRIC	X-type Con.
CONNECTIONS-WATER SUPPLY	Inlet G3/4"(connected at rear side)
CONNECTIONS-DRAIN	Outlet φ25(connected at rear side)
ICE MAKING SYSTEM	Vertical Evaporator with water flow on both sides
HARVESTING SYSTEM	Water Supply Harvest Cycle and Hot Gas Defrost
COMPRESSOR	Hermetic
CONDENSER	Air-cooled, Fin and Tube type
HEAT REJECTION	920W(788kcal/h)(AT.32°C, WT.21°C)
EVAPORATOR	Vertical type, Stainless Steel and Copper
REFRIGERANT CONTROL	Capillary Tube
REFRIGERANT CHARGE	R134a/220g
ICE MAKING CONTROL SYSTEM	Float Switch
HARVESTING CONTROL SYSTEM	Hot Gas and Water, Thermistor and Timer
ICE MAKING WATER CONTROL SYSTEM	Timer Controlled, Overflow Pipe
BIN CONTROL SYSTEM	Mechanical Level Switch with Delay
ELECTRICAL PROTECTION	Class I Appliance, 5A Fuse
COMPRESSOR PROTECTION	Auto-reset Overload Protector
ICE MAKER PROTECTION	Interlock by Controller Board
WEIGHT	Net: 46kg(Gross: 58kg)
PACKAGE	Carton 690mm(W) x 705mm(D) x 955mm(H)
ACCESSORIES	Instruction Manual, Scoop, Adjustable Bolt, Outlet Hose
OPTION	COVER/TOP PANEL
OPERATION CONDITION	Ambient Temp.: 1-40°C, Water Supply Temp.: 5-35°C Water Supply Pressure: 0.07-0.8MPa(0.7-8bar) Voltage Range: 198-254V

*We reserve the right to make changes in specifications and design without prior notice.



HOSHIZAKI CRESCENT ICE MAKER (SELF-CONTAINED TYPE) KM-50A

APPROVED YOSHIDA	CHECKED YAMAGUCHI	DESIGNED UEDA	DRAWN WATANABE	SCALE 1/10	TRIGONOMETRY
KUROYANAGI APPROVED	KOSHI DESIGNED	2014.05.14 DATE	DATE 2012.05.30	DRAWING NO. D11415	SYMBOL △