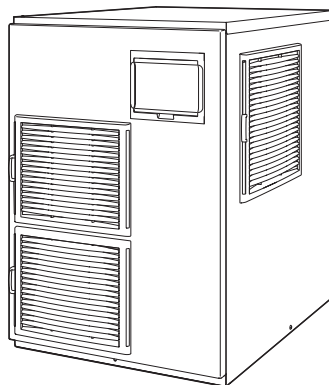




MODULAR ICE MAKER
MACHINE A GLACE MODULAIRE
EISBEREITER FÜR SEPARATEN VORRATSBEHÄLTER
IJSMACHINE MET LOSSE OPSLAGBUNKER
MAQUINA DE CUBITOS MODULAR
FABBRICATORE MODULARE DI GHIACCIO

**INSTALLATION MANUAL
NOTICE D'INSTALLATION
INSTALLATIONSANLEITUNG
INSTALLATIE VOORSCHRIFT
MANUAL DE INSTALACION
MANUALE PER L'INSTALLAZIONE**



FOR QUALIFIED INSTALLER ONLY
RESERVE A L'INSTALLATEUR
FÜR DEN INSTALLATEUR
VOOR DE BEVOEGDE INSTALLATEUR
SOLAMENTE PARA INSTALADOR CUALIFICADO
SOLTANTO PER INSTALLATORI QUALIFICATI

**FM-480AKE-HC
FM-480AKE-HCN
FM-300AKE-HC
FM-300AKE-HCN**

L2F087203 (093014)

ENGLISH	IMPORTANT SAFETY INFORMATION	1
	1. CONSTRUCTION	3
	2. ACCESSORIES	3
	3. UNPACKING	3
	4. LOCATION	4
	5. INSTALLATION	4
	6. ELECTRICAL CONNECTIONS	5
	7. WATER SUPPLY AND DRAIN CONNECTIONS	5
	8. START-UP PROCEDURE	6
	9. FINAL CHECKS	7
FRANCAIS	INFORMATIONS DE SECURITE IMPORTANTES	8
	1. CONSTRUCTION	10
	2. ACCESSOIRES	10
	3. DEBALLAGE	10
	4. EMBLACEMENT	11
	5. INSTALLATION	11
	6. BRANCHEMENTS ELECTRIQUES	12
	7. BRANCHEMENTS D'ARRIVEE ET DE VIDANGE D'EAU	13
	8. PROCEDURE DE DEMARRAGE	14
	9. DERNIERS CONTROLES	14
DEUTSCH	WICHTIGE SICHERHEITSHINWEISE	15
	1. KONSTRUKTION	17
	2. ZUBEHÖR	17
	3. AUSPACKEN	17
	4. AUFSTELLORT	18
	5. INSTALLATION	18
	6. ELEKTRISCHE ANSCHLÜSSE	19
	7. WASSERZULAUF- UND WASSERABLAUFANSCHLÜSSE	20
	8. INBETRIEBNAHME	21
	9. ABSCHLUSSTESTS	21
NEDERLANDS	BELANGRIJKE VEILIGHEIDSINFORMATIE	22
	1. CONSTRUCTIE	24
	2. TOEBEHOREN	24
	3. UITPAKKEN	24
	4. PLAATSING	25
	5. INSTALLATIE	25
	6. ELEKTRISCHE AANSLUITINGEN	26
	7. AANSLUITING VAN WATERTOEVER- EN WATERAFVOERLEIDINGEN	27
	8. OPSTARTPROCEDURE	28
	9. LAATSTE CONTROLES	28
ESPAÑOL	INFORMACIÓN IMPORTANTE DE SEGURIDAD	29
	1. CONSTRUCCIÓN	31
	2. ACCESORIOS	31
	3. DESEMBALAJE	31
	4. UBICACIÓN	32
	5. INSTALACIÓN	32
	6. CONEXIONES ELÉCTRICAS	33
	7. SUMINISTRO DE AGUA Y CONEXIONES DE DRENAJE	34
	8. PROCEDIMIENTO DE PUESTA EN MARCHA	35
	9. COMPROBACIONES FINALES	35
ITALIANO	INFORMAZIONI IMPORTANTI SULLA SICUREZZA	36
	1. COMPONENTI	38
	2. ACCESSORI	38
	3. DISIMBALLAGGIO	38
	4. UBICAZIONE	39
	5. INSTALLAZIONE	39
	6. COLLEGAMENTI ELETTRICI	40
	7. COLLEGAMENTO DI ALIMENTAZIONE DELL'ACQUA E COLLEGAMENTO DI SCARICO	41
	8. PROCEDURA D'AVVIO	42
	9. CONTROLLI FINALI	42

IMPORTANT SAFETY INFORMATION

Throughout this manual, notices appear to bring your attention to situations which could result in death, serious injury, or damage to the unit.

▲WARNING	Indicates a hazardous situation which, if not avoided, could result in death or serious injury.
▲CAUTION	Indicates a hazardous situation which, if not avoided, could result in minor or moderate injury.
NOTICE	Indicates a hazardous situation which, if not avoided, could result in damage to the unit.
▲HYGIENE	Indicates important precautions for hygiene and food safety.
IMPORTANT	Indicates important information about the use and care of the unit.

This icemaker uses HFC-free refrigerant (propane) and HFC-free foam insulation that are non-ozone-depleting and environmentally sustainable materials having very low global warming potential.

▲WARNING	
This icemaker contains flammable refrigerant in its cooling unit; maintenance and recharging must therefore only be carried out by authorized technicians.	
The refrigerant contained in this icemaker is flammable and sealed in the refrigeration system. Although the refrigerant does not leak out under normal usage, take utmost care when handling this icemaker so as not to cause any damages to the system.	
In the case of accidental damage to the refrigeration system causing refrigerant leak:	
<ul style="list-style-type: none"> * Do not create a source of ignition in the area. * Do not operate electrical switches or plugs in the area. * Do not use naked flame. * Immediately ventilate the area by opening doors and/or windows. * Call service engineer. 	
IMPORTANT	
In order to carry out safe and proper installation of the product, please read this booklet carefully beforehand and follow the instructions contained within.	
On completion of the installation, start up the icemaker to check for any abnormalities. Instruct the user on how to use and maintain the icemaker in accordance with the instruction manual.	
This booklet should be handed over to the user after the installation and be preserved by the user together with the instruction manual for any further consultation that may be necessary.	

▲WARNING

This is a commercial icemaker, and should be destined only to be used for the purpose for which it has been expressly designed.

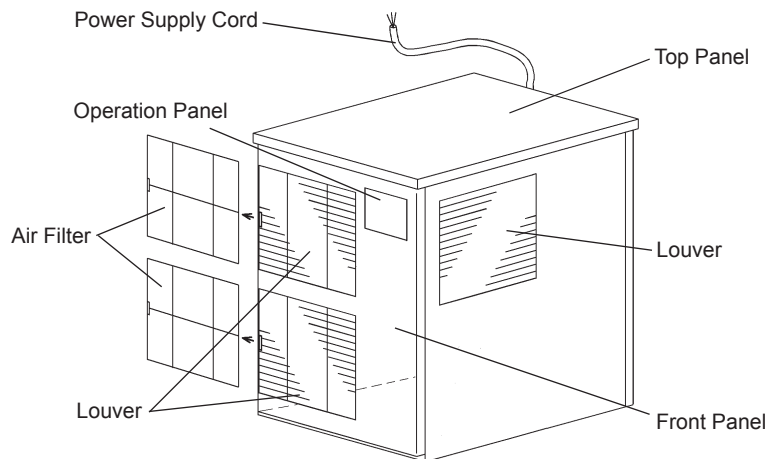
Any other use should be considered improper and therefore dangerous. The manufacturer will not be held liable or responsible for any damage caused by improper, incorrect and unreasonable use.

The installation, and relocation if necessary, must be carried out by qualified personnel, in accordance with current regulations, according to the manufacturer's instructions.

Keep ventilation openings, in the appliance enclosure or in the built-in structure, clear of obstruction.

Do not use mechanical devices or other means to accelerate the defrosting process, other than those recommended by the manufacturer.

1. CONSTRUCTION



2. ACCESSORIES

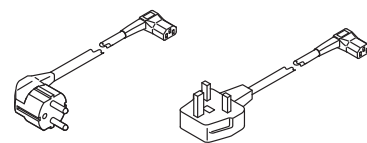
CD	1
Mounting Bracket	2
Power Supply Cord	1
Inlet Hose	1
Outlet Hose	1
Connector Cover	1



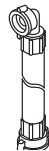
CD



Mounting Bracket



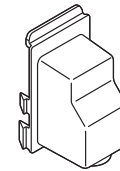
Power Supply Cord



Inlet Hose



Outlet Hose



Connector Cover

3. UNPACKING

⚠ WARNING

Children should not be allowed in reach of the packaging elements (plastic bags and expanded polystyrene) as they are potential sources of danger.

⚠ CAUTION

Do not lift or manoeuvre the carton by using the shipping bands.

When moving the unit by hand, remove the panels and hold the unit frame.

Always wear protective gloves when carrying the unit.

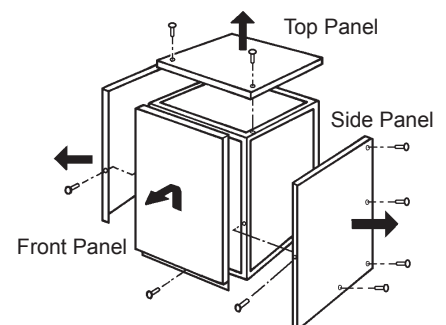
When handling the carton or the unpacked unit, work in pair to prevent injury.

NOTICE

Remove shipping carton, tape(s) and packing. If packing material is left in the icemaker, it will not work properly.

This icemaker needs a storage bin. The recommended storage bin is HOSHIZAKI ICE STORAGE BIN, Model B-300SD(PD) or B-500SD(PD) with top kit - 8C, B-700SD(PD) with top kit - 22C, or B-900SD(PD) with top kit - 22C and top kit -8C.

- 1) After removing the packaging, make sure that the icemaker and the storage bin are in good condition. If in doubt, please do not use the icemaker but apply to professionally qualified personnel. See the instruction sheet attached to the storage bin for its unpacking and installation guidelines.
- 2) Remove the shipping tape holding panels.
- 3) Remove the front, top, and side panels.
- 4) Remove the package of accessories. Check the contents according to "2. ACCESSORIES".



- Top Panel: Remove the screw. Lift off.
- Front Panel: Remove the screw. Lift up and pull toward you.
- Side Panel: Remove the screws. Pull slightly toward you.

ENGLISH

5) Remove the protective plastic film from the panels. If the icemaker is exposed to the sun or to heat, remove the film after the icemaker cools.

4. LOCATION

⚠ WARNING

This icemaker is not intended for outdoor use.

The icemaker should not be located next to ovens, grills or other high heat producing equipment.

This appliance is not suitable for installation in an area where a water jet could be used.

⚠ CAUTION

The location should provide a firm and level foundation for the icemaker.

NOTICE

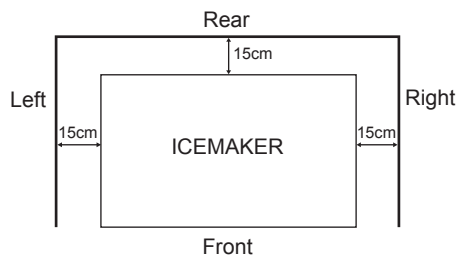
Do not place anything on top of the icemaker or in front of the louver.

IMPORTANT

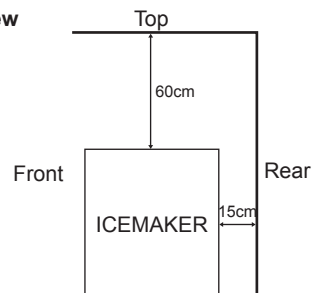
Normal operating ambient temperature should be within 5°C to 40°C. Water connection is cold water only. Operation of the icemaker, for extended periods, outside of these normal temperature ranges may affect production capacity.

Allow the clearance specified below for proper air circulation and ease of maintenance and/or service should they be required.

Top View



Side View



In some high humidity environments, condensation may form inside the machine and drip onto the floor. Do not install where the floor can be affected by water.

Avoid prolonged exposure of the appliance to direct sunlight.

5. INSTALLATION

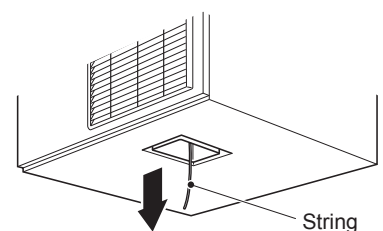
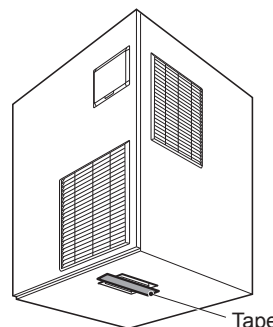
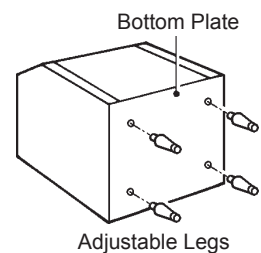
⚠ CAUTION

Incorrect installation can cause harm to people, animals or other items, for which the manufacturer cannot be held responsible.

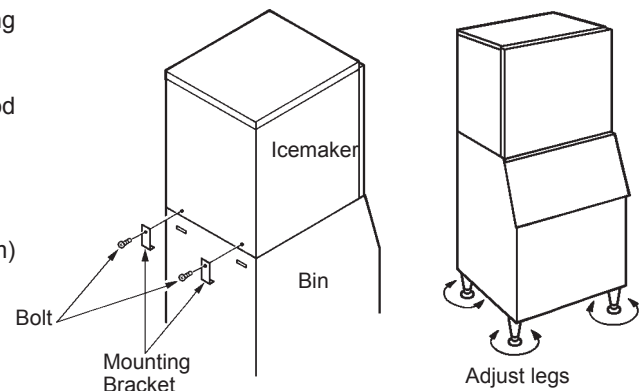
- 1) Fully screw in the four legs provided (bin accessory) into the storage bin underside.
- 2) Position the storage bin in the selected permanent side.
- 3) Remove the tape from the chute opening at the bottom of the icemaker.
- 4) Pull down the end of the string coming out of the chute opening to remove the cushion.

Note: If the power supply is turned on with the cushion left inside, the icemaker will not start showing "BIN FULL" in the display.

- 5) Place the icemaker on top of the storage bin by holding the bottom.



- 6) Secure the icemaker to the storage bin, by using the two mounting brackets and two bolts provided.
- 7) Seal the seam between the icemaker and the storage bin with food grade sealant.
- 8) Refit the side panels in their correct position.
- 9) Adjust the four legs on the bottom (adjustable from 0 to 25.4 mm) to have the icemaker perfectly horizontal. Use the spirit level.



6. ELECTRICAL CONNECTIONS

⚠ WARNING

THIS APPLIANCE MUST BE EARTHED

This icemaker requires an earth that meets the national and local electrical code requirements.

To prevent possible severe electrical shock to individuals or extensive damage to the unit, install a proper earth wire to the icemaker.

Disconnect the main power supply before any maintenance, repairs or cleaning is undertaken.

- * This appliance requires a separate 220 - 240VAC, 13A supply. The electrical supply must be protected by a suitable circuit breaker.
- * Usually an electrical permit and services of a licensed electrician are required.
- * If the supply cord is damaged, it must be replaced by a replacement cord available from Hoshizaki Parts/Service Centres.

For the U.K. and the Republic of Ireland only

- * The wires in the mains lead are coloured in accordance with the following code:
 Green & Yellow = Earth
 Blue = Neutral
 Brown = Live

As the colours of the wire in the mains lead of this appliance may not correspond with the coloured markings identifying the terminals in your plug, proceed as follows:

The wire which is coloured Green-and-Yellow must be connected to the terminal in the plug which is marked with the letter E or by the symbol \perp or coloured Green or Green-and-Yellow. The wire which is coloured Blue must be connected to the terminal which is marked with the letter N or coloured Black. The wire which is coloured Brown must be connected to the terminal which is marked with the letter L or coloured Red.

- * Should the socket outlets in the installation site not be suitable for the plug supplied with your product, the plug must be removed (cut off if it is moulded on plug) and an appropriate plug fitted.

If the non-rewirable plug has been cut from the power supply cord, it must be disposed of. There should be no attempt to reuse it. Inserting such a plug into a socket elsewhere presents a serious risk of electrical shock.

- * The non-rewirable plug must never be used without a fuse cover being fitted.

The correct replacement for the detachable fuse cover is identifiable from the manufacturer's reference number stamped on the plug.

Supply of replacement fuse covers can be obtained from Hoshizaki Parts/Service Centres.

Fuses should be rated at 13A (FM-480) / 10A (FM-300) and approved to BS 1362.

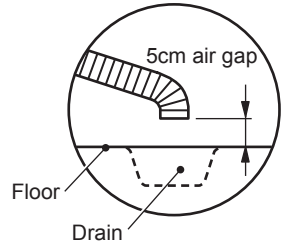
7. WATER SUPPLY AND DRAIN CONNECTIONS

⚠ WARNING

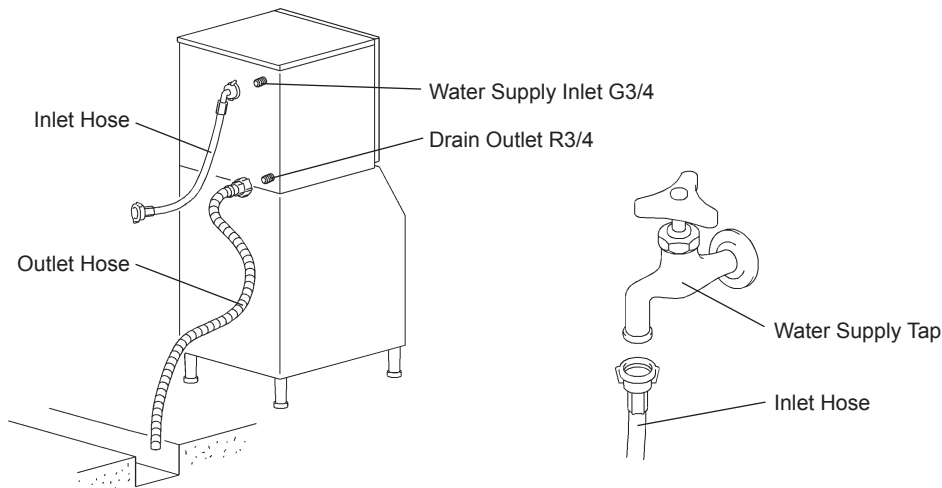
Connect to potable cold water supply only.

ENGLISH

- * The connections to the mains water supply must be made in accordance with the countries' current requirements of the Water Supply or Water Fittings Regulations.
- * Icemaking water must be potable water. Where scaling can be caused by water quality, installation of an external filter or softener is recommended. Contact your local water treatment professional or Hoshizaki service agent.
- * Water supply pressure should be minimum 0.05 MPa (0.5 bar) and maximum 0.8 MPa (8 bar). If the pressure exceeds 0.8 MPa (8 bar), use a proper pressure reducing valve. Do **NOT** throttle back the supply tap.
- * A plumbing permit and services of a licensed plumber may be required in some areas.
- * The icemaker drain is gravity flow, so ensure drain hose has an adequate pitch or fall.
- * Drain lines should not be installed directly to the sewer system. A vertical air gap of a minimum of 5 cm should be between the end of the drain hoses from the icemaker and storage bin and the floor drain.
- * Be sure to use the new hose-sets supplied with the appliance. Do not reuse any old hose-sets.

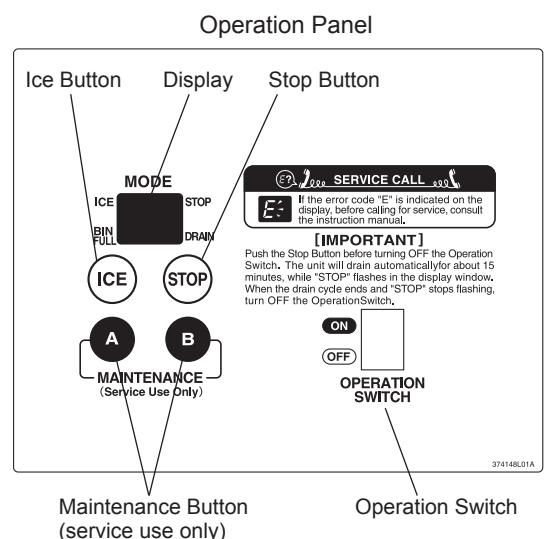


- 1) Attach the angled end of flexible inlet hose (accessory) to the G3/4 fitting on the rear of the icemaker as indicated, ensuring rubber sealing washer is correctly positioned. Hand tighten sufficiently to provide leak free joint.
- 2) Attach the other end of inlet hose to the water tap, noting washer is correctly positioned before hand tightening as above. It is a wise precaution to have a stop valve within easy reach.
- 3) Hand tighten grey flexible outlet hose (accessory) onto the R3/4 fitting on the rear of the icemaker as indicated, ensuring rubber washer is correctly positioned to obtain a leak free joint. The hose can be cut to length as necessary to suit position of main drain.



8. START-UP PROCEDURE

- 1) Check that the power supply cord is disconnected.
- 2) Move the operation switch on the operation panel to the "ON" position.
- 3) Open the water supply tap.
- 4) Connect the power supply and energise.
- 5) The display will illuminate in the "ICE" mode.
- 6) The following should occur in sequence:
 - a) Water reservoir will fill.
 - b) Gear motor will start.
 - c) Compressor will start.



▲HYGIENE

Check the conditions and quality of the ice production.

Do not use ice produced in the trial run. It might be contaminated with foreign matter in the water circuit. Discard or flush down the drain.

Clean the storage bin before use (see "III. 1. CLEANING" in instruction manual).

9. FINAL CHECKS

- 1) Check for correct supply voltage.
- 2) Check that the icemaker is properly earthed.
- 3) Check that the icemaker is free from vibration.
- 4) Check that all the panels are fixed and secure.
- 5) Check for proper operation according to "8. START-UP PROCEDURE".
- 6) Check the water supply and drain connections for water leaks.
- 7) Instruct the user on correct machine use. Hand the instruction manual to the user.

INFORMATIONS DE SECURITE IMPORTANTES

Tout au long de ce manuel, des avis attirent votre attention sur des situations qui pourraient entraîner la mort, des blessures graves ou des dégâts à l'appareil.

▲AVERTISSEMENT	Signale une situation dangereuse qui, si elle n'est pas évitée, peut entraîner des blessures graves voire mortelles.
▲ATTENTION	Signale une situation dangereuse qui, si elle n'est pas évitée, peut entraîner des blessures mineures ou modérées.
AVIS	Signale une situation dangereuse qui, si elle n'est pas évitée, peut entraîner des dégâts à l'appareil.
▲HYGIENE	Signale des précautions importantes à prendre en matière d'hygiène et de sécurité alimentaire.
IMPORTANT	Signale des informations importantes sur l'utilisation de l'appareil et son entretien.

La machine à glace emploie du fluide frigorigène exempt de HFC (propane) et une isolation en mousse exempte de HFC, non nocifs pour la couche d'ozone, ainsi que des matériaux durables qui ont très peu d'impact sur le réchauffement mondial.

▲AVERTISSEMENT
L'unité de refroidissement de la machine à glace contenant des fluides frigorigènes inflammables, son entretien et son rechargement ne doivent être réalisés que par des techniciens agréés.
Le fluide frigorigène de cette machine à glace est inflammable et est enfermé dans le système de réfrigération. Bien que le fluide frigorigène ne présente aucun risque de fuite dans des conditions d'utilisation normales, manipulez la machine à glace avec la plus grande précaution afin d'éviter d'endommager le système.
En cas de fuite de fluide frigorigène résultant d'un dommage accidentel au système de réfrigération : * Interdire toute étincelle ou corps incandescent dans le voisinage. * N'utiliser aucun interrupteur ni prise électrique dans le voisinage. * Ne pas utiliser de flamme nue. * Ventiler immédiatement la pièce en ouvrant les portes et/ou fenêtres. * Appeler un technicien de réparation.

IMPORTANT
Afin d'installer correctement le produit avec toutes les garanties de sécurité, veuillez d'abord lire attentivement cette notice et suivez soigneusement les instructions.
A la fin de l'installation, mettre la machine à glace en service pour vérifier l'absence d'anomalies. Indiquer à l'utilisateur comment utiliser et entretenir la machine à glace conformément à la notice d'utilisation.
Cette notice doit être remise à l'utilisateur après l'installation et conservée par ce dernier avec la Notice d'utilisation pour consultation ultérieure éventuelle.

▲AVERTISSEMENT

Cette machine à glace a été conçue pour des applications commerciales ; elle ne peut être utilisée qu'aux fins auxquelles elle est expressément destinée.

Toute autre utilisation doit être considérée comme inappropriée et donc dangereuse. Le fabricant décline toute responsabilité pour les dégâts provoqués par une utilisation inappropriée, incorrecte et abusive.

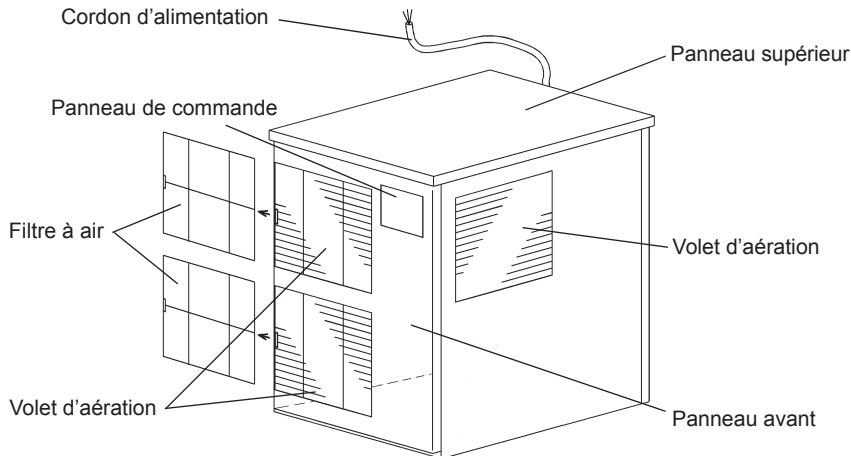
L'installation, et le transfert le cas échéant, doivent être effectués par un personnel qualifié, conformément aux réglementations en vigueur et aux consignes du fabricant.

Veillez à ce que les ouvertures de ventilation de l'enceinte de l'appareil et de la structure intégrée ne soient pas obstruées.

Pour accélérer le processus de décongélation, ne pas utiliser d'équipements mécaniques ni des méthodes autres que celles recommandées par le fabricant.

FRANCAIS

1. CONSTRUCTION



2. ACCESSOIRES

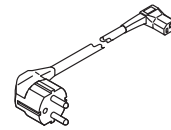
CD	1
Support de fixation	2
Cordon d'alimentation	1
Flexible d'arrivée	1
Tuyau de sortie	1
Capot de connecteur	1



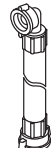
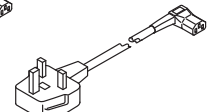
CD



Support de fixation



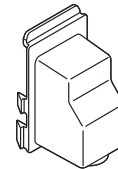
Cordon d'alimentation



Flexible d'arrivée



Tuyau de sortie



Capot de connecteur

3. DEBALLAGE

⚠ AVERTISSEMENT

Les enfants doivent être tenus à l'écart des éléments d'emballage (sacs en plastique et polystyrène expansé) car ils constituent des sources de danger potentielles.

⚠ ATTENTION

Ne pas soulever ou déplacer le carton en utilisant les sangles d'emballage.

En cas de déplacement de l'appareil à la main, retirer les panneaux et tenir le châssis de l'appareil.

Toujours porter des gants de protection lors du transport de l'appareil.

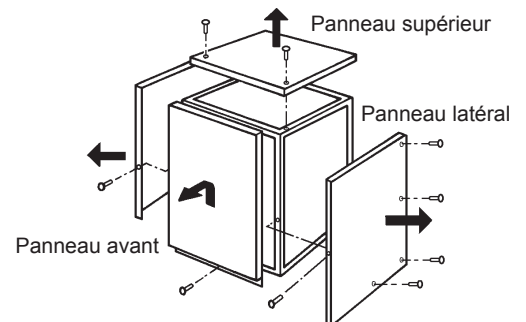
Lors de la manipulation du carton ou de l'appareil déballé, travailler à deux pour éviter les blessures.

AVIS

Enlever le carton de transport, le ruban adhésif et le matériel d'emballage. S'il reste des matériaux d'emballage dans la machine à glace, elle ne fonctionnera pas correctement.

Cette machine à glace doit être équipée d'un bac de stockage. Le bac de stockage recommandé est le HOSHIZAKI ICE STORAGE BIN, modèle B-300SD(PD) ou B-500SD(PD) avec le kit supérieur - 8C, B-700SD(PD) avec le kit supérieur - 22C, ou B-900SD(PD) avec le kit supérieur - 22C et le kit supérieur - 8C.

- Après avoir enlevé les matériaux d'emballage, vérifier que la machine à glace et le bac de stockage sont en bon état. En cas de doute, ne pas utiliser la machine à glace et faire appel à un technicien qualifié. Voir les instructions de déballage et d'installation de la machine qui sont fixées au bac de stockage.
- Retirer le ruban d'emballage retenant les panneaux.
- Retirer les panneaux avant, supérieur et latéraux.
- Retirer le paquet d'accessoires. Vérifier le contenu conformément à « 2. ACCESSOIRES ».



- Panneau supérieur : Déposer la vis. Soulever.
 Panneau avant : Déposer la vis. Soulever et tirer vers soi.
 Panneau latéral : Déposer les vis. Tirer légèrement vers soi.

- 5) Enlever le film protecteur en plastique des panneaux. Si la machine à glace a été exposée au soleil ou à la chaleur, la laisser refroidir avant d'enlever le film.

4. EMBLACEMENT

⚠ AVERTISSEMENT

Cette machine à glace n'est pas conçue pour être utilisée à l'extérieur.

La machine à glace ne doit pas être placée à proximité de fours, de grills ou de toute autre source de chaleur importante.

Cet appareil n'est pas conçu pour être installé dans une zone où un jet d'eau peut être utilisé.

⚠ ATTENTION

La machine à glace doit avoir une assise solide et horizontale.

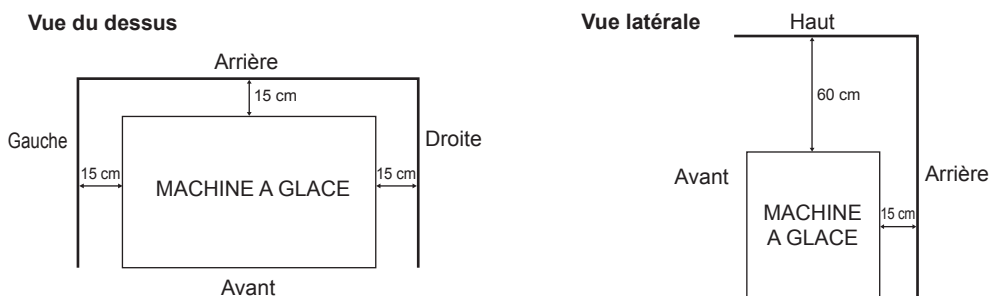
AVIS

Ne rien poser sur le dessus de la machine ni devant le volet d'aération.

IMPORTANT

La température ambiante normale de service doit être comprise entre 5 °C et 40 °C. Le raccordement à l'eau est uniquement pour de l'eau froide. Le fonctionnement de la machine en dehors de ces plages de températures, pendant des durées prolongées, risque d'affecter la capacité de production de glaçons.

Pour assurer une bonne circulation d'air et faciliter les opérations de maintenance ou d'entretien, prévoir le dégagement indiqué ci-dessous.



Dans certains environnements très humides, de la condensation peut se former à l'intérieur de la machine et couler sur le sol. Ne pas installer l'appareil sur un sol que l'eau pourrait endommager.

Eviter toute exposition prolongée de l'appareil à la lumière directe du soleil.

5. INSTALLATION

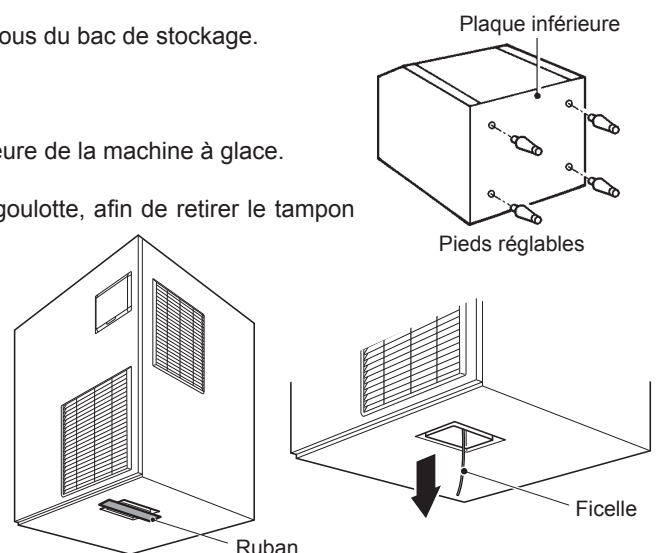
⚠ ATTENTION

Une installation incorrecte de la machine peut avoir des conséquences néfastes sur les personnes, les animaux ou d'autres choses, pour lesquelles le fabricant ne peut être tenu responsable.

- 1) Visser à fond les quatre pieds fournis (accessoires du bac) au dessous du bac de stockage.
- 2) Placer le bac de stockage sur le côté choisi pour son installation.
- 3) Retirer le ruban de l'ouverture de goulotte située sur la partie inférieure de la machine à glace.
- 4) Tirer vers le bas l'extrémité de la ficelle sortant de l'ouverture de goulotte, afin de retirer le tampon amortisseur.

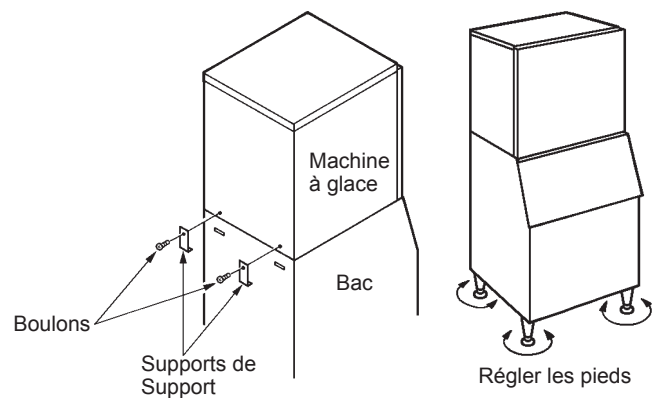
Remarque : Si la machine est mise sous tension alors que le tampon amortisseur se trouve encore à l'intérieur, la machine à glace ne démarre pas, et « BAC PLEIN » s'affiche à l'écran.

- 5) Placer la machine à glace au-dessus du bac de stockage en tenant sa partie inférieure.



FRANCAIS

- 6) Fixer la machine à glace sur le bac de stockage au moyen des deux supports de fixation et des deux boulons fournis.
- 7) Sceller le joint entre la machine à glace et le bac de stockage au moyen d'un mastic d'étanchéité répondant aux normes de l'industrie alimentaire.
- 8) Remettre les panneaux latéraux dans leur position correcte.
- 9) Régler les quatre pieds du bas (ils sont réglables de 0 à 25,4 mm) pour que la machine à glace soit parfaitement à l'horizontale. Utiliser pour cela le niveau à bulle.



6. BRANCHEMENTS ELECTRIQUES

⚠ AVERTISSEMENT

CET APPAREIL DOIT ETRE MIS A LA TERRE

Cette machine à glace doit avoir une mise à la terre qui respecte les réglementations électriques nationales et locales.

Pour éviter tout risque de décharges électriques graves ou de dégâts importants à l'appareil, installer un câble de mise à la terre approprié sur la machine.

Avant toute opération de maintenance, réparation ou nettoyage, débrancher l'alimentation électrique.

- * Cet appareil nécessite une alimentation 220 - 240 V CA 13 A séparée. L'alimentation électrique doit être protégée par un disjoncteur approprié.
- * En général, l'installation nécessite une autorisation pour travaux électriques et les services d'un électricien qualifié.
- * Si le cordon d'alimentation est endommagé, il doit être remplacé par un cordon de rechange disponible auprès des centres de pièces détachées et d'entretien Hoshizaki.

Pour le Royaume-Uni et la République d'Irlande uniquement

- * Les fils du cordon d'alimentation électrique présentent le codage couleur suivant :
 - Vert et jaune = Terre
 - Bleu = Neutre
 - Marron = Sous tension

La couleur des conducteurs du cordon d'alimentation de cet appareil peut ne pas correspondre au marquage couleur des bornes de votre fiche ; dans ce cas, procéder comme suit :

Le fil vert et jaune doit être relié à la borne de la fiche repérée par la lettre E ou par le symbole \equiv ou la couleur verte ou verte et jaune. Le conducteur bleu doit être raccordé à la borne portant la lettre N ou de couleur noire. Le conducteur marron doit être raccordé à la borne portant la lettre L ou de couleur rouge.

- * Si la fiche livrée avec la machine ne convient pas aux prises du local d'installation, l'enlever (la couper s'il s'agit d'une fiche moulée) et en monter une autre.

Une fiche non recâblable enlevée doit être jetée. Elle ne peut en aucun cas être réutilisée. L'insertion de ce type de fiche dans une autre prise présente des risques graves de décharges électriques.

- * La fiche non recâblable ne doit jamais être utilisée sans un protège-fusible.

Le numéro de référence du protège-fusible amovible est imprimé sur la fiche. Utiliser cette référence pour toute commande de pièce.

Il est possible de se procurer des protège-fusibles de remplacement auprès des centres de pièces détachées et d'entretien Hoshizaki.

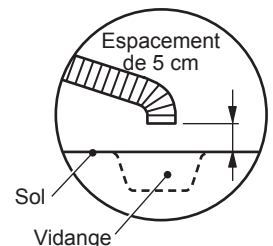
La capacité nominale des fusibles doit être de 13 A (FM-480) / 10 A (FM-300) ; ils doivent être agréés selon la norme BS 1362.

7. RACCORDEMENTS D'ARRIVEE ET DE VIDANGE D'EAU

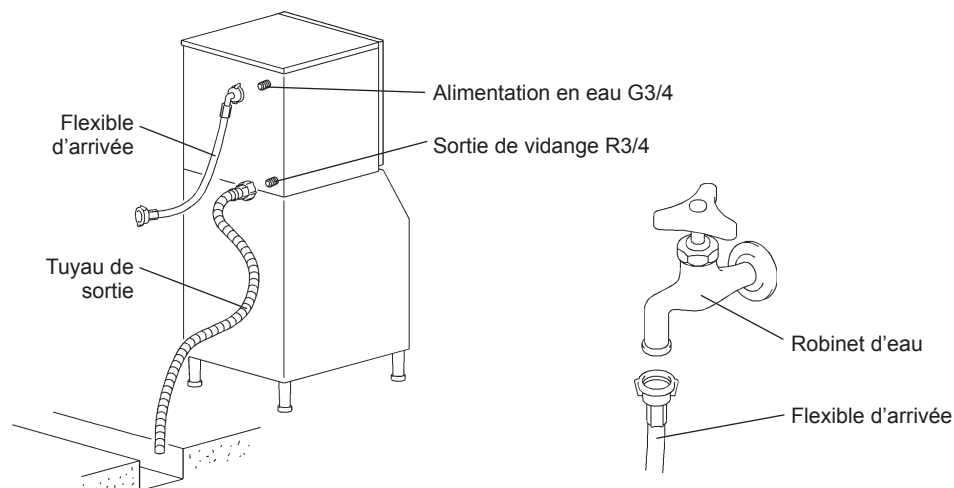
⚠ AVERTISSEMENT

Raccorder à l'arrivée d'eau potable froide uniquement.

- * Les raccordements à l'alimentation en eau du réseau doivent être réalisés conformément aux exigences nationales en vigueur des réglementations sur l'alimentation en eau ou les raccords.
- * L'eau utilisée pour la fabrication de la glace doit être potable. Là où la qualité de l'eau peut entraîner la formation de calcaire, l'installation d'un filtre externe ou d'un adoucisseur est recommandée. Contactez le professionnel du traitement de l'eau ou l'agent de service Hoshizaki local.
- * La pression de l'alimentation en eau doit être de 0,05 MPa (0,5 bar) au minimum et de 0,8 MPa (8 bar) au maximum. Si la pression dépasse 0,8 MPa (8 bar), utiliser un réducteur de pression approprié. Ne PAS réduire le débit du robinet d'alimentation.
- * Dans certaines régions, il est possible qu'il faille obtenir une autorisation pour effectuer les travaux de plomberie et avoir recours aux services d'un plombier autorisé.
- * La vidange d'eau de la machine à glace s'effectue par gravité : le tuyau de vidange doit donc avoir une inclinaison ou une hauteur de chute suffisantes.
- * Les tuyaux de vidange ne doivent pas être reliés directement à l'égout. L'extrémité des tuyaux de vidange de la machine à glace doit être espacée d'au moins 5 cm à la verticale par rapport au bac de stockage et à l'évacuation de sol.
- * Veiller à utiliser les jeux de tuyaux neufs fournis avec l'appareil. Ne pas réutiliser les anciens jeux de tuyaux.

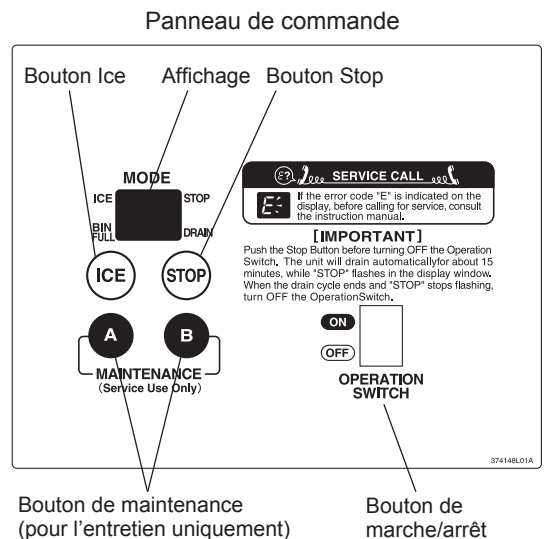


- 1) Raccorder l'extrémité coudée du tuyau d'arrivée d'eau (accessoire) au raccord G3/4 à l'arrière de la machine à glace comme indiqué en veillant à placer correctement la rondelle d'étanchéité en caoutchouc. Serrer manuellement de manière à obtenir un raccordement étanche.
- 2) Fixer l'autre extrémité du flexible d'arrivée au robinet d'eau, en veillant à ce que la rondelle soit correctement positionnée, avant de serrer manuellement comme ci-dessus. Il est prudent d'avoir un robinet d'arrêt à proximité.
- 3) Serrer à la main le tuyau de vidange gris (accessoire) au raccord R3/4 à l'arrière de la machine à glace comme indiqué en veillant à placer correctement la rondelle d'étanchéité en caoutchouc pour obtenir un joint étanche. Le tuyau peut être coupé à la longueur voulue en fonction de la position de vidange principale.



8. PROCEDURE DE MISE EN ROUTE

- 1) Vérifier que l'alimentation électrique est débranchée.
- 2) Mettre le bouton de marche/arrêt du panneau de commande sur « ON » (Marche).
- 3) Ouvrir le robinet d'alimentation en eau.
- 4) Brancher l'alimentation électrique et mettre l'appareil sous tension.
- 5) L'écran s'allume en mode « ICE ».
- 6) La séquence de mise en marche normale est la suivante :
 - a) Remplissage du réservoir d'eau.
 - b) Le moteur à engrenage démarre.
 - c) Le compresseur démarre.



▲ HYGIENE

Vérifier les conditions et la qualité de la production de glace.

Ne pas utiliser la glace produite durant l'essai. Elle pourrait être contaminée par des impuretés se trouvant dans le circuit d'eau. La jeter ou la vider dans le circuit de vidange.

Avant d'utiliser la machine, nettoyer le bac de stockage (voir « III. 1. NETTOYAGE » dans la notice d'utilisation).

9. DERNIERS CONTROLES

- 1) Vérifier la tension d'alimentation.
- 2) Vérifier que la machine à glace est correctement mise à la terre.
- 3) Vérifier que la machine à glace ne présente pas de vibrations.
- 4) Vérifier que tous les panneaux sont bien fixés.
- 5) Vérifier que la machine fonctionne correctement conformément à « 8. PROCEDURE DE MISE EN ROUTE ».
- 6) Vérifier que les connexions d'admission et de vidange d'eau ne présentent pas de fuites.
- 7) Indiquer à l'utilisateur comment utiliser correctement la machine. Donner la notice d'utilisation à l'utilisateur.

WICHTIGE SICHERHEITSHINWEISE

Dieses Handbuch enthält Hinweise, die Sie auf Situationen aufmerksam machen sollen, die Tod, schwere Verletzungen oder Geräteschäden verursachen können.

▲WARNUNG	Kennzeichnet eine gefährliche Situation, die, wenn sie nicht vermieden wird, zum Tod oder zu schweren Verletzungen führen kann.
▲VORSICHT	Kennzeichnet eine gefährliche Situation, die, wenn sie nicht vermieden wird, zu leichten oder mittleren Verletzungen führen kann.
HINWEIS	Kennzeichnet eine gefährliche Situation, die, wenn sie nicht vermieden wird, zu Geräteschäden führen kann.
▲HYGIENE	Kennzeichnet wichtige Maßnahmen für Hygiene und Lebensmittelsicherheit.
WICHTIG	Kennzeichnet wichtige Informationen zu Gebrauch und Pflege des Gerätes.

Das in diesem Eisbereiter verwendete HFC-freie Kältemittel (Propan) und der HFC-freie Isolierschaum sind ökologisch nachhaltig, nicht ozonschädigend und wirken sich nur wenig auf die globale Erwärmung aus.

▲WARNUNG	
Der Eisbereiter dieses Gerätes enthält entflammbares Kältemittel; Wartung und Befüllung dürfen deshalb nur von autorisierten Technikern ausgeführt werden.	
Das Kältemittel in diesem Eisbereiter ist entflammbar und im Kältesystem eingeschlossen. Obwohl das Kältemittel bei normalem Gebrauch nicht austritt, muss der Eisbereiter mit äußerster Sorgfalt gehandhabt werden, um das System in keiner Weise zu beschädigen.	
Falls das Kältesystem versehentlich beschädigt und dadurch Kältemittel freigesetzt wird:	
<ul style="list-style-type: none"> * in der Nähe keine Funkenquelle erzeugen * in der Nähe keine elektrischen Schalter betätigen oder Stecker verwenden * kein offenes Feuer verwenden * den Bereich sofort durch Öffnen von Türen und/oder Fenstern lüften * den Kundendiensttechniker rufen 	

WICHTIG	
Um das Produkt sicher und einwandfrei installieren zu können, sollten Sie vor der Installation diese Broschüre sorgfältig lesen und die darin enthaltenen Anweisungen befolgen.	
Schalten Sie nach Abschluss der Installation den Eisbereiter ein und überprüfen Sie ihn auf Unregelmäßigkeiten. Weisen Sie den Benutzer in Gebrauch und Instandhaltung des Eisbereiters entsprechend der Bedienungsanleitung ein.	
Diese Broschüre sollte dem Benutzer nach der Installation ausgehändigt und von diesem zusammen mit der Bedienungsanleitung aufbewahrt werden, damit bei Bedarf darin nachgelesen werden kann.	

⚠️ WARNUNG

Dies ist ein Eisbereiter für den gewerblichen Einsatz, der ausschließlich für den vorgesehenen Zweck zu benutzen ist.

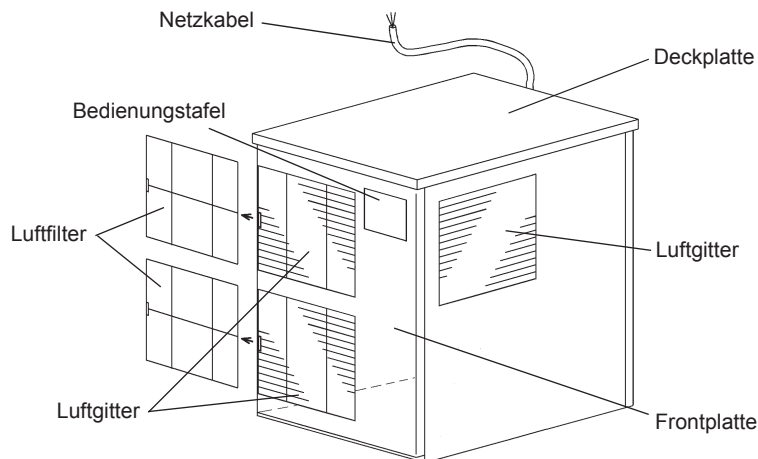
Jede andere Verwendung ist als Zweckentfremdung und somit als gefährlich anzusehen. Der Hersteller übernimmt keine Haftung oder Verantwortung für Schäden, die durch missbräuchliche, falsche oder unangemessene Verwendung verursacht werden.

Installation und erforderliche Standortverlegungen sind von qualifiziertem Personal in Übereinstimmung mit geltenden Vorschriften nach Angaben des Herstellers auszuführen.

Die Lüftungsöffnungen im Gerätegehäuse oder im Innern des Gerätes nicht blockieren.

Zum Beschleunigen des Abtauvorgangs ausschließlich die vom Hersteller empfohlenen mechanischen Geräte oder anderen Mittel verwenden.

1. KONSTRUKTION



2. ZUBEHÖR

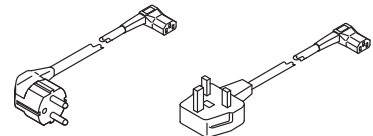
CD	1
Montagehalterung	2
Netzkaabel	1
Zulaufschlauch	1
Ablaufschlauch	1
Steckerabdeckung	1



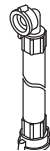
CD



Montagehalterung



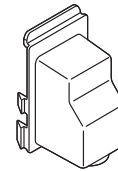
Netzkaabel



Zulaufschlauch



Ablaufschlauch



Steckerabdeckung

3. AUSPACKEN

⚠️ WARNUNG

Kinder sollten keinen Zugang zum Verpackungsmaterial (Kunststoffbeutel und Polystyrol) haben, da dieses eine mögliche Gefahrenquelle darstellt.

⚠️ VORSICHT

Den Karton nicht an den Transportbändern anheben oder tragen.

Wenn das Gerät manuell bewegt werden soll, die Platten entfernen und den Geräterahmen festhalten.

Beim Tragen des Gerätes stets Schutzhandschuhe tragen.

Um Verletzungen zu vermeiden, den Karton oder das ausgepackte Gerät immer zu zweit handhaben.

HINWEIS

Versandkarton, Bänder und anderes Verpackungsmaterial entfernen. Wenn Verpackungsmaterial in der Maschine gelassen wird, arbeitet diese nicht richtig.

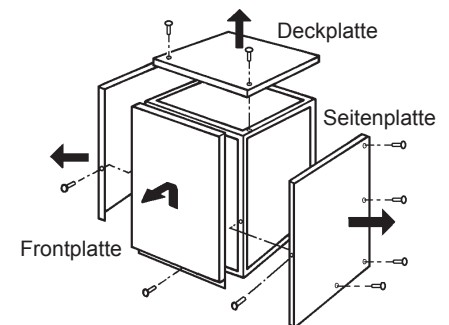
Dieser Eisbereiter braucht einen Vorratsbehälter. Der empfohlene Vorratsbehälter ist der HOSHIZAKI ICE STORAGE BIN, Modell B-300SD(PD) oder B-500SD(PD) mit Top-Ausrüstung - 8C, B-700SD(PD) mit Top-Ausrüstung - 22C, oder B-900SD(PD) mit Top-Ausrüstung - 22C und Top-Ausrüstung - 8C.

1) Nach dem Entfernen der Verpackung ist sicherzustellen, dass Eisbereiter und Vorratsbehälter in gutem Zustand sind. Im Zweifelsfall den Eisbereiter nicht verwenden, sondern qualifiziertes Fachpersonal hinzuziehen. Siehe Anleitungsblatt am Vorratsbehälter für Richtlinien zum Auspacken und zur Installation.

2) Das Transportband entfernen, das die Abdeckungen hält.

3) Die Front-, die obere und die Seitenplatten abnehmen.

4) Die Packung mit den Zubehörteilen herausnehmen. Den Inhalt anhand von „2. ZUBEHÖR“ prüfen.



Deckplatte: Schraube entfernen. Abheben.

Frontplatte: Schraube entfernen. Abheben und nach vorn ziehen.

Seitenplatte: Schrauben entfernen. Leicht nach vorn ziehen.

DEUTSCH

5) Die Schutzfolie von den Blenden entfernen. Wenn der Eisbereiter Sonne oder Wärme ausgesetzt ist, die Folie erst abziehen, nachdem der Eisbereiter abgekühlt ist.

4. AUFSTELLORT

⚠️ WARNUNG

Dieser Eisbereiter eignet sich nicht für den Gebrauch im Freien.

Der Eiswürfelbereiter darf nicht neben Öfen, Grills oder anderen Geräten aufgestellt werden, die Hitze erzeugen.

Dieses Gerät eignet sich nicht für die Aufstellung in Räumen, in denen ggf. ein Wasserstrahl benutzt wird.

⚠️ VORSICHT

Der Aufstellort für den Eisbereiter muss stabil und eben sein.

HINWEIS

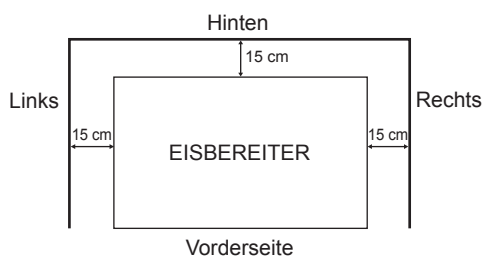
Keine Gegenstände auf die Deckplatte oder vor das Luftgitter des Eisbereiters stellen.

WICHTIG

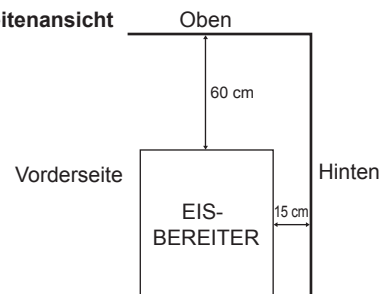
Für Normalbetrieb muss die Raumtemperatur zwischen 5 °C und 40 °C liegen. Der Wasseranschluss ist nur für kaltes Wasser. Längerer Gebrauch des Eisbereiters bei Temperaturen außerhalb dieser normalen Temperaturgrenzwerte kann die Produktionsleistung beeinträchtigen.

Die unten angegebenen Abstände einhalten, um eine optimale Luftzirkulation zu gewährleisten und die Wartung bzw. Pflege des Gerätes zu erleichtern.

Ansicht von oben



Seitenansicht



In Umgebungen mit hoher Feuchtigkeit kann sich Kondenswasser im Gerät bilden und auf den Boden tropfen. Das Gerät nicht auf Böden aufstellen, die durch Wasser beschädigt werden können.

Das Gerät nicht über längere Zeit direktem Sonnenlicht aussetzen.

5. INSTALLATION

⚠️ VORSICHT

Eine falsche Installation kann zu Verletzungen von Menschen und Tieren oder zu Sachschäden führen, für die der Hersteller nicht haftet.

1) Die vier mitgelieferten Beine (Behälterzubehör) ganz in die Unterseite des Vorratsbehälters hineinschrauben.

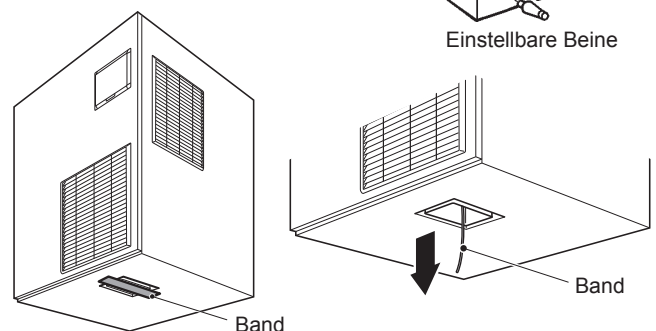
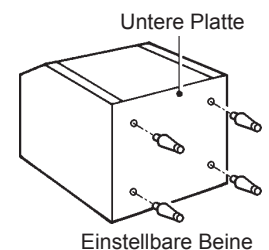
2) Den Vorratsbehälter in die ausgewählte, permanente Position bringen.

3) Das Band von der Eisschachtöffnung unten am Eisbereiter entfernen.

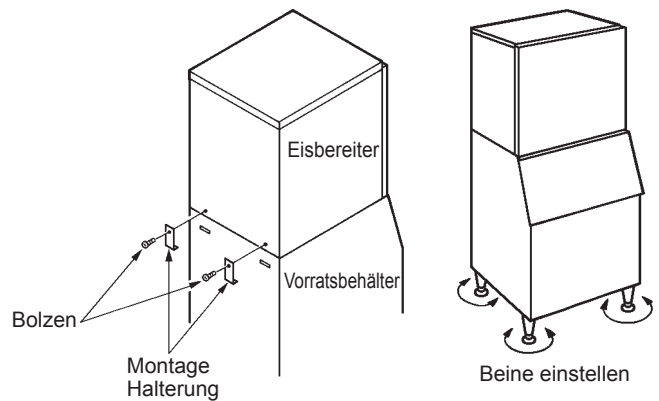
4) Das aus der Eisschachtöffnung heraushängende Band durch Herausziehen vollständig entfernen.

Hinweis: Wenn das Gerät eingeschaltet wird und sich der Dämpfer noch im Gerät befindet, startet der Eisbereiter nicht und in der Anzeige erscheint „BIN FULL“ (Behälter voll).

5) Den Eisbereiter über den Vorratsbehälter platzieren, während der untere Teil gehalten wird.



- 6) Den Eisbereiter mit den zwei Montagehalterungen und den zwei mitgelieferten Bolzen am Vorratsbehälter befestigen.
- 7) Den Spalt zwischen dem Eisbereiter und dem Vorratsbehälter mit einem Dichtmittel abdichten, das für Lebensmittel unbedenklich ist.
- 8) Die Seitenplatten wieder in ihre richtige Position montieren.
- 9) Die vier Beine (einstellbar von 0 - 25,4 mm) so einstellen, dass der Eisbereiter völlig horizontal steht. Eine Wasserwaage benutzen.



6. ELEKTRISCHE ANSCHLÜSSE

⚠ WARNUNG

DIESES GERÄT MUSS GEERDET WERDEN

Dieser Eisbereiter erfordert einen Schutzkontakt, der nationalen und lokalen Bestimmungen entspricht.

Um schwere Körperverletzungen und Gerätebeschädigungen infolge eines elektrischen Schlages zu vermeiden, ist ein ordnungsgemäßer Erdleiter am Eisbereiter anzubringen.

Die Stromversorgung ausschalten, bevor Wartungs-, Reparatur- oder Reinigungsarbeiten vorgenommen werden.

- * Dieses Gerät benötigt eine separate Stromversorgung mit 220-240 V~, 13 A. Die Stromversorgung muss mit einem geeigneten Leistungsschutzschalter gesichert werden.
- * In der Regel wird hierzu ein Elektriker mit entsprechender Qualifikation und Zulassung benötigt.
- * Ist das Netzkabel beschädigt, muss es durch ein vom Hoshizaki-Ersatzteil-/Kundendienst erhältliches Ersatzkabel ersetzt werden.

Nur für das Vereinigte Königreich und die Republik Irland

- * Die Drähte im Netzkabel sind nach dem folgenden Farbcode gekennzeichnet:

Grün & Gelb = Erde

Blau = Nullleiter

Braun = Spannungsführender Leiter

Die Farben der Adern im Netzkabel dieses Geräts stimmen möglicherweise nicht mit den Farbmarkierungen in Ihrem Stecker überein, daher bitte immer wie folgt vorgehen:

Der grün-gelbe Leiter ist an die Klemme anzuschließen, die mit dem Buchstaben E oder dem Symbol \perp bzw. grün oder gelb-grün markiert ist. Die blaue Ader ist an die Klemme anzuschließen, die mit dem Buchstaben N oder schwarz markiert ist. Die braune Ader ist an die Klemme anzuschließen, die mit dem Buchstaben L oder rot markiert ist.

- * Falls der mit dem Gerät gelieferte Stecker für die Netzsteckdose am Installationsort ungeeignet ist, muss er entfernt (bzw. wenn er verkapselt ist, abgeschnitten) und durch einen passenden Stecker ersetzt werden.

Ein abgeschnittener, verkapselter (nicht zugänglicher Stecker) muss entsorgt werden. Versuchen Sie nicht, ihn wiederzuverwenden. Durch die Verwendung eines solchen Steckers in einer anderen Steckdose besteht die Gefahr eines elektrischen Schlags.

- * Der verkapselte Stecker ist nie ohne angebrachte Sicherungsabdeckung zu verwenden.

Der richtige Ersatz für die abnehmbare Sicherungsabdeckung lässt sich anhand der Hersteller-Referenznummer ermitteln, die auf den Stecker gestanzt ist.

Ersatzabdeckungen für Sicherungen sind von Hoshizaki-Ersatzteil-/Service-Zentren erhältlich.

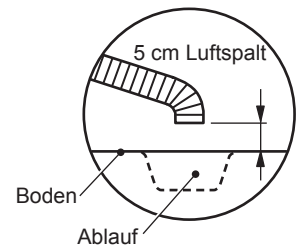
Es sind Sicherungen 13 A (FM-480) / 10 A (FM-300) zu verwenden, die die Norm BS 1362 erfüllen.

7. WASSERZULAUF- UND WASSERABLAUFANSCHLÜSSE

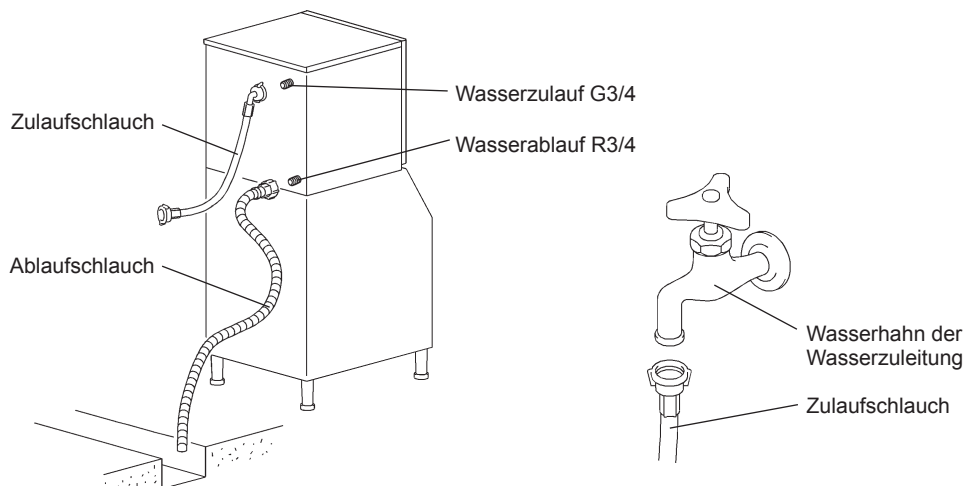
⚠️ WARNUNG

Nur an die kalte Trinkwasserversorgung anschließen.

- * Die Anschlüsse an die Hauptwasserversorgung müssen entsprechend den Anforderungen der aktuellen Wasserversorgungs- oder Wasseranschlussbestimmungen ausgeführt werden.
- * Wasser für die Eisbereitung muss Trinkwasser sein. Wo Ablagerungen aufgrund der Wasserqualität entstehen können, es wird die Installation eines externen Filters oder Weichmachers empfohlen. Wenden Sie sich an Ihren örtlichen Wasseraufbereitungsspezialisten oder an den Hoshizaki-Kundendienst.
- * Der Druck in der Wasserzufuhrleitung muss mindestens 0,05 MPa (0,5 bar) und darf höchstens 0,8 MPa (8 bar) betragen. Bei einem höheren Druck als 0,8 MPa (8 bar) ist ein geeignetes Druckreduzierventil zu verwenden. Der Wasserzulauf am Hahn selbst darf **NICHT** gedrosselt werden.
- * In bestimmten Gebieten sind eine Installationsgenehmigung und der Anschluss durch einen zugelassenen Installateur erforderlich.
- * Der Abfluss des Wassers aus dem Eisbereiter erfolgt durch Schwerkraft, daher ist auf ein ausreichendes Gefälle des Ablaufschlauchs zu achten.
- * Die Verrohrung von Ablaufleitungen sollte nicht direkt in das Abwassersystem führen. Vom Ablaufschlauchende des Eisbereiters und des Vorratsbehälters sollte mindestens ein 5 cm hoher vertikaler Luftspalt zum Bodenablauf verbleiben.
- * Immer die mit dem Gerät gelieferte neue Schlauchgarnitur verwenden. Keine alten Schlauchgarnituren wiederverwenden.

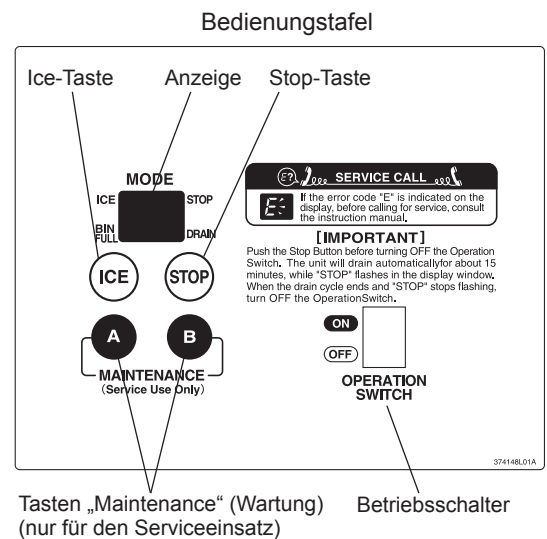


- 1) Abgewinkeltes Ende des flexiblen Zulaufschlauches (Zubehör) auf den G3/4-Anschluss an der Rückseite des Eisbereiters schrauben. Dabei darauf achten, dass die Gummidichtung richtig liegt. Mit der Hand so anziehen, dass die Verbindung dicht ist.
- 2) Das andere Ende des Zulaufschlauches an den Wasserhahn schrauben, dabei wie oben darauf achten, dass die Gummidichtung richtig liegt, und mit der Hand festziehen. Vorsichtshalber sollte das Absperrventil in Reichweite sein.
- 3) Den grauen, flexiblen Ablaufschlauch (Zubehör) mit der Hand auf den R3/4-Anschluss auf der Rückseite des Eisbereiters festschrauben (siehe Abbildung). Dabei darauf achten, dass die Gummidichtung richtig liegt, damit die Verbindung dicht ist. Das Rohr lässt sich auf die richtige Länge, d. h. der Position des Hauptabflusses entsprechend, zuschneiden.



8. START-VERFAHREN

- 1) Überprüfen Sie, dass das Netzkabel nicht eingesteckt ist.
- 2) Den Betriebsschalter an der Bedienungsfläche auf die Position „ON“ stellen.
- 3) Wasserhahn der Wasserzulaufleitung öffnen.
- 4) Gerät mit dem Netz verbinden und einschalten.
- 5) Die Anzeige leuchtet im „ICE“-Modus auf.
- 6) Nun sollte folgende Sequenz ablaufen:
 - a) Wasservorratsbehälter wird gefüllt.
 - b) Getriebemotor startet.
 - c) Der Verdichter läuft an.



HYGIENE

Prüfen Sie die Bedingungen und die Qualität der Eisherstellung.

Das Eis aus dem Testlauf nicht verwenden. Es könnte durch Fremdstoffe im Wasserkreislauf kontaminiert sein. Das Eis wegwerfen oder den Abfluss hinunterspülen.

Vorratsbehälter vor der Verwendung reinigen (siehe „III. 1. REINIGEN“ in der Betriebsanleitung).

9. ABSCHLUSSTESTS

- 1) Auf richtige Versorgungsspannung prüfen.
- 2) Prüfen, dass der Eisbereiter ordnungsgemäß geerdet ist.
- 3) Prüfen, dass der Eisbereiter nicht vibriert.
- 4) Prüfen, dass alle Abdeckplatten fest und sicher sitzen.
- 5) Auf einwandfreien Betrieb prüfen, entsprechend „8. START-VERFAHREN“.
- 6) Wasserzulauf- und Wasserablaufanschlüsse auf Undichtigkeit prüfen.
- 7) Den Benutzer in den richtigen Gebrauch des Gerätes einweisen. Dem Benutzer die Bedienungsanleitung aushändigen.

NEDERLANDS

BELANGRIJKE VEILIGHEIDSINFORMATIE

Overal in deze handleiding treft u opmerkingen aan die uw aandacht willen vestigen op situaties die zouden kunnen resulteren in overlijden, ernstig letsel of schade aan de machine.

▲WAARSCHUWING	Geeft een gevaarlijke situatie aan die, als deze niet wordt vermeden, zou kunnen resulteren in overlijden of ernstig letsel.
▲VOORZICHTIG	Geeft een gevaarlijke situatie aan die, als deze niet wordt vermeden, zou kunnen resulteren in licht of middelzwaar letsel.
LET OP	Geeft een gevaarlijke situatie aan die, als deze niet wordt vermeden, zou kunnen resulteren in schade aan de machine.
▲HYGIËNE	Geeft belangrijke voorzorgsmaatregelen aan met betrekking tot de hygiëne en voedselveiligheid.
BELANGRIJK	Geeft belangrijke informatie aan over het gebruik en de verzorging van de machine.

Deze ijsmachine gebruikt een HFC-vrij koelmiddel (propan) en HFC-vrije schuimisolatie; deze stoffen zijn niet schadelijk voor de ozonlaag, zijn duurzaam en hebben een zeer beperkt aardopwarmingsvermogen.

▲WAARSCHUWING
Het koelsysteem van deze ijsmachine bevat ontvlambaar koelmiddel; onderhoud en bijvullen mogen daarom uitsluitend worden uitgevoerd door erkende technici.
Het koelmiddel in deze ijsmachine is ontvlambaar en verzegeld in het koelsysteem. Hoewel het koelmiddel onder normale omstandigheden niet lekt, dient u de ijsmachine met de grootste mogelijke zorg te behandelen om te voorkomen dat u het systeem beschadigt.
In het geval van onopzettelijke schade aan het koelsysteem waardoor koelmiddel weglekt: * Creëer geen ontstekingsbron in de buurt. * Bedien geen elektrische schakelaars of stopcontacten in de buurt. * Gebruik geen naakte vlam. * Ventileer de ruimte direct door het openen van deuren en/of ramen. * Bel een servicetechnicus.

BELANGRIJK
Lees dit boekje zorgvuldig door vóór de installatie en volg de opgenomen instructies nauwgezet op om een veilige en correcte installatie van het product te waarborgen.
Start, nadat de installatie is voltooid, de ijsmachine op om te controleren op afwijkingen. Geef de gebruiker instructies voor het gebruik en onderhoud van de ijsmachine in overeenstemming met de instructiehandleiding.
Dit boekje moet na de installatie aan de gebruiker worden overhandigd, die het bij de gebruiksaanwijzing moet bewaren voor eventueel toekomstig gebruik.

▲ WAARSCHUWING

Dit is een ijsmachine voor commerciële doeleinden en dit apparaat dient uitsluitend te worden gebruikt voor de toepassingen waarvoor het is ontworpen.

Enige andere vorm van gebruik wordt als ongeschikt en dus gevaarlijk beschouwd. De fabrikant kan niet aansprakelijk of verantwoordelijk worden gesteld voor enige schade die ontstaat door ongeschikt, incorrect en onredelijk gebruik.

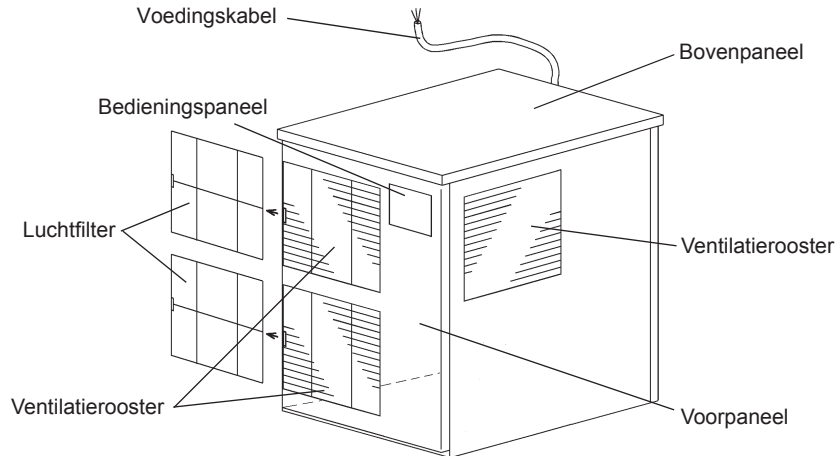
De installatie en eventuele verplaatsing van de ijsmachine mag uitsluitend door gekwalificeerd personeel en overeenkomstig de plaatselijk geldende voorschriften worden uitgevoerd, waarbij de instructies van de fabrikant dienen te worden gevolgd.

Houd ventilatieopeningen, zowel in de behuizing van de machine als in de inbouwstructuur, vrij van obstakels.

Gebruik geen mechanische apparaten of andere methoden om het ontdooiproces te versnellen dan de methoden die door de fabrikant worden aanbevolen.

NEDERLANDS

1. CONSTRUCTIE



2. TOEBEHOREN

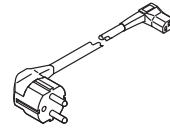
Cd	1
Bevestigingsbeugel	2
Voedingskabel	1
Toevoerslang	1
Afvoerslang	1
Connectorpaneel	1



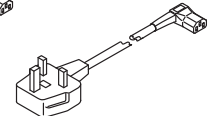
Cd



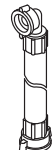
Bevestigingsbeugel



Voedingskabel



Connectorpaneel



Toevoerslang



Afvoerslang

3. UITPAKKEN

⚠ WAARSCHUWING

Kinderen moeten buiten het bereik van het verpakkingsmateriaal (plastic zakken en geëxpandeerd polystyreen) worden gehouden aangezien dit mogelijke bronnen van gevaar zijn.

⚠ VOORZICHTIG

Til de doos niet op en verplaats deze niet met behulp van de transportbanden.

Wanneer u het apparaat handmatig verplaatst, dient u de panelen te verwijderen en het frame van de ijsmachine vast te houden.

Draag altijd beschermende handschoenen bij het dragen van de machine.

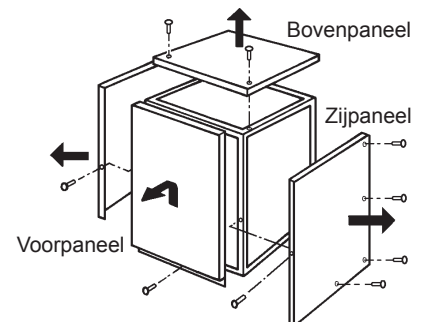
Werk met zijn tweeën bij het verplaatsen van de doos of de uitgepakte machine om letsel te voorkomen.

LET OP

Verwijder kartonnen doos, tape en ander verpakkingsmateriaal. Als er verpakkingsmateriaal achterblijft in de ijsmachine, werkt deze niet goed.

Deze ijsmachine heeft een bunker nodig. De aanbevolen bunker is de HOSHIZAKI ICE STORAGE BIN, model B-300SD(PD) of B-500SD(PD) met top kit - 8C, B-700SD(PD) met top kit - 22C of B-900SD(PD) met top kit - 22C en top kit - 8C.

- 1) Controleer, nadat u de verpakking hebt verwijderd, of de ijsmachine en de bunker in goede staat verkeren. Gebruik de ijsmachine niet in geval van twijfel, maar raadpleeg bevoegd servicepersoneel. Raadpleeg het instructieblad dat bij de bunker is gevoegd voor richtlijnen bij het uitpakken en installeren.
- 2) Verwijder de transporttape waarmee de panelen zijn bevestigd.
- 3) Verwijder de voor-, boven- en zijpanelen.
- 4) Verwijder het pakket met de accessoires. Controleer de inhoud aan de hand van "2. TOEBEHOREN".



- Bovenpaneel: Verwijder de schroef. Verwijder het paneel.
- Voorpaneel: Verwijder de schroef. Til het paneel omhoog en trek het naar u toe.
- Zijpaneel: Verwijder de schroeven. Trek het paneel iets naar u toe.

- 5) Verwijder de beschermende kunststoffilm van de panelen. Als de ijsmachine is blootgesteld aan de zon of aan hitte, verwijdert u de folie nadat de ijsmachine is afgekoeld.

4. PLAATSING

⚠ WAARSCHUWING

Deze ijsmachine is niet bestemd voor gebruik buitenshuis.

De ijsmachine mag niet naast een oven, grill of andere apparatuur die veel warmte afgeeft worden geplaatst.

Deze machine is niet geschikt om in een ruimte te worden geïnstalleerd die met een waterstraal wordt schoongespoten.

⚠ VOORZICHTIG

De ijsmachine moet waterpas op een stevige ondergrond worden geplaatst.

LET OP

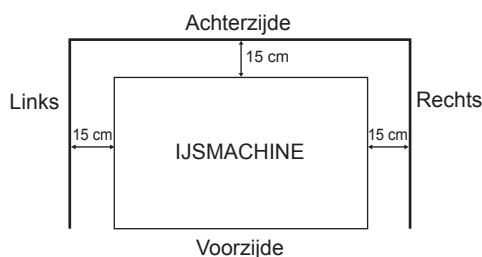
Plaats geen andere apparaten of voorwerpen bovenop de ijsmachine of voor de ventilatieopening.

BELANGRIJK

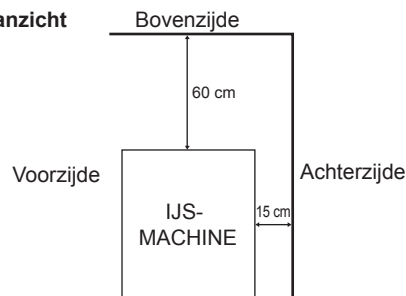
De normale omgevingstemperatuur bij bedrijf moet tussen 5 °C en 40 °C liggen. Er mag uitsluitend koud water worden toegevoerd. Bediening van de ijsmachine gedurende langere perioden buiten dit normale temperatuurbereik kan de productiecapaciteit beïnvloeden.

Houd aan de bovenkant de vrije ruimte aan die hieronder staat vermeld. Dit zorgt voor een optimale luchtcirculatie en vergemakkelijkt onderhouds- en/of reparatiewerkzaamheden.

Bovenaanzicht



Zijaanzicht



In sommige zeer vochtige omgevingen kan condensvorming optreden in de machine die vervolgens op de vloer druipet. Installeer de ijsmachine niet in een ruimte waar de vloer kan worden aangetast door water.

Voorkom langdurige blootstelling van de machine aan direct zonlicht.

5. INSTALLATIE

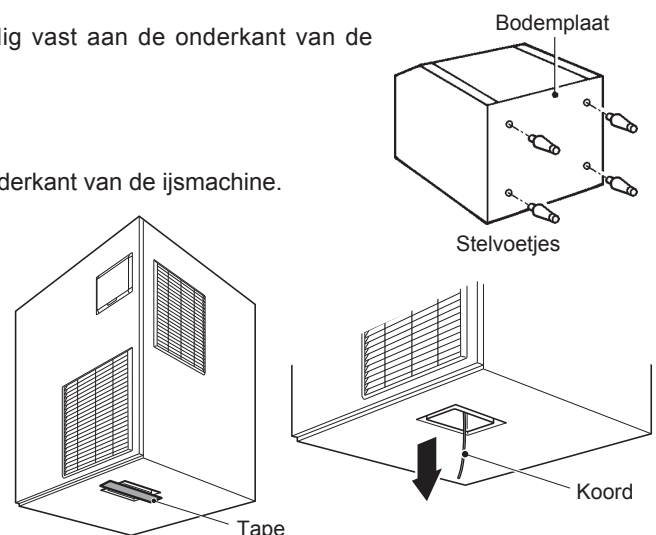
⚠ VOORZICHTIG

Onjuiste installatie van de ijsmachine kan schade toebrengen aan mens, dier en omgeving. De fabrikant aanvaardt geen aansprakelijkheid voor schade en/of letsel ten gevolge van het onjuist installeren van de machine.

- 1) Draai de vier meegeleverde voetjes (bunkeraccessoire) volledig vast aan de onderkant van de bunker.
- 2) Plaats de bunker op de geselecteerde permanente locatie.
- 3) Verwijder de tape van de opening van de uitvalschacht aan de onderkant van de ijsmachine.
- 4) Trek het uiteinde van het koord dat uit de opening van de uitvalschacht steekt omlaag om het hele stootrubber te verwijderen.

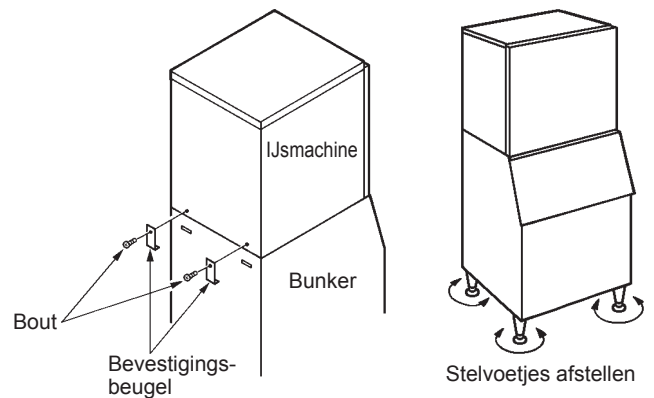
Opmerking: als de stroomtoevoer wordt ingeschakeld terwijl het stootrubber is achtergebleven, start de ijsmachine niet en wordt "BUNKER VOL" weergegeven op het display.

- 5) Plaats de ijsmachine bovenop de bunker. Houd de ijsmachine hierbij aan de onderkant vast.



NEDERLANDS

- 6) Bevestig de ijsmachine aan de bunker met behulp van de twee bevestigingsbeugels en de twee bouten die zijn meegeleverd.
- 7) Dicht de naad tussen de ijsmachine en de bunker af met een afdichtmiddel dat geschikt is voor gebruik in de buurt van voedingsmiddelen.
- 8) Plaats de zijpanelen terug.
- 9) Stel de vier voetjes aan de onderkant (instelbaar van 0 tot 25,4 mm) zodanig af dat de ijsmachine volledig horizontaal staat. Gebruik de waterpas.



6. ELEKTRISCHE AANSLUITINGEN

⚠ WAARSCHUWING

DEZE MACHINE MOET WORDEN GEAARD

Deze ijsmachine moet worden geaard volgens de geldende voorschriften.

Ter voorkoming van ernstig persoonlijk letsel en materiële schade als gevolg van elektrische schokken, dient deze ijsmachine te worden voorzien van een correct aangebrachte aardleiding.

Verwijder de stekker uit het stopcontact voordat u onderhouds-, reparatie- of reinigingswerkzaamheden gaat uitvoeren.

- * Deze machine vereist een aparte voeding van 220 - 240 V wisselstroom, 13 A. Het stopcontact moet worden beschermd door een geschikte stroomonderbreker.
- * Normaalgesproken dient men te beschikken over de juiste vergunningen en/of de hulp in te roepen van een erkend elektricien.
- * Als de voedingskabel beschadigd is, moet deze worden vervangen door een vervangende kabel die verkrijgbaar is bij de onderdelen- en servicecentra van Hoshizaki.

Alleen voor het Verenigd Koninkrijk en Ierland:

- * De draden van de netvoeding hebben een kleurcode:
 - Groen/geel = Aarde
 - Blauw = Neutraal
 - Bruin = Stroomvoerend

Als de gekleurde draden in de voedingskabel van deze machine zijn aangesloten op stekkerpolen met een afwijkende kleur, dient u het volgende te doen:

Sluit de groen/gele draad in de stekker aan op de groen/gele of groene stekkerpool of anders op de stekkerpool die is aangeduid met de letter E of het symbool \perp . Sluit de blauwe draad aan op de zwarte stekkerpool of op de stekkerpool die is aangeduid met de letter N. Sluit de bruine draad aan op de rode stekkerpool of op de stekkerpool die is aangeduid met de letter L.

- * Als het stopcontact waarop u de ijsmachine wilt aansluiten niet geschikt is voor de stekker die aan de voedingskabel van de ijsmachine zit, dient de stekker te worden verwijderd (een gegoten stekker wordt afgesneden) en vervangen door een geschikte stekker.

De gegoten stekker die van de voedingskabel is afgesneden, moet worden weggegooid. Hij mag niet opnieuw worden gebruikt. Wanneer deze stekker elders in een stopcontact wordt gestoken, zorgt dit voor een groot risico van elektrische schokken.

- * De gegoten stekker mag uitsluitend in combinatie met een zekeringhouder worden gebruikt.

Het referentienummer van de fabrikant is in de stekker ingeslagen. In geval u de zekeringhouder vervangt, dient een vervangend exemplaar van hetzelfde type te worden gebruikt.

Zekeringhouders zijn te verkrijgen via de onderdelen- en servicecentra van Hoshizaki.

Gebruik zekeringen van 13A (FM-480)/10A (FM-300) die zijn goedgekeurd volgens BS 1362.

7. AANSLUITING VAN WATERTOEOVOER- EN WATERAFVOERLEIDINGEN

▲ WAARSCHUWING

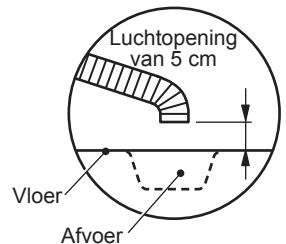
Mag alleen worden aangesloten op een drinkwaterleiding voor koud water.

- * De aansluitingen aan de drinkwaterleiding moeten worden uitgevoerd in overeenstemming met de huidige vereisten van het land in de regelgeving met betrekking tot watertoevoer of -accessoires.
- * Het water om ijs mee te maken moet drinkwater zijn. Waar vorming van ketelsteen kan optreden ten gevolge van de waterkwaliteit, installatie van een extern filter of zachtmaker wordt aanbevolen. Neem contact op met uw plaatselijke waterbehandelingsspecialist of Hoshizaki-servicebedrijf.
- * De watertoevoerdruk moet tenminste 0,05 MPa (0,5 bar) bedragen en mag niet hoger dan 0,8 MPa (8 bar) zijn. Als de waterdruk hoger is dan 0,8 MPa (8 bar), moet gebruik worden gemaakt van een reduceerventiel. De watertoevoer kraan mag voor dit doel **NIET** gedeeltelijk worden dichtgedraaid.
- * In sommige gebieden kan een loodgietersvergunning of het inschakelen van een erkend loodgieter verplicht zijn.

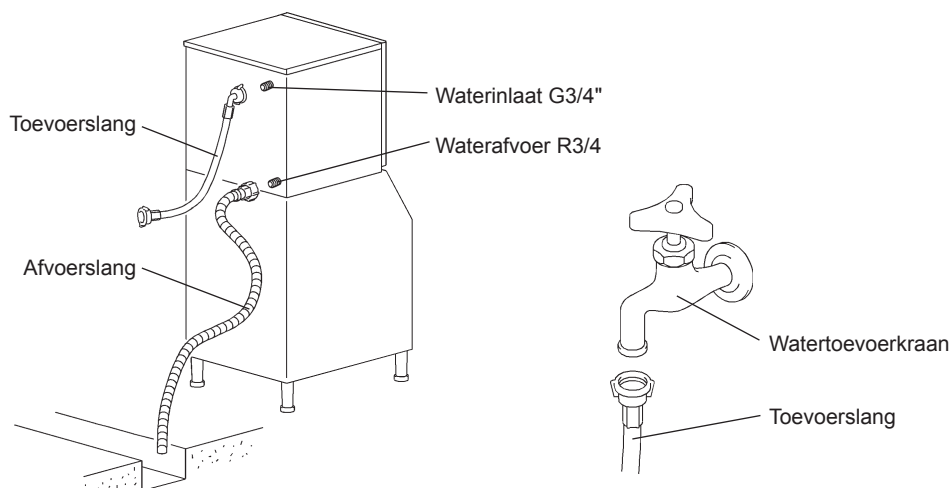
* De waterafvoer van de ijsmachine stroomt onder natuurlijk verval; de afvoerslang moet dus voldoende verval hebben.

* Afvoerleidingen mogen niet rechtstreeks op de riolering worden aangesloten. Houd een verticale luchtopening van minimaal 5 cm aan tussen het uiteinde van de afvoerslangen van ijsmachine en bunker en de vloerafvoer.

* Gebruik de nieuwe slangensets die met het apparaat zijn meegeleverd. Gebruik oude slangensets niet opnieuw.



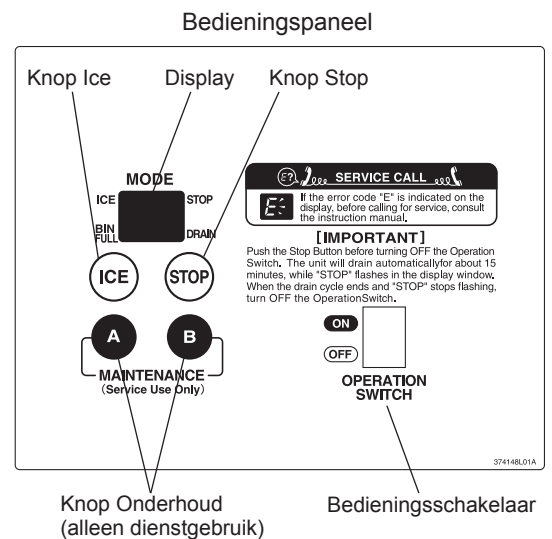
- 1) Bevestig het gebogen uiteinde van de flexibele toevoerslang (meegeleverd) aan de G 3/4"-aansluiting aan de achterzijde van de ijsmachine zoals weergegeven. Let er daarbij op dat de rubber afstandsring goed is aangebracht. Voorkom lekkage door de aansluiting handvast aan te draaien.
- 2) Bevestig het andere uiteinde van de toevoerslang aan de waterkraan. Zorg ervoor dat de afdichtring goed is aangebracht voordat u de aansluiting handvast aandraait. Het verdient aanbeveling een afsluitkraan te monteren op een goed bereikbare plek.
- 3) Bevestig de flexibele grijze afvoerslang (meegeleverd) aan de R3/4"-aansluiting aan de achterzijde van de ijsmachine zoals weergegeven en draai deze handvast aan. Let er daarbij op dat de rubberen afstandsring goed is aangebracht om lekkage te voorkomen. De slang kan zondig op lengte worden gesneden voor een passende aansluiting op de hoofdafvoer.



NEDERLANDS

8. OPSTARTPROCEDURE

- 1) Controleer of het stroomsnoer uit het stopcontact is verwijderd.
- 2) Zet de bedieningsschakelaar op het bedieningspaneel in de stand "ON".
- 3) Draai de watertoevoerkraan open.
- 4) Sluit de netvoeding aan en schakel de ijsmachine in.
- 5) Het display geeft de modus "ICE" weer.
- 6) Nu gebeurt achtereenvolgens het volgende:
 - a) Het waterreservoir loopt vol.
 - b) De aandrijfmotor start.
 - c) De compressor start.



▲ HYGIËNE

Controleer de kwaliteit van het geproduceerde ijs.

Het ijs dat tijdens het testen van de ijsmachine is geproduceerd, mag niet worden gebruikt voor consumptie. Het is mogelijk verontreinigd met deeltjes afkomstig uit het watercircuit. Gooi het ijs weg in de afvoer.

Maak voor ingebruikname van de ijsmachine eerst de bunker schoon (zie "III. 1. SCHOONMAKEN" in de instructiehandleiding).

9. LAATSTE CONTROLES

- 1) Controleer op de juiste spanning.
- 2) Controleer of de ijsmachine juist geaard is.
- 3) Controleer of de ijsmachine trillingvrij is.
- 4) Controleer of alle panelen zijn aangebracht en vastzitten.
- 5) Controleer de juiste werking aan de hand van "8. OPSTARTPROCEDURE".
- 6) Controleer de watertoevoer en de slangaansluitingen op lekkage.
- 7) Geef de gebruiker instructies met betrekking tot het juiste gebruik van de machine. Overhandig de instructiehandleiding aan de gebruiker.

INFORMACIÓN IMPORTANTE DE SEGURIDAD

A lo largo de este manual aparecerán avisos para llamar su atención sobre situaciones que podrían tener como consecuencia la muerte, heridas graves o daños en la unidad.

▲ADVERTENCIA	Indica una situación peligrosa que, de no evitarse, podría tener como resultado la muerte o heridas graves.
▲ATENCIÓN	Indica una situación peligrosa que, de no evitarse, podría tener como resultado heridas leves o moderadas.
AVISO	Indica una situación peligrosa que, de no evitarse, podría tener como resultado daños en la unidad.
▲HIGIENE	Indica precauciones importantes para la higiene y la seguridad de la comida.
IMPORTANTE	Indica información importante acerca del uso y el cuidado de la unidad.

Esta máquina de hielo utiliza refrigerante (propano) y aislamiento de espuma sin HFC, ambos ecológicamente sostenibles; lo que significa que no contribuyen de modo negativo a la reducción de la capa de ozono ni potencian el calentamiento global.

▲ADVERTENCIA
Esta máquina de hielo contiene refrigerante inflamable en la unidad de refrigeración. Solamente técnicos autorizados deben encargarse de su mantenimiento y recarga.
El refrigerante que contiene esta máquina de hielo es inflamable y se halla aislado de modo estanco en el sistema de refrigeración. A pesar de que el riesgo de fugas de refrigerante durante el uso normal sea mínimo, extreme las precauciones al manipular la máquina de hielo para evitar causar daños al sistema.
En caso de daños accidentales en el sistema de refrigeración que provoquen una fuga de refrigerante: * No cree una fuente de ignición en la zona. * No utilice interruptores eléctricos o enchufes en la zona. * No utilice una llama descubierta. * Ventile el área de forma inmediata abriendo puertas y ventanas. * Llame al ingeniero del servicio técnico.

IMPORTANTE
Para realizar la instalación del producto de modo seguro y efectivo, lea previamente este folleto con atención y siga sus instrucciones.
Una vez finalizada la instalación, inicie la máquina de hielo para asegurarse de que está todo correcto. Indique al usuario cómo utilizar y mantener la máquina de hielo de acuerdo con el manual de instrucciones.
Este folleto deberá entregarse al usuario al finalizar la instalación para que lo guarde junto con el manual de instrucciones para cualquier consulta que sea necesaria.

▲ADVERTENCIA

Esta máquina de hielo comercial solo debe utilizarse para los fines para los que ha sido expresamente diseñada.

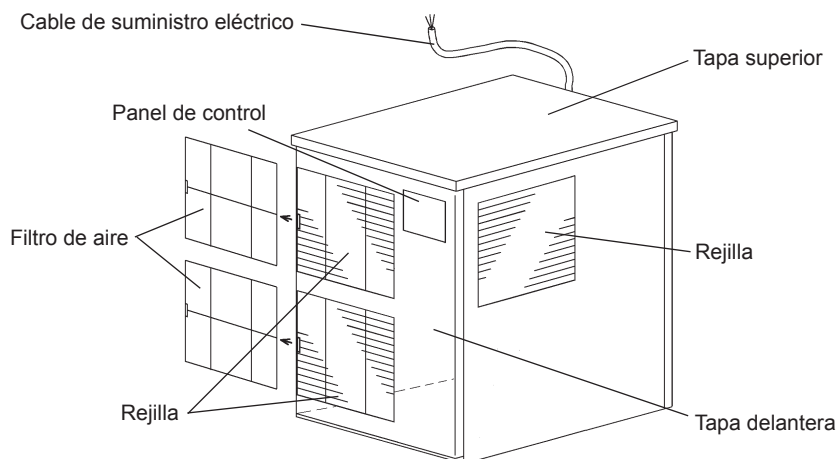
Cualquier otra utilización deberá considerarse inadecuada y, por lo tanto, potencialmente peligrosa. El fabricante no será responsable de ningún daño causado por un uso incorrecto, inadecuado o irracional.

La instalación y, si fuera necesario, la reubicación, deben ser realizadas únicamente por personal cualificado, de acuerdo con la normativa vigente y con las instrucciones del fabricante.

Mantenga los orificios de ventilación, de la carcasa de la máquina o de la estructura integrada, libres de cualquier obstrucción.

No haga uso de dispositivos mecánicos ni de otros medios distintos de los recomendados por el fabricante para acelerar el proceso de descongelación.

1. CONSTRUCCIÓN



2. ACCESORIOS

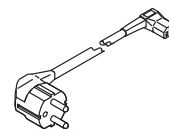
CD	1
Soporte de montaje	2
Cable de suministro eléctrico	1
Manguera de entrada	1
Manguera de salida	1
Tapa del conector	1



CD



Soporte de montaje



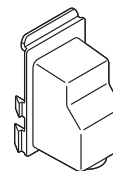
Cable de suministro eléctrico



Manguera de entrada



Manguera de salida



Tapa del conector

3. DESEMBALAJE

⚠ ADVERTENCIA

No deje al alcance de los niños el material de embalaje (bolsas de plástico y poliestireno expandido), ya que son fuentes potenciales de peligro.

⚠ ATENCIÓN

No levante ni manipule el cartón usando las cintas de embalaje.

Cuando desplace la unidad con la mano, desmonte las tapas y sujete el marco de la misma.

Lleve siempre guantes protectores al transportar la unidad.

Cuando vaya a manipular el cartón o la unidad desembalada, hágalo con la ayuda de otra persona para evitar daños.

AVISO

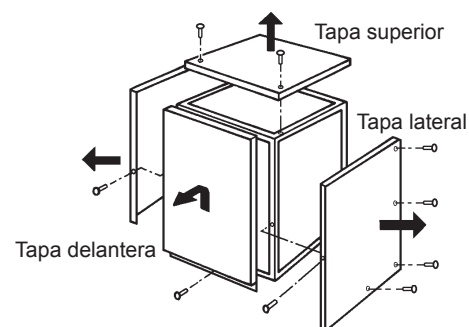
Retire el cartón, la(s) cinta(s) y el embalaje de expedición. La máquina de hielo no funcionará correctamente si no se quita el material de embalaje.

Esta máquina de hielo necesita una cuba de almacenamiento. La cuba de almacenamiento recomendada es la CUBA DE ALMACENAMIENTO DE HOSHIZAKI, Modelo B-300SD(PD) o B-500SD(PD) con equipo en la parte superior - 8C, B-700SD(PD) con equipo en la parte superior - 22C, o B-900SD(PD) con equipo en la parte superior - 22C y equipo en la parte superior - 8C.

1) Una vez que haya quitado el embalaje asegúrese de que la máquina de hielo y la cuba de almacenamiento estén en buen estado. En caso de duda, no use la máquina de hielo y consulte a profesionales cualificados. Para los procedimientos de instalación y desembalaje véase la hoja de instrucciones que acompaña a la cuba de almacenamiento.

2) Retire la cinta de embalaje que sujeta las tapas.

3) Quite las tapas frontal, superior y laterales.



Tapa superior: Retire el tornillo. Levántela.

Tapa delantera: Retire el tornillo. Levante y tire hacia usted.

Tapa lateral: Retire los tornillos. Tire un poco hacia usted.

4) Retire el embalaje de los accesorios. Verifique el contenido de acuerdo con “2. ACCESORIOS”.

5) Retire de las tapas la película protectora de plástico. Si la máquina de hielo está expuesta al sol o al calor, quítele la película una vez que se haya enfriado.

4. UBICACIÓN

⚠ADVERTENCIA

Esta máquina de hielo no está diseñada para uso en el exterior.

La máquina de hielo no debe colocarse cerca de hornos, parrillas u otras fuentes de calor.

Este aparato no es apropiado para su instalación en una zona en la que pueda haber un chorro de agua.

⚠ATENCIÓN

La máquina de hielo debe ubicarse sobre una base firme y nivelada.

AVISO

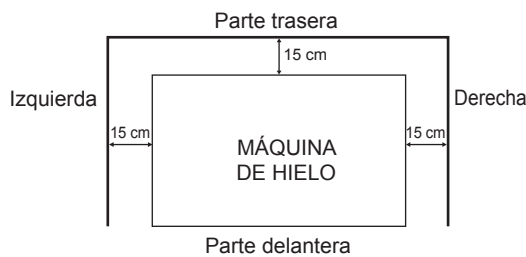
No coloque nada encima de la máquina de hielo ni delante de la rejilla.

IMPORTANTE

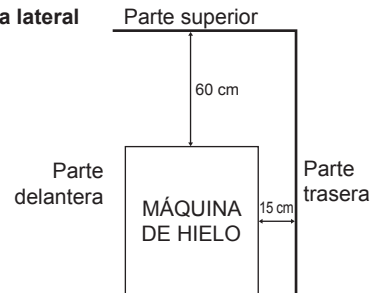
La temperatura ambiente normal de funcionamiento deberá oscilar entre 5 °C y 40 °C. La conexión al suministro de agua es únicamente para agua fría. La utilización de la máquina de hielo fuera de estos márgenes de temperatura normal por periodos prolongados puede afectar su capacidad de producción.

Deje el espacio especificado a continuación para permitir la circulación de aire y facilitar las eventuales operaciones de reparación o mantenimiento.

Vista superior



Vista lateral



Es posible que en algunos entornos con un nivel alto de humedad se forme condensación en el interior de la máquina y gotee en el suelo. No la instale en suelos sensibles al agua.

Evite la exposición prolongada del equipo a la luz del sol directa.

5. INSTALACIÓN

⚠ATENCIÓN

El fabricante no se hace responsable de los daños a personas, animales u otros elementos provocados por una instalación incorrecta.

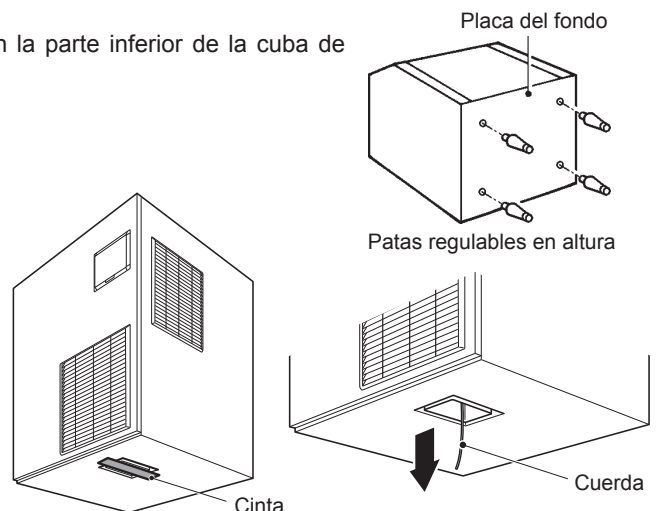
1) Atornille totalmente las cuatro patas suministradas (accesorios) en la parte inferior de la cuba de almacenamiento.

2) Sitúe la cuba de almacenamiento en el lado elegido para la misma.

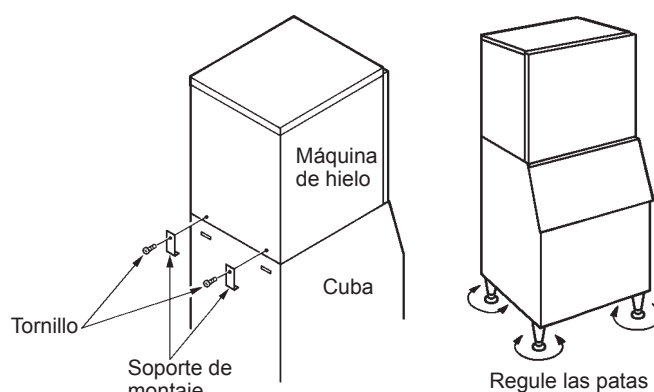
3) Retire la cinta de la abertura de la vertedera en la parte inferior de la máquina de hielo.

4) Tire del extremo del amortiguador que sale de la abertura de la vertedera para extraer el amortiguador completo.

Nota: Si se activa la alimentación eléctrica con parte del amortiguador en el interior, la máquina de hielo no se iniciará y mostrará “BIN FULL” en la pantalla.



- 5) Coloque la máquina de hielo encima de la cuba de almacenamiento sujetándola por la parte inferior.
- 6) Fije la máquina de hielo a la cuba de almacenamiento mediante los dos soportes de montaje y los dos pernos que se suministran.
- 7) Con un sellador apto para alimentación, selle la junta entre la máquina de hielo y la cuba de almacenamiento.
- 8) Vuelva a montar las tapas laterales en sus posiciones correctas.
- 9) Ajuste las cuatro patas de la parte inferior (regulables entre 0 y 25,4 mm) para que la máquina de hielo quede perfectamente horizontal. Use el nivel de burbuja.



6. CONEXIONES ELÉCTRICAS

⚠ ADVERTENCIA

ESTA MÁQUINA DEBE CONECTARSE A TIERRA

Esta máquina de hielo requiere una conexión a tierra conforme a la normativa eléctrica nacional y local.

Para evitar la posibilidad de fuertes descargas eléctricas a personas o graves averías de la unidad, conecte a la máquina un cable de puesta a tierra adecuado.

Antes de realizar operaciones de mantenimiento, reparación o limpieza, desconecte la unidad de la red eléctrica.

- * Este equipo necesita una alimentación de 220 – 240 VCA, 13 A aparte. El suministro eléctrico debe protegerse con un disyuntor apropiado.
- * Normalmente son necesarios un permiso para obras eléctricas y los servicios de un electricista acreditado.
- * Si se daña el cable de alimentación, deberá sustituirse por un cable de repuesto disponible en los centros de repuestos/servicio de Hoshizaki.

Únicamente en el Reino Unido y la República de Irlanda

- * Los hilos del cable de red están coloreados de acuerdo con el código siguiente:

Verde y amarillo = Tierra

Azul = Neutro

Marrón = Activo

Es posible que los colores de los hilos del cable de red de este equipo no se correspondan con las marcas de color que identifican los terminales del enchufe que se utilice. En ese caso, proceda del modo siguiente:

El hilo verde y amarillo se debe conectar al terminal del enchufe marcado con la letra E o con el símbolo \perp , o de color verde o de color verde-amarillo. El hilo azul debe conectarse al terminal marcado con la letra N o de color negro. El hilo marrón debe conectarse al terminal marcado con la letra L o de color rojo.

- * En caso de que las tomas de corriente del lugar donde se va a instalar no sean adecuadas para el enchufe que se suministra con el producto, debe sustituirse el enchufe (cortándolo si está moldeado) por uno adecuado.

Si la clavija no reutilizable se ha cortado del cable de alimentación, dicha clavija debe desecharse. No trate de reutilizarla. La introducción de esta clavija en cualquier toma de corriente representa un grave riesgo de descarga eléctrica.

- * La clavija no reutilizable no debe utilizarse nunca sin una tapa de fusibles montada.

El recambio correcto de la tapa de fusibles desmontable se identifica por el número de referencia del fabricante grabado en la propia clavija.

Puede obtener tapas de fusibles de repuesto en los centros de repuestos/servicio de Hoshizaki.

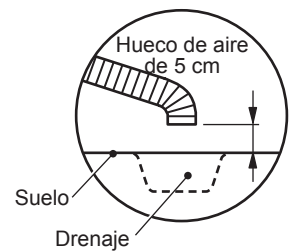
Los fusibles deben ser de 13 A (FM-480) / 10 A (FM-300) y estar homologados según BS 1362.

7. SUMINISTRO DE AGUA Y CONEXIONES DE DRENAJE

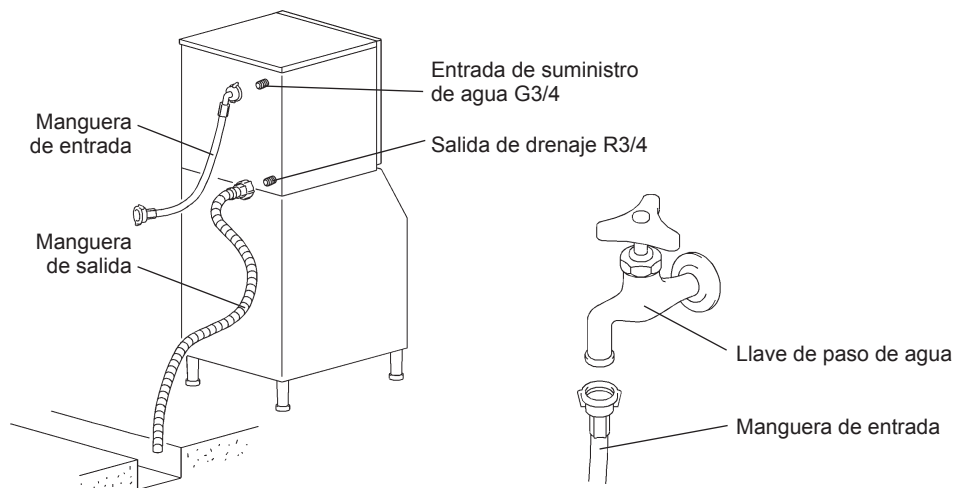
⚠ ADVERTENCIA

Conecte la máquina únicamente a un suministro de agua fría potable.

- * La conexión a la red de suministro general de agua debe hacerse según la regulación vigente de cada país en materia de suministro de agua o racores.
- * El agua de la máquina de hielo debe ser potable. En los casos en los que la acumulación de sarro se deba a la calidad del agua, se recomienda la instalación de un descalcificador o un filtro externo. Póngase en contacto con un profesional en el tratamiento de aguas local o con un agente de servicio de Hoshizaki.
- * La presión del suministro de agua debe ser de 0,05 MPa (0,5 bar) como mínimo y 0,8 MPa (8 bar) como máximo. Si la presión es superior a 0,8 MPa (8 bar), utilice una válvula reductora adecuada. **NO** trate de reducir la presión actuando sobre la llave de paso.
- * En algunas localidades pueden ser necesarios un permiso para obras de fontanería y los servicios de un fontanero acreditado.
- * El drenaje de la máquina de hielo se realiza por gravedad, de modo que la manguera de drenaje debe disponer de la pendiente y altura adecuadas.
- * Las tuberías no deberían instalarse directamente al drenaje. Debe quedar un hueco de aire vertical de al menos 5 cm entre el extremo de las mangueras de drenaje de la máquina de hielo y la cuba de almacenamiento y el drenaje del suelo.
- * Asegúrese de que utiliza los tubos nuevos que se suministran con el equipo. No reutilice ninguna manguera antigua.

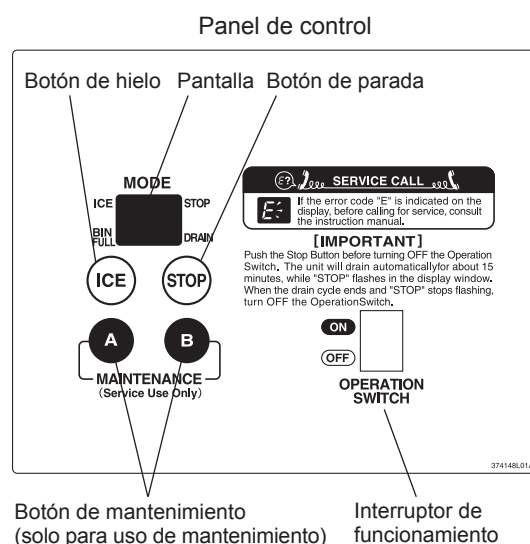


- 1) Una el extremo acodado de la manguera flexible de entrada (accesoria) al racor G3/4 en la parte trasera de la máquina de hielo, tal como se muestra, verificando que la junta de goma quede correctamente colocada. Apriete a mano lo suficiente para conseguir una junta estanca.
- 2) Acople el otro extremo de la manguera de entrada al colector de agua, comprobando, antes de apretar a mano como se indica anteriormente, que la junta esté bien colocada. Como medida de precaución, es conveniente tener a mano una válvula de cierre.
- 3) Apriete a mano la manguera flexible gris de salida (accesoria) en el racor R3/4 en la parte trasera de la máquina de hielo tal como se muestra, verificando que la arandela de goma quede correctamente colocada para obtener una conexión estanca. Puede cortar la manguera a la longitud necesaria ajustándolo a la posición del drenaje principal.



8. PROCEDIMIENTO DE PUESTA EN MARCHA

- 1) Verifique que el cable de alimentación está desconectado.
- 2) Lleve el interruptor de funcionamiento del panel de control a la posición "ON" (activado).
- 3) Abra la llave de paso de agua.
- 4) Conecte y active la alimentación eléctrica.
- 5) La pantalla se iluminará en el modo "ICE".
- 6) Debería producirse la siguiente secuencia:
 - a) Se llenará el depósito de agua.
 - b) El motor de engranajes arrancará.
 - c) El compresor se pondrá en marcha.



⚠ HIGIENE

Compruebe el estado y la calidad de la producción de hielo.

No use el hielo obtenido durante el periodo de prueba. Puede estar contaminado con cuerpos extraños del circuito del agua. Deseche o lave con agua el drenaje.

Limpie la cuba de almacenamiento antes de utilizarla (véase "III. 1. LIMPIEZA" en el Manual de instrucciones).

9. COMPROBACIONES FINALES

- 1) Compruebe que el voltaje sea correcto.
- 2) Compruebe que la máquina de hielo esté correctamente conectada a tierra.
- 3) Compruebe que la máquina de hielo no vibre.
- 4) Compruebe que los paneles estén bien fijados.
- 5) Compruebe que el funcionamiento sea correcto de acuerdo con "8. PROCEDIMIENTO DE PUESTA EN MARCHA".
- 6) Verifique el suministro de agua y las conexiones de drenaje en busca de fugas.
- 7) Indique al usuario el uso correcto de la máquina. Entregue el manual de instrucciones al usuario.

INFORMAZIONI IMPORTANTI SULLA SICUREZZA

All'interno del manuale compaiono degli avvertimenti che intendono attirare l'attenzione dell'operatore su situazioni che potrebbero causarne la morte, lesioni gravi o danneggiare l'apparecchio.

▲AVVERTENZA	Indica una situazione pericolosa che, se non evitata, potrebbe causare la morte o lesioni gravi.
▲ATTENZIONE	Indica una situazione pericolosa che, se non evitata, potrebbe causare lesioni di lieve o media entità.
AVVISO	Indica una situazione pericolosa che, se non evitata, potrebbe causare danni all'unità.
▲IGIENE	Indica importanti precauzioni per l'igiene e la sicurezza alimentare.
IMPORTANTE	Indica informazioni importanti in merito all'uso e alla manutenzione dell'unità.

La macchina utilizza un refrigerante senza HFC (propano) e una schiuma isolante senza HFC che non danneggiano lo strato di ozono e materiali ecosostenibili che hanno un potenziale di riscaldamento globale molto basso.

▲AVVERTENZA
L'unità di raffreddamento della macchina contiene un refrigerante infiammabile; pertanto la manutenzione e la ricarica possono essere eseguite esclusivamente da tecnici autorizzati.
Il refrigerante contenuto in questa macchina è infiammabile e sigillato nell'impianto di refrigerazione. Anche se non si verificano perdite di refrigerante con il normale utilizzo, prestare particolare attenzione quando si utilizza la macchina per non provocare danni all'impianto.
In caso di danno accidentale all'impianto di refrigerazione con conseguente perdita di refrigerante: * Evitare la creazione di fonti di innesco nell'area. * Non azionare interruttori o utilizzare spine elettriche nell'area. * Evitare l'uso di fiamme libere. * Aprire immediatamente porte e/o finestre per ventilare l'area. * Contattare un tecnico dell'assistenza.

IMPORTANTE
Al fine di installare il prodotto in modo sicuro e corretto, si raccomanda di leggere prima attentamente il presente manuale e di seguire le istruzioni in esso contenute.
Una volta completata l'installazione, avviare la macchina per verificare che non presenti anomalie. Istruire l'utente in merito all'uso e alla manutenzione della macchina in conformità a quanto riportato nel manuale.
Il presente manuale deve essere consegnato all'utente dopo l'installazione, perché lo conservi insieme al manuale di istruzioni per eventuali necessità di consultazione.

▲AVVERTENZA

Questa è una macchina industriale e deve essere utilizzata esclusivamente per gli impieghi per la quale è stata espressamente progettata.

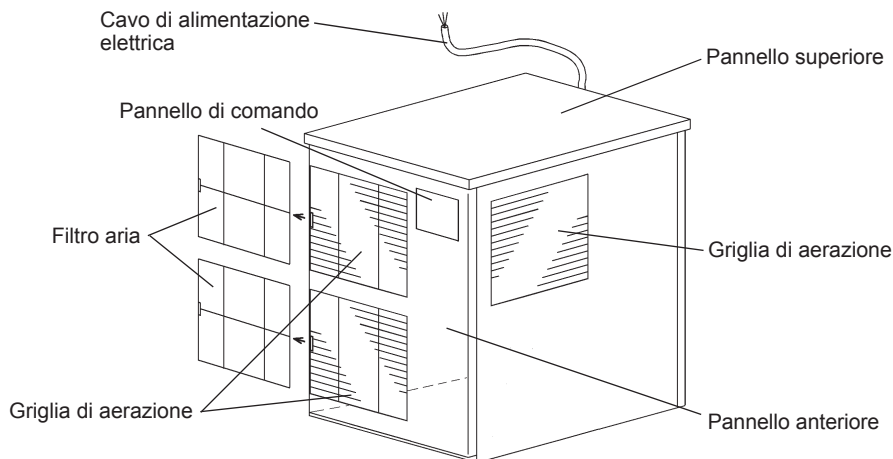
Qualunque altro impiego è da considerarsi improprio e pertanto pericoloso. La casa costruttrice declina ogni responsabilità per eventuali danni provocati da uso improprio, non corretto o sconsiderato.

L'installazione e, se necessario, lo spostamento, devono essere eseguiti da personale specializzato, in conformità alle norme vigenti e alle istruzioni della casa costruttrice.

Mantenere prive di ostruzioni le aperture di ventilazione della custodia della macchina o della struttura incorporata.

Non utilizzare dispositivi meccanici o altri strumenti per accelerare il processo di scongelamento, ad eccezione di quelli consigliati dal produttore.

1. COMPONENTI



2. ACCESSORI

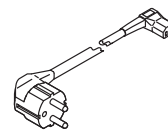
CD	1
Staffa di fissaggio	2
Cavo di alimentazione elettrica	1
Tubo di entrata	1
Tubo flessibile d'uscita	1
Copriconnettore	1



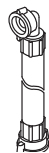
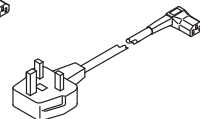
CD



Staffa di fissaggio



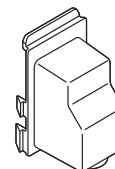
Cavo di alimentazione elettrica



Tubo di entrata



Tubo flessibile d'uscita



Copriconnettore

3. DISIMBALLAGGIO

⚠ AVVERTENZA

Tenere gli elementi d'imballaggio (sacchetti in plastica e polistirolo espanso) lontano dalla portata dei bambini, perché potenzialmente pericolosi.

⚠ ATTENZIONE

Non sollevare o maneggiare il cartone mediante il nastro d'imballaggio.

Quando si sposta l'unità manualmente, rimuovere i pannelli e afferrare l'intelaiatura dell'unità.

Indossare sempre guanti protettivi per trasportare l'unità.

Per evitare il rischio di lesioni, lavorare sempre in coppia quando si movimenta la scatola o l'unità disimballata.

AVVISO

Rimuovere il cartone d'imballaggio, il nastro/i e l'imballaggio. La macchina non funziona in modo corretto se non si rimuove tutto il materiale d'imballaggio.

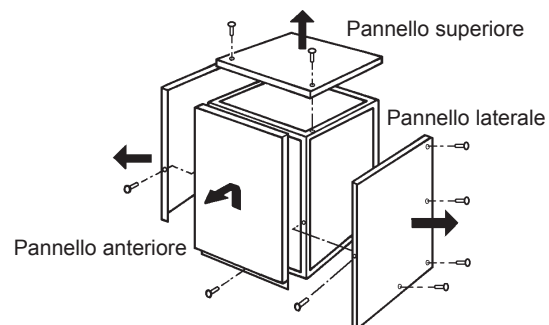
la macchina deve essere dotata di un deposito di raccolta cubetti. Il deposito di raccolta cubetti raccomandato è HOSHIZAKI ICE STORAGE BIN, modello B-300SD(PD) o B-500SD(PD) con kit superiore - 8C, B-700SD(PD) con kit superiore - 22C, oppure B-900SD(PD) con kit superiore - 22C e kit superiore - 8C.

1) Dopo la rimozione dell'imballaggio, accertare che la macchina e il deposito di raccolta cubetti siano in buone condizioni. Qualora sorgano dubbi in merito, non utilizzare la macchina ma rivolgersi a personale qualificato. Per le indicazioni di disimballaggio e installazione si veda il relativo foglio d'istruzioni allegato al deposito di raccolta cubetti.

2) Togliere il nastro adesivo che fissa i pannelli.

3) Rimuovere i pannelli anteriore, superiore e laterali.

4) Rimuovere l'imballaggio contenente gli accessori. Verificarne il contenuto secondo quanto riportato al punto "2. ACCESSORI".



Pannello superiore: Rimuovere la vite. Sollevare.

Pannello anteriore: Rimuovere la vite. Sollevare e tirare verso di sé.

Pannello laterale: Rimuovere le viti. Tirare leggermente verso di sé.

5) Rimuovere dai pannelli la pellicola protettiva in plastica. In caso di esposizione al sole o a fonti di calore, rimuovere la pellicola dopo aver lasciato raffreddare la macchina.

4. UBICAZIONE

⚠AVVERTENZA

La macchina non è adatta per essere utilizzata all'aria aperta.

La macchina non deve essere ubicata in prossimità di forni, grill o altri apparecchi che producono calore.

La macchina non è adatta per l'installazione in un'area in cui è possibile utilizzare un getto d'acqua.

⚠ATTENZIONE

Il pavimento su cui poggia deve garantire alla macchina una base solida e piana.

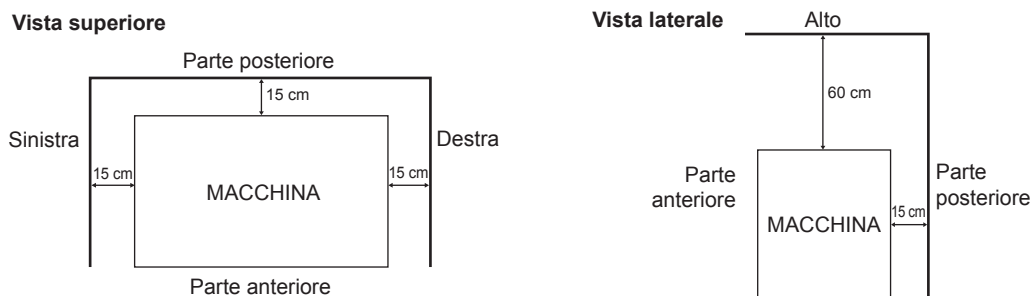
AVVISO

Non posizionare alcun oggetto sulla sommità della macchina e davanti alla sfinestratura.

IMPORTANTE

La normale temperatura ambiente d'esercizio deve essere compresa tra 5°C e 40°C. Il collegamento all'approvvigionamento dell'acqua è solo per acqua fredda. Il prolungato funzionamento della macchina con valori che non rientrano nelle gamme previste può comprometterne la capacità di produzione.

Lasciare uno spazio equivalente a quello sotto specificato in modo da favorire la circolazione dell'aria e le eventuali operazioni di manutenzione o servizio.



In alcuni ambienti ad alta umidità, all'interno della macchina potrebbe formarsi della condensa che si riversa poi sul pavimento. Non installare la macchina su un pavimento che potrebbe danneggiarsi a causa dell'acqua.

Evitare l'esposizione prolungata della macchina alla luce diretta del sole.

5. INSTALLAZIONE

⚠ATTENZIONE

L'installazione non corretta può provocare lesioni alle persone, agli animali e danni materiali, per i quali la casa costruttrice declina ogni responsabilità.

1) Avvitare completamente i quattro piedini in dotazione (accessori del deposito) sulla parte inferiore del deposito di raccolta cubetti.

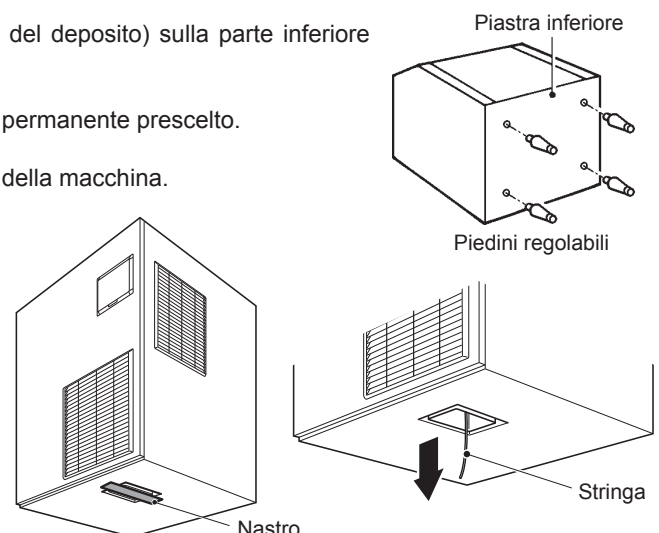
2) Posizionare il deposito di raccolta cubetti nel luogo d'installazione permanente prescelto.

3) Rimuovere il nastro dall'apertura dello scivolo nella parte inferiore della macchina.

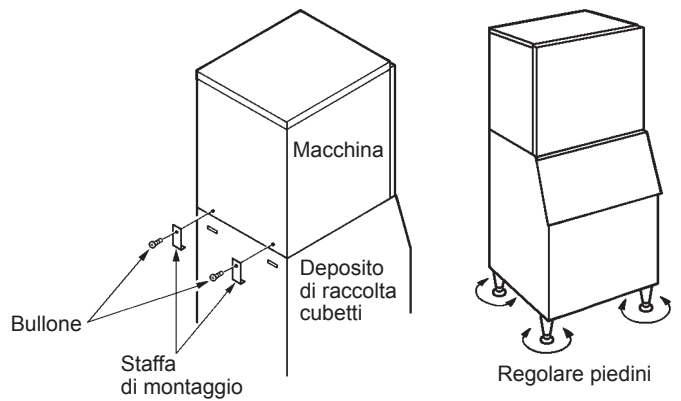
4) Abbassare l'estremità del cuscinetto che fuoriesce dall'apertura dello scivolo per rimuovere l'intero cuscinetto.

Nota: se viene attivata l'alimentazione con il cuscinetto lasciato all'interno, la macchina non visualizzerà l'indicazione "DEPOSITO PIENO" sul display.

5) Afferrandone il fondo, collocare la macchina sopra il deposito di raccolta cubetti.



- 6) Fissare la macchina al deposito di raccolta cubetti, servendosi delle due staffe di montaggio e dei due bulloni in dotazione.
- 7) Sigillare la linea di giunzione fra la macchina e il deposito di raccolta cubetti mediante sigillante per alimenti.
- 8) Rimontare i pannelli laterali in modo corretto.
- 9) Regolare i quattro piedini del fondo (regolabili da 0 a 25,4 mm), in modo che la macchina sia perfettamente orizzontale. Utilizzare una livella a bolla d'aria.



6. COLLEGAMENTI ELETTRICI

⚠ AVVERTENZA

LA MACCHINA DEVE ESSERE COLLEGATA A MASSA

La macchina deve essere collegata a massa in modo da soddisfare le norme elettriche a livello locale e nazionale.

Per prevenire gravi lesioni da scosse elettriche alle persone e seri danni alla macchina, collegare alla medesima un idoneo cavo di massa.

Scollegare l'alimentazione principale prima di eseguire qualsiasi intervento di manutenzione, riparazione o pulizia.

- * Questa macchina richiede un'alimentazione separata a 220 - 240VCA, da 13A. L'alimentazione elettrica deve essere protetta da un interruttore automatico adeguato.
- * Per eseguire interventi elettrici sono solitamente necessari un permesso specifico nonché l'assistenza di un elettricista qualificato.
- * Se il cavo di alimentazione è danneggiato, sostituirlo con un cavo di ricambio reperibile presso il centro assistenza/ricambi Hoshizaki.

Solo per il Regno Unito e la Repubblica d'Irlanda

- * I fili del cavo di alimentazione sono colorati in base al seguente codice:

Verde e giallo = Massa

Blu = Neutro

Marrone = Sotto tensione

Dato che i colori dei fili del cavo di alimentazione della macchina possono non corrispondere ai contrassegni colorati che identificano i terminali della spina dell'utente, procedere come segue.

Il filo verde e giallo deve essere collegato al terminale della spina contrassegnato dalla lettera E o dal simbolo \perp o di colore verde o verde e giallo. Il filo blu deve essere collegato al terminale della spina contrassegnato dalla lettera N o di colore nero. Il filo marrone deve essere collegato al terminale contrassegnato dalla lettera L o di colore rosso.

- * Se le prese a muro, nel luogo dell'installazione, non sono adatte alla spina appartenente alla dotazione del prodotto, togliere la spina (tagliandola se è del tipo pressofuso) e sostituirla con una spina adatta.

Se dal cavo di alimentazione elettrica è stata tagliata una spina di tipo non riciclabile, smaltirla. Non cercare di riutilizzarla. Inserire una spina del genere in una qualsiasi altra presa comporta un forte rischio di scosse elettriche.

- * La spina non riciclabile non va mai utilizzata senza aver montato un coprifusibile.

Per individuare il corretto ricambio del coprifusibile smontabile, leggere il numero di riferimento della casa costruttrice impresso sulla spina.

I coprifusibili possono essere reperiti presso il centro assistenza/ricambi Hoshizaki.

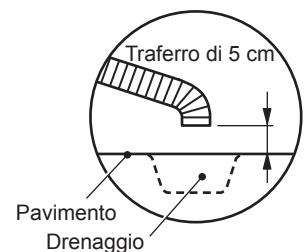
I fusibili devono essere di 13 A (FM-480) / 10 A (FM-300) e conformi alla norma BS 1362.

7. COLLEGAMENTO DI ALIMENTAZIONE DELL'ACQUA E COLLEGAMENTO DI SCARICO

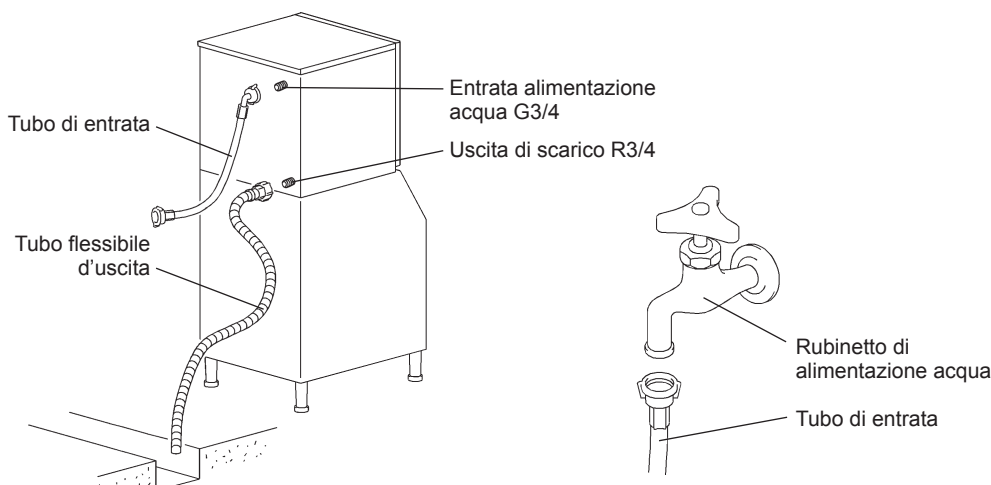
⚠ AVVERTENZA

Collegare solo all'approvvigionamento dell'acqua potabile fredda.

- * I collegamenti all'approvvigionamento idrico di rete devono essere eseguiti in conformità ai requisiti vigenti delle norme relative all'approvvigionamento dell'acqua e ai raccordi dell'acqua.
- * L'acqua utilizzata per la fabbricazione del ghiaccio deve essere potabile. Laddove la qualità dell'acqua può causare disincrostazione, è consigliabile l'installazione di un filtro esterno o di un addolcitore. Contattare l'esperto in trattamenti idrici locale o un agente dell'assistenza Hoshizaki.
- * La pressione dell'approvvigionamento dell'acqua deve essere di minimo 0,05 MPa (0,5 bar) e massimo 0,8 MPa (8 bar). Se la pressione è superiore a 0,8 MPa (8 bar), utilizzare una valvola limitatrice di pressione appropriata. **NON** strozzare il rubinetto dell'acqua.
- * In alcune località, per eseguire lavori idraulici sono necessari un permesso specifico nonché l'assistenza di un idraulico qualificato.
- * La macchina è caratterizzata da un flusso di drenaggio a gravità: assicurarsi che il tubo di scarico abbia una pendenza adatta.
- * I circuiti di scarico non devono essere installati direttamente nella rete fognaria. È necessario lasciare un traferro verticale di minimo 5 cm tra l'estremità dei tubi di scarico dalla macchina e il deposito di raccolta cubetti e lo scarico a pavimento.
- * Assicurarsi di utilizzare i nuovi set di tubi forniti con l'apparecchio. Non riutilizzare i set di tubi vecchi.

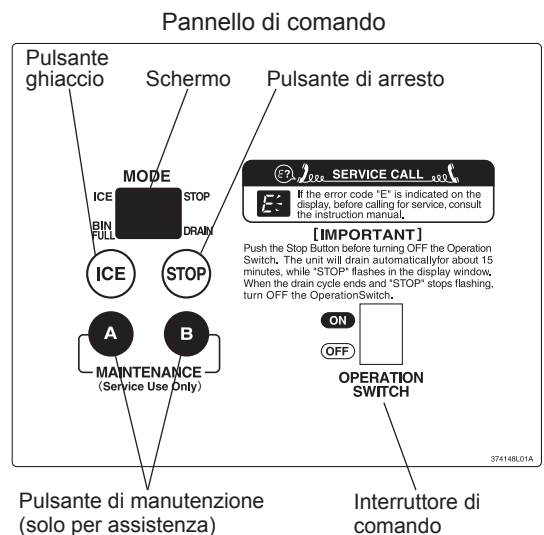


- 1) Collegare l'estremità a gomito del tubo di entrata (flessibile, accessorio) al raccordo G3/4, situato sul lato posteriore della macchina, come indicato, facendo attenzione che la rondella di tenuta in gomma sia posizionata in modo corretto. Serrare a mano quanto basta a evitare perdite.
- 2) Collegare al rubinetto dell'acqua l'altra estremità del tubo flessibile di entrata, facendo attenzione che la rondella sia posizionata correttamente prima di serrare a mano come descritto in precedenza. È consigliabile per precauzione inserire una valvola di arresto in posizione facilmente accessibile.
- 3) Serrare a mano il tubo di uscita (flessibile grigio, accessorio) sul raccordo R3/4 sul lato posteriore della macchina come indicato, facendo attenzione che la rondella in gomma sia posizionata in modo corretto, per garantire un accoppiamento a tenuta stagna. Il tubo può essere tagliato alla lunghezza necessaria per adattarsi alla posizione dello scarico principale.



8. PROCEDURA DI AVVIO

- 1) Verificare che il cavo di alimentazione elettrica sia scollegato.
- 2) Spostare in posizione "ON" l'interruttore di comando posto sul pannello di comando.
- 3) Aprire il rubinetto di alimentazione dell'acqua.
- 4) Collegare e inserire l'alimentazione elettrica.
- 5) Lo schermo si illumina in modalità "ICE".
- 6) Nell'ordine, devono verificarsi le seguenti operazioni:
 - a) Il serbatoio dell'acqua si riempie.
 - b) Il motorino con riduttore ad ingranaggi si avvia.
 - c) Avviamento del compressore.



⚠️ IGIENE

Verificare le condizioni e la qualità della produzione di cubetti.

Non utilizzare i cubetti prodotti durante il ciclo di prova. Potrebbero essere contaminati da sostanze estranee presenti nel circuito dell'acqua. Eliminarli o farli scendere nello scarico.

Pulire il deposito di raccolta cubetti prima dell'uso (vedi "III. 1. PULIZIA" nel Manuale di istruzioni).

9. CONTROLLI FINALI

- 1) Verificare la corretta tensione di alimentazione.
- 2) Verificare che la macchina sia collegata a massa in modo corretto.
- 3) Assicurarsi che la macchina sia esente da vibrazioni.
- 4) Assicurarsi che tutti i pannelli siano fissati e bloccati.
- 5) Verificare il corretto funzionamento secondo quanto riportato al punto "8. PROCEDURA DI AVVIO".
- 6) Verificare l'assenza di perdite di acqua nel collegamento di alimentazione dell'acqua e in quello di scarico.
- 7) Istruire l'utente in merito all'utilizzo corretto della macchina. Consegnare il manuale di istruzioni all'utente.