



CE

SHUTTLE ICE DISPENSER
DISTRIBUTEUR DE GLAÇONS
SHUTTLEEISDISPENSER
SHUTTLEIJS DISPENSER
DISPENSADOR DE HIELO
DISTRIBUTORE DI GHIACCIO

**INSTRUCTION MANUAL
NOTICE D'UTILISATION
BEDIENUNGSANLEITUNG
GEBRUIKSAANWIJZING
MANUAL DE INSTRUCCIONES
MANUALE D'ISTRUZIONI**

DSM-12CE

9124ME20B (110110)

IMPORTANT

1. This booklet is an integral and essential part of the product and should be kept and preserved by the user. Please read carefully the guidelines and warnings contained herein as they are intended to provide the installer/user with essential information for the proper installation and the continued safe use and maintenance of the product. Please preserve this booklet for any further consultation that may be necessary.
2. This is a commercial ice dispenser, and should be destined only to be used for the purpose for which it has been expressly designed. Any other use should be considered improper and therefore dangerous. The manufacturer will not be held liable or responsible for any damage caused by improper, incorrect and unreasonable use.

I. INSTALLATION INSTRUCTIONS

WARNING

1. **The installation must be carried out by qualified personnel**, in accordance with current regulations, according to the manufacturer's instructions.
2. Keep ventilation openings, in the appliance enclosure or in the built-in structure, clear of obstruction.

1. UNPACKING

WARNING

Children should not be allowed in reach of the packaging elements (plastic bags and expanded polystyrene) as they are potential sources of danger.

CAUTION

Remove shipping carton, tape(s) and packing. If packing material is left in the ice dispenser, it will not work properly.

- 1) After removing the packaging, make sure that the ice dispenser is in good condition. If in doubt, please do not use the equipment but apply to professionally qualified personnel.

- 2) Remove shipping tapes holding the package of accessories, and check the contents:

a) Installation Kit	
Inlet Hose	1
Outlet Hose	1
Rc1/2-G3/4 Nipple	1
b) Brace	1
c) Machine Screw	2
d) Tapping Screw	2

- 3) Remove tapes holding the power cord.

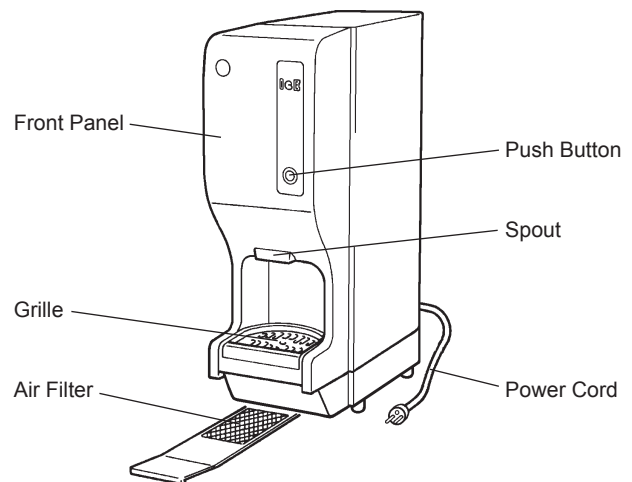


Fig. 1

2. LOCATION

IMPORTANT

1. This ice dispenser is not intended for outdoor use. Normal operating ambient temperature should be within 5°C to 40°C. Normal operating water temperature should be within 5°C to 35°C. Operation of the ice dispenser, for extended periods, outside of these normal temperature ranges may affect production capacity.
2. The ice dispenser should not be located next to ovens, grills or other high heat producing equipment.
3. The location should provide a firm and level foundation for the equipment at normal counter top height.
4. Allow 15 cm clearance at rear and top and 5 cm at sides for proper air circulation and ease of maintenance and/or service should they be required.
5. This appliance is not suitable for installation in an area where a water jet could be used and where dripping is not allowed.

ENGLISH

- 6. Do not place anything on top of the ice dispenser to obstruct the ventilation louver.
- 7. This ice dispenser will not work at subfreezing temperatures. To prevent damage to the water supply line, drain the ice dispenser when air temperature is below zero (see "II. 2. PREPARING THE ICE DISPENSER FOR LONG STORAGE").

3. INSTALLATION

- * Incorrect installation can cause harm to people, animals or things, for which the manufacturer cannot be held responsible.
- * Secure the ice dispenser to the counter table by using the brace, machine screws and tapping screws (accessory). See Fig. 2.

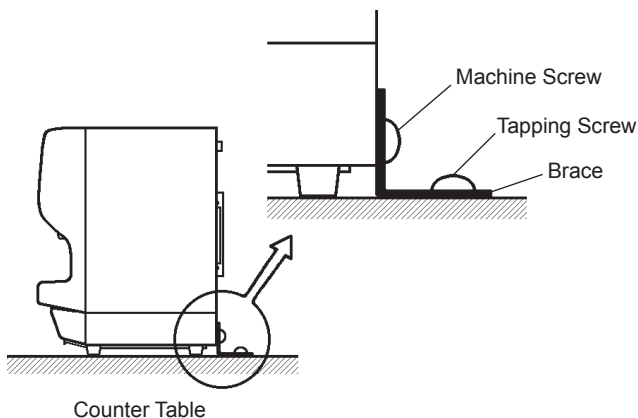


Fig. 2

4. ELECTRICAL CONNECTIONS

WARNING

THIS APPLIANCE MUST BE EARTHED

This ice dispenser requires an earth that meets the national and local electrical code requirements. To prevent possible severe electrical shock to individuals or extensive damage to equipment, install a proper earth wire to the ice dispenser. Remove the plug from the mains socket before any maintenance, repairs or cleaning is undertaken.

- * This appliance requires a separate 220 - 240VAC, 13A supply. The electrical supply must be protected by a suitable circuit breaker.
- * The main control box fuse is rated at 5A and should only be replaced by a qualified service engineer.

- * Usually an electrical permit and services of a licensed electrician are required.
- * If the supply cord and the plug should need to be replaced, it should only be done by a qualified service engineer.

For the U.K. and the Republic of Ireland only

- * The wires in the mains lead are coloured in accordance with the following code:

Green & Yellow = Earth
Blue = Neutral
Brown = Live

As the colours of the wire in the mains lead of this appliance may not correspond with the coloured markings identifying the terminals in your plug, proceed as follows:

The wire which is coloured Green-and-Yellow must be connected to the terminal in the plug which is marked with the letter E or by the symbol \perp or coloured Green or Green-and-Yellow. The wire which is coloured Blue must be connected to the terminal which is marked with the letter N or coloured Black. The wire which is coloured Brown must be connected to the terminal which is marked with the letter L or coloured Red.

- * Should the socket outlets in the installation site not be suitable for the plug supplied with your product, the plug must be removed (cut off if it is moulded on plug) and an appropriate plug fitted.

If the non-rewirable plug has been cut from the power supply cord, it must be disposed of. There should be no attempt to reuse it. Inserting such a plug into a socket elsewhere presents a serious risk of electrical shock.

- * The non-rewirable plug must never be used without a fuse cover being fitted.

The correct replacement for the detachable fuse cover is identifiable from the manufacturer's reference number stamped on the plug.

Supply of replacement fuse covers can be obtained from Hoshizaki Parts/Service Centres.

Fuses should be rated at 13A and approved to BS 1362.

5. WATER SUPPLY AND DRAIN CONNECTIONS

WARNING

Connect to potable water supply only.

- * The connections to the mains water supply must be made in accordance with the countries' current requirements of the Water Supply or Water Fittings Regulations.
- * Water supply pressure should be minimum 0.05 MPa (0.5 bar) and maximum 0.78 MPa (8 bar). If the pressure exceeds 0.78 MPa (8 bar), use a proper pressure reducing valve. Do **NOT** throttle back the supply tap.
- * A plumbing permit and services of a licensed plumber may be required in some areas.
- * The ice dispenser drain is gravity flow, so ensure the outlet hose has an adequate pitch or fall.
- * Water should drain into an open trap.
- * Be sure to use the new hose-sets supplied with the appliance. Do not reuse any old hose-sets.

- 1) Attach angled end of white inlet hose (accessory) to the G3/4 fitting on the rear of the ice dispenser as indicated ensuring rubber sealing washer is correctly positioned. Hand tighten sufficiently to provide leak free joint.
- 2) Attach the other end of inlet hose to the water tap, noting washer is correctly positioned before hand tightening as above.
- 3) By means of a suitable spanner or wrench, tighten the Rc1/2-G3/4 nipple (accessory) into the R1/2 fitting on the rear of the ice dispenser as indicated. P.T.F.E. tape and/or a suitable sealing compound should be used to obtain a leak free joint.

Note: Jointing compounds should be approved and suitable for potable water use.

- 4) Attach grey flexible outlet hose (accessory) to free end of Rc1/2-G3/4 nipple as indicated, confirming fitment of rubber washer before finally hand tightening the joint. This hose can be cut to length as necessary to suit position of main drain.

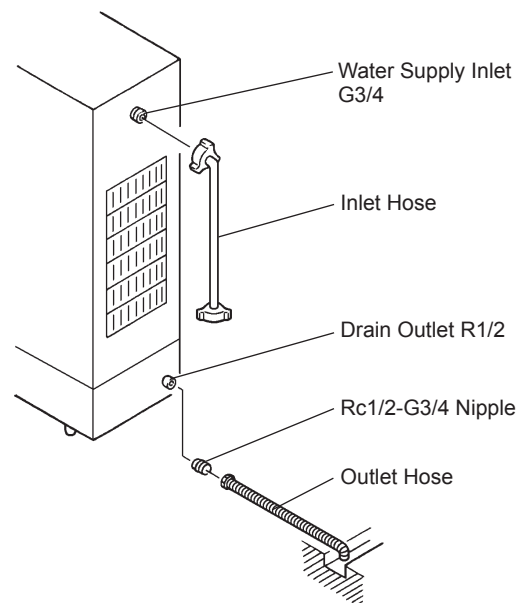


Fig. 3

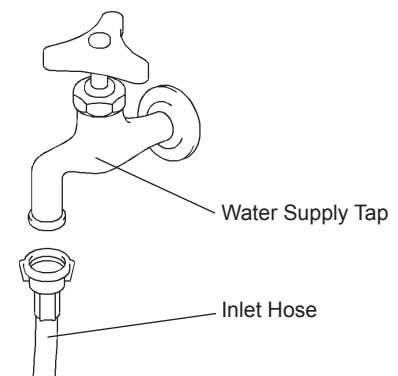


Fig. 4

II. OPERATING INSTRUCTIONS

WARNING

1. This ice dispenser is designed to produce and store edible ice. To keep the ice dispenser hygienic:
 - * Keep the grille clean. Clean it by using a neutral cleaner and rinse thoroughly.
2. The use of any electrical equipment involves the observance of some fundamental rules. In particular:
 - * Instances of high humidity and moisture increase the risk of electrical short circuits and potential electrical shocks. If in doubt, disconnect the ice dispenser.
 - * Do not pull the power cord in order to disconnect the ice dispenser from the feed network.
 - * This appliance is not intended for use by persons (including children) with reduced physical, sensory or mental capabilities,

ENGLISH

or lack of experience and knowledge, unless they have been given supervision or instruction concerning use of the appliance by a person responsible for their safety.

* Young children should be supervised to ensure that they do not play with the appliance.

3. All parts are factory-adjusted. Improper adjustments may result in failure.

4. If the unit is turned off, wait for at least 3 minutes before restarting the ice dispenser to prevent damage to the compressor.

3. This appliance must not be cleaned by use of a water jet.

4. To prevent possible damage, do not clean the plastic parts with water above 40°C or in a dishwasher.

1. START UP

- 1) Open the water tap.
- 2) Plug in the ice dispenser to start the automatic and continuous icemaking process.
- 3) Press the push button and check for proper ice dispensing action after 30 - 60 minutes.

2. PREPARING THE ICE DISPENSER FOR LONG STORAGE

- 1) Dispense all ice from the storage bin.
- 2) Close the water tap. Remove the inlet hose from the water tap, and drain the hose.
- 3) Unplug the machine from power socket.
- 4) Replace plug in the power socket and after 30 seconds unplug it again. This will automatically drain the water inside the machine.

III. MAINTENANCE

1. CLEANING

WARNING

1. Before carrying out any cleaning or maintenance operations, unplug the ice dispenser from the electrical supply network.

2. Ask a trained service person to clean and sanitize the ice dispenser water system at least twice a year and to check and clean the condenser at least once a year.

[1] Exterior and Grille

Wipe the exterior and grille at least once per week with a clean, soft cloth. Use a damp cloth containing a neutral cleaner to wipe off grease or dirt.

[2] Air Filter

Plastic mesh air filters remove dirt or dust from the air, and keep the condenser from getting clogged. If the filters get clogged, the ice dispenser's performance will be reduced.

Remove and clean the air filter at least twice per month by using a vacuum cleaner. When severely clogged, use warm water and a neutral cleaner to wash the air filter. Rinse and dry the air filter thoroughly, and place it in position.

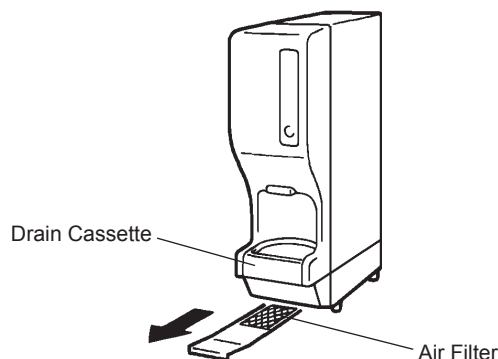


Fig. 5

[3] Drain Cassette

At least once a day, pull out the drain cassette and clean it with warm water and a neutral cleaner.

2. BEFORE CALLING A SERVICE AGENT

WARNING

Do not damage the refrigerant circuit.

If the ice dispenser does not work properly or does not work at all, before calling for service, check that:

- * The power is supplied to the unit.
- * The water is turned on.
- * The air filter is clean.

Other countries - Hoshizaki Europe
TEL: +31 (0)20 6918499 or +44 (0)845 456 0585
FAX: +31 (0)20 6918768 or +44 (0)1462 499080

For further assistance or advice, contact your local Hoshizaki service agent.

3. WARRANTY

Hoshizaki warrants to the original owner/user that all Hoshizaki branded products shall be free of defects in material and/or workmanship for the duration of the "warranty period". The warranty shall be effective for two years from the date of installation.

Hoshizaki's liability under the terms of the warranty are limited and shall exclude routine servicing, cleaning, essential maintenance and/or repairs occasioned by misuse and installations not in accordance with Hoshizaki guidelines.

Warranty repairs should be completed by an approved Hoshizaki dealer or service agency using genuine Hoshizaki components.

To obtain full details of your warranty and approved service agency, please contact your dealer/supplier, or the nearest Hoshizaki Service office in Europe:

U.K./Ireland - Hoshizaki UK
TEL: +44 (0)845 456 0585
FAX: +44 (0)1462 499080

Holland - Hoshizaki Europe
TEL: +31 (0)20 6918499
FAX: +31 (0)20 6918768

Belgium/Luxemburg - Hoshizaki Belgium
TEL: +32 (0)2 7123030
FAX: +32 (0)2 7123031

Germany/Switzerland/Austria - Hoshizaki
Deutschland
TEL: +49 (0)2154 92810
FAX: +49 (0)2154 928128

France - Hoshizaki France
TEL: +33 (0)1 48639380
FAX: +33 (0)1 48639388

Spain/Portugal - Hoshizaki Iberia
TEL: +34 (0)93 4780952
FAX: +34 (0)93 4780900

This product includes a hermetically sealed refrigeration system that contains fluorinated greenhouse gases covered by the Kyoto Protocol:
DSM-12CE R134a / GWP 1430 / 0.065kg

This product is insulated with foam blown with fluorinated greenhouse gases.

EC DECLARATION OF CONFORMITY

Manufacturer: Hoshizaki Electric Co., Ltd.
3-16 Minamiyakata, Sakae, Toyoake-shi,
Aichi 470-1194 Japan

We hereby declare that the machine(s) listed below and manufactured by us meet the essential health and safety requirements demanded by the following EC regulations:

EC Regulations: EMC Directive (2004/108/EC)
Low Voltage Directive (2006/95/EC)

Harmonised European Standards applied: EN 55014-1 (EMC)
EN 55014-2 (EMC)
EN 61000-3-2 (EMC)
EN 61000-3-3 (EMC)
EN 61000-4-2 (EMC)
EN 61000-4-3 (EMC)
EN 61000-4-4 (EMC)
EN 61000-4-5 (EMC)
EN 61000-4-6 (EMC)
EN 61000-4-11 (EMC)
EN 60335-1 (LVD)
EN 60335-2-24 (LVD)
EN 62233 (EMF)

CE Marking first affixed: 1997

Product Description: Hoshizaki Ice Maker

Model(s): DSM-12CE

Authorised Representative: Hoshizaki Europe B.V.
Keienbergweg 50 C/D, 1101 GC Amsterdam,
The Netherlands

Name: Akira Kamiya

Position: Managing Director

This declaration will no longer be valid if any alterations are made to the machine(s) without our approval.

IMPORTANT

1. Ce livret est un élément essentiel qui fait partie intégrante du produit et il doit être conservé soigneusement par l'utilisateur. Veuillez lire attentivement les conseils et les avertissements qui s'y trouvent, car ils ont pour but de fournir à l'installateur et à l'utilisateur des informations essentielles pour une installation correcte, une utilisation en toute sécurité et un entretien adéquat du produit. Veuillez conserver précieusement ce livret pour toute référence ultérieure.
2. Ce distributeur de glaçons a été conçu pour des applications commerciales ; il ne peut être utilisé qu'aux fins auxquelles il est expressément destiné. Toute autre utilisation doit être considérée comme inappropriée et donc dangereuse. Le fabricant décline toute responsabilité pour les dégâts provoqués par une utilisation inappropriée, incorrecte et abusive.

I. CONSIGNES D'INSTALLATION

AVERTISSEMENT

1. L'installation doit être effectuée par du personnel qualifié, conformément aux réglementations en vigueur et aux consignes du fabricant.
2. Veillez à ce que les ouvertures de ventilation de l'enceinte de l'appareil et de la structure intégrée ne soient pas obstruées.

1. DEBALLAGE

AVERTISSEMENT

Les enfants doivent être tenus à l'écart des éléments d'emballage (sacs en plastique et polystyrène expansé) car ils constituent des sources de danger potentielles.

ATTENTION

Retirer le carton de transport, le ruban adhésif et le matériel d'emballage. S'il reste des matériaux d'emballage dans le distributeur de glaçons, il ne fonctionnera pas correctement.

- 1) Une fois les matériaux d'emballage retirés, vérifier que le distributeur de glaçons est en bon état. En cas de doute, ne pas utiliser l'appareil et faire appel à un technicien qualifié.

- 2) Retirer les rubans adhésifs maintenant le paquet d'accessoires et vérifier son contenu :

a) Kit d'installation	
Flexible d'arrivée	1
Flexible de vidange	1
Mamelon Rc1/2-G3/4	1
b) Equerre	
c) Vis de l'appareil	2
d) Vis autotaraudeuse	2

- 3) Retirer les rubans adhésifs maintenant le cordon d'alimentation.

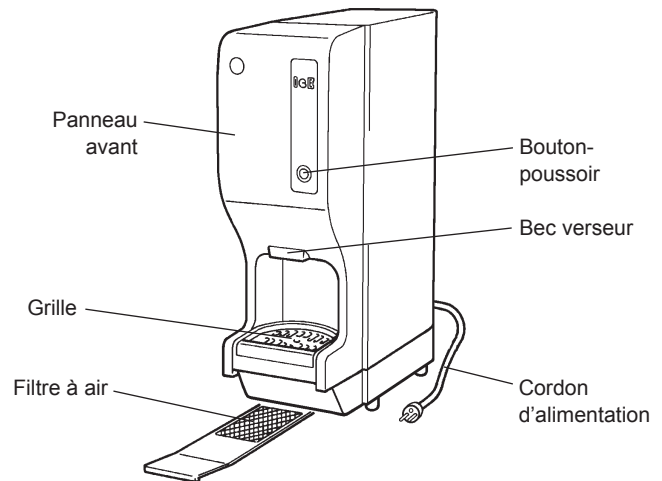


Fig. 1

2. EMPLACEMENT

IMPORTANT

1. Ce distributeur de glaçons n'est pas conçu pour être utilisé à l'extérieur. La température ambiante normale de service doit être comprise entre 5 °C et 40 °C. La température normale de service de l'eau doit être comprise entre 5 °C et 35 °C. Le fonctionnement du distributeur de glaçons en dehors de ces plages de températures, pendant des durées prolongées, risque d'affecter la capacité de production de glaçons.
2. Le distributeur de glaçons ne doit pas être placé à proximité de fours, de grills, ou de toute autre source de chaleur importante.
3. L'appareil doit avoir une assise solide et horizontale et se trouver à hauteur de comptoir normale.
4. Pour assurer une bonne circulation d'air et faciliter les opérations de maintenance et/ou d'entretien, prévoir 15 cm de dégagement à l'arrière et sur le dessus de l'appareil et 5 cm sur les côtés.

5. Cet appareil ne doit pas être installé dans un local où l'on risque d'utiliser un jet d'eau ou dans lequel l'utilisation de matériel produisant des gouttes d'eau est préjudiciable.
6. Ne rien poser sur le dessus du distributeur afin de ne pas obstruer le volet d'aération.
7. Le distributeur de glaçons ne fonctionnera pas à des températures inférieures à zéro. Pour prévenir tout dommage à la conduite d'alimentation en eau, vidanger le distributeur de glaçons lorsque la température de l'air est inférieure à zéro (voir « II. 2. PREPARATION DU DISTRIBUTEUR DE GLAÇONS EN VUE D'UN ENTREPOSAGE DE LONGUE DUREE »).

- * Cet appareil nécessite une alimentation de 220 - 240 V CA 13 A séparée. L'alimentation électrique doit être protégée par un disjoncteur approprié.
- * Le fusible du boîtier de commande principal est étalonné à 5 A et ne doit être remplacé que par un technicien d'entretien qualifié.
- * En général, l'installation nécessite une autorisation pour travaux électriques et les services d'un électricien qualifié.
- * Si le cordon et la fiche d'alimentation électrique sont à remplacer, l'opération doit être effectuée par un technicien qualifié.

Pour le Royaume-Uni et la République d'Irlande uniquement

- * Les fils du cordon d'alimentation électrique présentent le codage couleur suivant :

Vert et jaune = Terre
Bleu = Neutre
Marron = Sous tension

3. INSTALLATION

- * Une installation incorrecte de l'appareil peut avoir des conséquences néfastes sur les personnes, les animaux ou les objets, pour lesquelles le fabricant ne peut être tenu responsable.
- * Fixer le distributeur de glaçons sur le comptoir à l'aide de l'équerre, des vis de l'appareil et autotaraudeuses (accessoires). Voir Fig. 2.

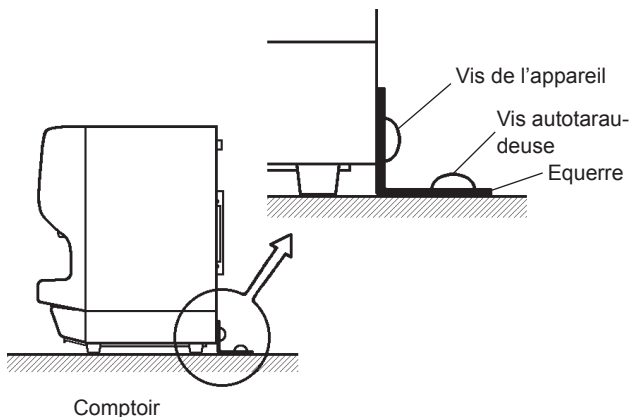


Fig. 2

4. BRANCHEMENTS ELECTRIQUES

AVERTISSEMENT

CET APPAREIL DOIT ETRE MIS A LA TERRE
Ce distributeur de glaçons doit avoir une mise à la terre qui respecte les réglementations électriques nationales et locales. Pour éviter tout risque d'électrocution grave ou de détérioration importante du matériel, relier le distributeur de glaçons à un fil de terre adéquat. Avant toute intervention d'entretien, de réparation ou de nettoyage, débrancher la fiche de la prise d'alimentation secteur.

La couleur des conducteurs du cordon d'alimentation de cet appareil peut ne pas correspondre au marquage couleur des bornes de votre fiche ; dans ce cas, procéder comme suit :

Le fil vert et jaune doit être relié à la borne de la fiche repérée par la lettre E ou par le symbole \perp ou la couleur verte ou verte et jaune. Le conducteur bleu doit être raccordé à la borne portant la lettre N ou de couleur noire. Le conducteur marron doit être raccordé à la borne portant la lettre L ou de couleur rouge.

- * Si la fiche livrée avec l'appareil ne convient pas aux prises du local d'installation, la retirer (la couper s'il s'agit d'une fiche moulée) et en monter une autre.

Après avoir retiré une fiche non recâblable, la mettre au rebut. Ne pas tenter de la réutiliser. L'insertion de ce type de fiche dans une autre prise présente des risques graves de décharge électrique.

- * La fiche non recâblable ne doit jamais être utilisée sans un protège-fusible.

Le numéro de référence du protège-fusible amovible est imprimé sur la fiche. Utiliser cette référence pour toute commande de pièce.

Il est possible de se procurer des protège-fusibles de remplacement auprès des centres de pièces détachées et d'entretien Hoshizaki.

La capacité nominale des fusibles doit être de 13 A ; ils doivent être agréés selon la norme BS 1362.

5. BRANCHEMENTS D'ARRIVÉE ET DE VIDANGE D'EAU

AVERTISSEMENT

Raccorder à l'alimentation en eau potable uniquement.

* Les raccordements à l'alimentation en eau du réseau doivent être réalisés conformément aux exigences nationales en vigueur des réglementations sur l'alimentation en eau ou les raccords.

* La pression de l'alimentation en eau doit être de 0,05 MPa (0,5 bar) au minimum et de 0,78 MPa (8 bar) au maximum. Si la pression dépasse 0,78 MPa (8 bar), utiliser un réducteur de pression approprié. Ne PAS fermer partiellement le robinet d'alimentation.

* Dans certaines régions, il est possible qu'il faille obtenir une autorisation pour effectuer les travaux de plomberie et avoir recours aux services d'un plombier qualifié.

* La vidange d'eau du distributeur de glaçons se fait par écoulement gravitaire : il faut donc s'assurer que la hauteur de chute du flexible de vidange est suffisante.

* L'eau doit être évacuée dans un bac ouvert.

* Veiller à utiliser les jeux de flexible neufs fournis avec l'appareil. Ne pas réutiliser les anciens jeux de flexible.

1) Raccorder l'extrémité coudée du flexible blanc d'arrivée d'eau (accessoire) au raccord G3/4 à l'arrière du distributeur de glaçons comme cela est indiqué, en veillant à placer correctement la rondelle d'étanchéité en caoutchouc. Serrer manuellement de manière à obtenir un raccordement étanche.

2) Fixer l'autre extrémité du flexible d'arrivée au robinet d'eau, en veillant à ce que la rondelle soit correctement positionnée, avant de serrer manuellement comme indiqué ci-dessus.

3) A l'aide d'une clé adaptée, serrer le mamelon Rc1/2-G3/4 (accessoire) sur le raccord R1/2 à l'arrière du distributeur de glaçons comme indiqué. Utiliser du ruban PTFE et/ou un mastic d'étanchéité adéquat pour former un joint étanche.

Remarque : les produits d'étanchéité pour joints doivent être approuvés et adaptés à une utilisation avec de l'eau potable.

4) Raccorder le flexible gris de vidange (accessoire) sur l'extrémité libre du mamelon Rc1/2-G3/4 comme cela est indiqué, en contrôlant le placement correct de la rondelle d'étanchéité en caoutchouc avant de serrer le joint à la main. Ce flexible peut être coupé à la longueur souhaitée en fonction de la position de vidange principale.

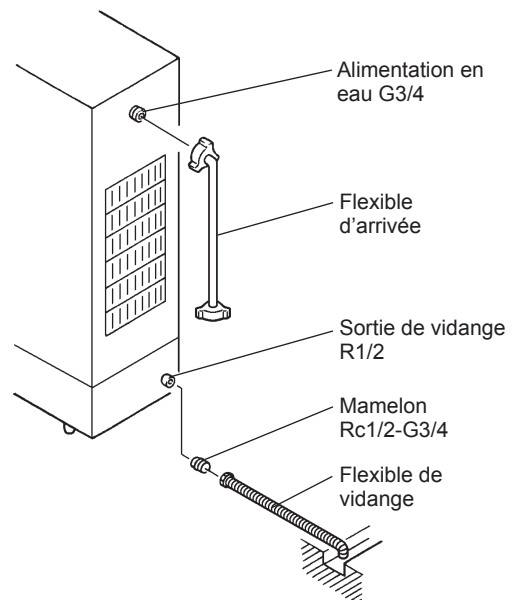


Fig. 3

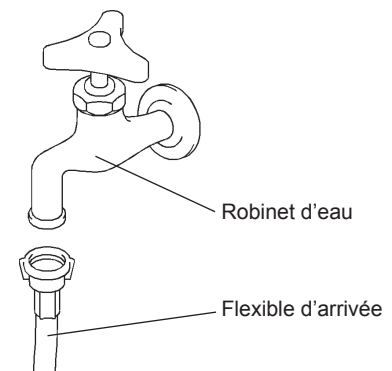


Fig. 4

II. CONSIGNES D'UTILISATION

AVERTISSEMENT

1. Ce distributeur de glaçons est conçu pour produire et stocker de la glace alimentaire. Pour le maintenir dans un parfait état d'hygiène, procéder comme suit :
 - * Conserver la grille dans un état de propreté irréprochable. La nettoyer en utilisant un produit nettoyant neutre et la rincer soigneusement.
2. L'utilisation de tout appareil électrique implique le respect de certaines règles fondamentales. En particulier :
 - * En cas de forte humidité, les risques de court-circuit et d'électrocution augmentent. En cas de doute, débrancher le distributeur de glaçons.
 - * Ne pas débrancher le distributeur de glaçons en tirant sur son cordon d'alimentation.
 - * Cet appareil n'a pas été conçu pour être utilisé par des personnes (enfants compris) aux capacités physiques, sensorielles ou mentales réduites, ni par des personnes dont l'expérience et les connaissances sont limitées, sauf si elles sont sous la surveillance d'une personne responsable de leur sécurité ou que celle-ci leur a donné des instructions relatives à l'utilisation de l'appareil.
 - * Surveiller les jeunes enfants pour éviter qu'ils ne jouent avec l'appareil.
3. Toutes les pièces sont réglées en usine. Tout mauvais réglage risque de provoquer une panne.
4. Si le distributeur est hors tension, attendre au moins 3 minutes avant de le remettre sous tension pour éviter d'endommager le compresseur.

1. MISE EN MARCHÉ

- 1) Ouvrir le robinet d'alimentation en eau.
- 2) Brancher le distributeur de glaçons pour lancer le processus automatique et continu de fabrication des glaçons.
- 3) Appuyer sur le bouton-poussoir et vérifier que la distribution de glaçons fonctionne correctement au bout de 30 à 60 minutes.

2. PREPARATION DU DISTRIBUTEUR DE GLAÇONS EN VUE D'UN ENTREPOSAGE DE LONGUE DUREE

- 1) Eliminer tous les glaçons de la réserve.
- 2) Fermer le robinet d'eau. Débrancher le flexible d'arrivée du robinet d'eau et purger le flexible.
- 3) Débrancher l'appareil de la prise d'alimentation.
- 4) Insérer à nouveau la fiche dans la prise d'alimentation et la retirer au bout de 30 secondes. Cette opération permet de vidanger automatiquement l'eau présente dans l'appareil.

III. ENTRETIEN

1. NETTOYAGE

AVERTISSEMENT

1. Avant toute opération de nettoyage ou d'entretien, débrancher l'alimentation électrique du distributeur de glaçons.
2. Faire nettoyer et désinfecter le circuit d'eau du distributeur de glaçons par un technicien qualifié au moins deux fois par an et faire vérifier et nettoyer le condenseur au moins une fois par an.
3. Cet appareil ne doit pas être nettoyé à l'aide d'un jet d'eau.
4. Pour prévenir toute détérioration, ne pas nettoyer les parties en plastique avec une eau à plus de 40°C ou les passer au lave-vaisselle.

[1] Partie extérieure et grille

Essuyer la partie extérieure et la grille au moins une fois par semaine à l'aide d'un chiffon doux et propre. Pour éliminer les traces de graisse ou les salissures, utiliser un chiffon imbibé d'un produit de nettoyage neutre.

[2] Filtre à air

Des filtres à air en plastique permettent de filtrer les impuretés et la poussière de l'air de façon à empêcher l'obturation du condenseur. En cas de colmatage des filtres, les performances du distributeur de glaçons seront affectées.

Retirer le filtre à air et le nettoyer avec un aspirateur au moins deux fois par mois. En cas de colmatage important, laver le filtre à air en utilisant une solution d'eau chaude et de produit nettoyant neutre. Rincer le filtre à air et le sécher correctement avant de le reposer.

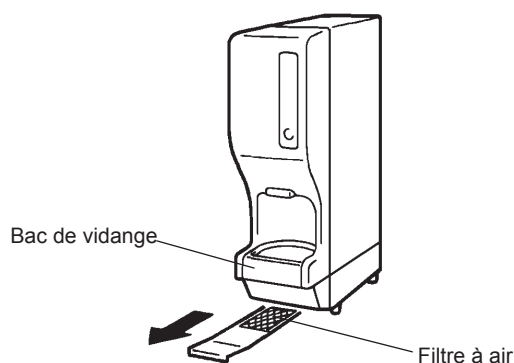


Fig. 5

[3] Bac de vidange

Au moins une fois par jour, retirer le bac de vidange et le nettoyer avec une solution d'eau chaude et de produit nettoyant neutre.

2. AVANT DE CONTACTER UN AGENT D'ENTRETIEN

AVERTISSEMENT

Veiller à ne pas endommager le circuit réfrigérant.

Si le distributeur de glaçons ne fonctionne pas correctement ou pas du tout, effectuer les contrôles suivants avant de faire appel au service d'entretien :

- * L'appareil est sous tension.
- * Le robinet d'eau est ouvert.
- * Le filtre à air est propre.

Pour tout autre conseil ou assistance, contacter le réparateur Hoshizaki le plus proche de chez vous.

3. GARANTIE

Hoshizaki garantit au propriétaire/à l'utilisateur d'origine que tous les produits portant la marque Hoshizaki seront exempts de tout défaut et/ou vice de fabrication au cours de la « période de garantie ». La garantie est valable deux ans à compter de la date d'installation.

La responsabilité de Hoshizaki aux termes de la garantie est limitée et exclut les interventions d'entretien de routine, de nettoyage, de maintenance essentielle et/ou les réparations découlant d'une utilisation abusive et d'installations non conformes aux directives de Hoshizaki.

Les réparations effectuées au titre de la garantie doivent être effectuées par un revendeur ou un réparateur agréé Hoshizaki utilisant des composants Hoshizaki d'origine.

Pour tout renseignement sur votre garantie et les réparateurs agréés, veuillez contacter votre revendeur/fournisseur ou le centre de réparation Hoshizaki européen le plus proche :

Royaume-Uni/Irlande - Hoshizaki UK
 TEL. : +44 (0)845 456 0585
 FAX : +44 (0)1462 499080

Pays-Bas - Hoshizaki Europe
 TEL. : +31 (0)20 6918499
 FAX : +31 (0)20 6918768

Belgique/Luxembourg - Hoshizaki Belgium
 TEL. : +32 (0)2 7123030
 FAX : +32 (0)2 7123031

Allemagne/Suisse/Autriche - Hoshizaki Deutschland
 TEL. : +49 (0)2154 92810
 FAX : +49 (0)2154 928128

France - Hoshizaki France
 TEL. : +33 (0)1 48639380
 FAX : +33 (0)1 48639388

Espagne/Portugal - Hoshizaki Iberia
 TEL. : +34 (0)93 4780952
 FAX : +34 (0)93 4780900

Autres pays - Hoshizaki Europe
 TEL. : +31 (0)20 6918499 ou +44 (0)845 456 0585
 FAX : +31 (0)20 6918768 ou +44 (0)1462 499080

Ce produit comprend un système de réfrigération hermétiquement fermé qui contient des gaz à effet de serre fluorés couverts par le Protocole de Kyoto :

DSM-12CE R134a / GWP 1430 / 0,065 kg

Ce produit est isolé à l'aide de mousse soufflée avec des gaz à effet de serre fluorés.

DECLARATION DE CONFORMITE CE

Constructeur : Hoshizaki Electric Co., Ltd.
3-16 Minamiyakata, Sakae, Toyoake-shi,
Aichi 470-1194 Japon

Nous affirmons par la présente que les machines indiquées ci-après ont été fabriquées par notre société en conformité avec les normes essentielles de santé et de sécurité fixées par les réglementations CE suivantes :

Réglementations CE : Directive EMC (2004/108/CE)
Directive basse tension (2006/95/CE)

Normes européennes harmonisées appliquées : EN 55014-1 (EMC)
EN 55014-2 (EMC)
EN 61000-3-2 (EMC)
EN 61000-3-3 (EMC)
EN 61000-4-2 (EMC)
EN 61000-4-3 (EMC)
EN 61000-4-4 (EMC)
EN 61000-4-5 (EMC)
EN 61000-4-6 (EMC)
EN 61000-4-11 (EMC)
EN 60335-1 (LVD)
EN 60335-2-24 (LVD)
EN 62233 (EMF)

Date initiale du marquage CE : 1997

Description du produit : Machine à glace Hoshizaki

Modèle(s) : DSM-12CE

Représentant autorisé : Hoshizaki Europe B.V.
Keienbergweg 50 C/D, 1101 GC Amsterdam,
Pays-Bas

Nom : Akira Kamiya

Titre : Directeur général

La validité de la présente déclaration sera annulée si des modifications sont apportées à ces machines sans notre autorisation.

WICHTIG

1. Diese Bedienungsanleitung ist ein integraler und wesentlicher Bestandteil des Produkts und ist deshalb vom Benutzer aufzubewahren. Bitte lesen Sie die Hinweise und Warnungen sorgfältig durch, da sie wichtige Informationen für die sachgemäße Installation, einen langen, sicheren Gebrauch und die Wartung des Produkts enthalten. Bitte bewahren Sie diese Bedienungsanleitung auf, damit Sie bei Bedarf darauf zurückgreifen können.
2. Dieser Eisspender für den gewerblichen Einsatz sollte ausschließlich für den vorgesehenen Zweck benutzt werden. Jede andere Verwendung ist als Zweckentfremdung und somit als gefährlich anzusehen. Der Hersteller übernimmt keine Haftung oder Verantwortung für Schäden, die durch missbräuchliche, falsche oder unangemessene Verwendung verursacht werden.

I. INSTALLATIONSANLEITUNG

WARNUNG

1. Die Installation ist von qualifiziertem Personal in Übereinstimmung mit geltenden Vorschriften nach Angaben des Herstellers auszuführen.
2. Die Lüftungsöffnungen im Gerätegehäuse oder im Innern des Gerätes nicht blockieren.

1. AUSPACKEN

WARNUNG

Kindern sollten keinen Zugang zum Verpackungsmaterial (Kunststoffbeutel und Polystyrol) haben, da dieses eine mögliche Gefahrenquelle darstellt.

VORSICHT

Versandkarton, Klebeband und Verpackung entfernen. Im Eisspender zurückgelassenes Verpackungsmaterial beeinträchtigt den Betrieb des Eispenders.

- 1) Nach dem Entfernen der Verpackung sicherstellen, dass der Eisspender einwandfrei ist. Im Zweifelsfall das Gerät nicht verwenden, sondern qualifiziertes Fachpersonal hinzuziehen.

- 2) Das Klebeband mit dem Zubehöropaket entfernen und den Inhalt überprüfen:

a) Installationssatz	
Zulaufschlauch	1
Ablaufschlauch	1
Rc1/2-G3/4-Stutzen	1
b) Winkel	1
c) Maschinenschraube	2
d) Schneidschraube	2

- 3) Klebebänder an der Netzanschlussleitung entfernen.

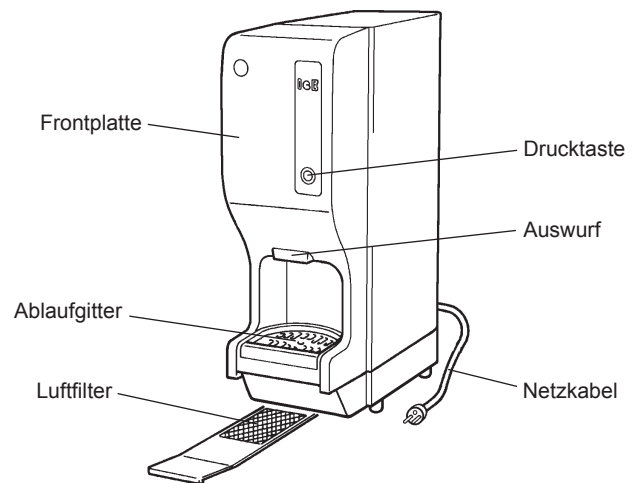


Abb. 1

2. AUFSTELLORT

WICHTIG

1. Dieser Eisspender eignet sich nicht für den Gebrauch im Freien. Für Normalbetrieb muss die Raumtemperatur zwischen 5 °C und 40 °C und die Wassertemperatur zwischen 5 °C und 35 °C liegen. Längerer Gebrauch des Eispenders bei Temperaturen außerhalb dieser normalen Temperaturgrenzwerte kann die Produktionsleistung beeinträchtigen.
2. Der Eisspender darf nicht neben Öfen, Grills oder anderen Geräten aufgestellt werden, die Hitze erzeugen.
3. Der Aufstellort für den Eisspender muss ein fester und waagerechter Untergrund sein.
4. Darauf achten, dass an der Rückseite und oben 15 cm und an den Seiten 5 cm freier Raum verbleiben, um Wartungs- und/oder Reparaturarbeiten zu erleichtern und eine einwandfreie Luftzirkulation zu ermöglichen.

5. Dieses Gerät eignet sich nicht für die Aufstellung in Räumen, in denen eventuell ein Wasserstrahl benutzt wird oder in denen ein Abtropfen nicht zulässig ist.
6. Keine Gegenstände auf die Deckplatte des Eisspenders stellen, um das Luftgitter nicht zu versperren.
7. Dieser Eisspender funktioniert nicht bei Temperaturen unter dem Gefrierpunkt. Um Schaden an der Wasserzufuhrleitung zu vermeiden, das Wasser aus dem Eisspender ablassen, sobald die Lufttemperatur unter 0 °C sinkt (siehe „II. 2. MASSNAHMEN FÜR DIE LANGFRISTIGE LAGERUNG DES EISSPENDERS“).

- * Für dieses Gerät ist eine separate Stromversorgung 220-240 V~, 13 A, erforderlich. Die Stromversorgung muss mit einem geeigneten Leistungsschutzschalter gesichert werden.
- * Die Hauptsicherung im Schaltkasten ist für eine Stromstärke von 5 A ausgelegt und darf nur von einer autorisierten Fachkraft ausgewechselt werden.
- * In der Regel wird hierzu ein Elektriker mit entsprechender Qualifikation und Zulassung benötigt.
- * Das Auswechseln des Netzkabels oder des Netzsteckers darf nur von einer qualifizierten Fachkraft ausgeführt werden.

Nur für das Vereinigte Königreich und die Republik Irland

- * Die Drähte im Netzkabel sind nach dem folgenden Farbcode gekennzeichnet:

Grün & Gelb = Erde
Blau = Nullleiter
Braun = spannungsführender Leiter

Die Farben der Adern im Netzkabel dieses Geräts stimmen möglicherweise nicht mit den Farbmarkierungen in Ihrem Stecker überein, daher bitte immer wie folgt verfahren:

Die grün-gelbe Ader ist an die Klemme im Stecker anzuschließen, die mit dem Buchstaben E oder dem Symbol \perp oder grün oder grün-gelb markiert ist. Die blaue Ader muss an die Klemme angeschlossen werden, die mit dem Buchstaben N oder schwarz gekennzeichnet ist. Die braune Ader an die mit dem Buchstaben L oder rot markierte Klemme anschließen.

- * Falls der mit dem Gerät gelieferte Stecker für die Netzsteckdose am Installationsort ungeeignet ist, muss er entfernt (bzw. wenn er verkapselt ist, abgeschnitten) und durch einen passenden Stecker ersetzt werden.

Ein abgeschnittener, verkapselter (nicht zugänglicher Stecker) muss entsorgt werden. Nicht versuchen, ihn wiederzuverwenden. Bei der Verwendung eines solchen Steckers in einer anderen Steckdose besteht die Gefahr eines elektrischen Schlags.

- * Der verkapselte Stecker ist nie ohne angebrachte Sicherungsabdeckung zu verwenden.

3. INSTALLATION

- * Eine falsche Installation kann zu Verletzungen von Menschen und Tieren oder zu Sachschäden führen, für die der Hersteller nicht haftet.
- * Den Eisspender mit Winkel, Maschinen- und Schneidschraube (Zubehör) am Thekentisch sichern. Siehe Abb. 2.

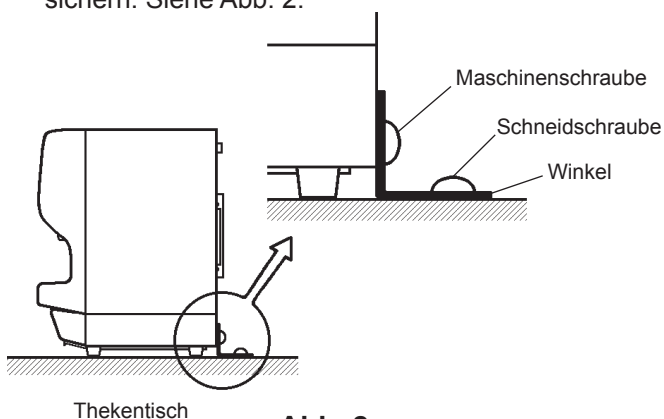


Abb. 2

4. ELEKTRISCHE ANSCHLÜSSE

— WARNUNG —

DIESES GERÄT MUSS GEERDET WERDEN

Dieser Eisspender erfordert eine den nationalen und lokalen Bestimmungen entsprechende Schutzerdung. Um schwere Körperverletzungen und Beschädigung des Geräts infolge eines elektrischen Schlages zu vermeiden, muss dieser Eisspender mit einem vorschriftsmäßigen Schutzleiter geerdet werden. Vor sämtlichen Wartungs-, Reparatur- oder Reinigungsarbeiten immer den Netzstecker ziehen.

Der richtige Ersatz für die abnehmbare Sicherungsabdeckung lässt sich anhand der Hersteller-Referenznummer ermitteln, die auf den Stecker gestanz ist.

Ersatzabdeckungen für Sicherungen sind von Hoshizaki-Ersatzteil-/Service-Zentren erhältlich.

Es sind 13-A-Sicherungen zu verwenden, die die Norm BS 1362 erfüllen.

5. WASSERZULAUF- UND WASSERABLAUFANSCHLÜSSE

WARNUNG

Nur an die Trinkwasserversorgung anschließen.

- * Die Anschlüsse an die Hauptwasserversorgung müssen entsprechend den Anforderungen der aktuellen Wasserversorgungs- oder Wasseranschlussbestimmungen ausgeführt werden.
- * Der Versorgungswasserdruck muss mindestens 0,05 MPa (0,5 bar) und darf höchstens 0,78 MPa (8 bar) betragen. Bei einem höheren Druck als 0,78 MPa (8 bar) ist ein geeignetes Druckreduzierventil zu verwenden. Der Wasserzulauf am Hahn selbst darf NICHT gedrosselt werden.
- * In bestimmten Gebieten sind eine Installationsgenehmigung und die Dienste eines zugelassenen Installateurs erforderlich.
- * Der Wasserablauf aus dem Eisspender erfolgt durch Schwerkraft, daher ist auf ein ausreichendes Gefälle des Ablaufschlauchs zu achten.
- * Das Wasser soll in einen offenen Abflusskanal ablaufen.
- * Immer die mit dem Gerät gelieferte neue Schlauchgarnitur verwenden. Alte Schlauchgarnituren nicht wiederverwenden.

1) Das abgewinkelte Ende des weißen, flexiblen Zulaufschlauches (Zubehör) auf den G3/4-Anschluss auf der Rückseite des Eisspenders schrauben. Dabei darauf achten, dass die Dichtung richtig liegt. Mit der Hand so anziehen, dass die Verbindung dicht ist.

2) Das andere Ende des Zulaufschlauches an den Wasserhahn schrauben, dabei wie oben darauf achten, dass die Gummidichtung richtig liegt und mit der Hand festziehen.

3) Mit einem geeigneten Schlüssel oder Schraubenschlüssel den Rc1/2-G3/4-Stutzen (Zubehör) in den R1/2-Anschluss auf der Rückseite des Eisspenders hineinschrauben (siehe Abbildung). PTFE-Band und/oder ein geeignetes Dichtmittel verwenden, um eine dichte Verbindung zu erhalten.

Hinweis: Dichtmittel müssen für den Gebrauch mit Trinkwasser genehmigt und geeignet sein.

4) Den grauen, flexiblen Ablaufschlauch (Zubehör) am freien Rc1/2-G3/4-Stutzen befestigen (siehe Abbildung) und vor dem Festschrauben mit der Hand darauf achten, dass der Gummidichtungsring richtig sitzt. Je nach Lage des Hauptablaufs kann dieser Schlauch auf die passende Länge zugeschnitten werden.

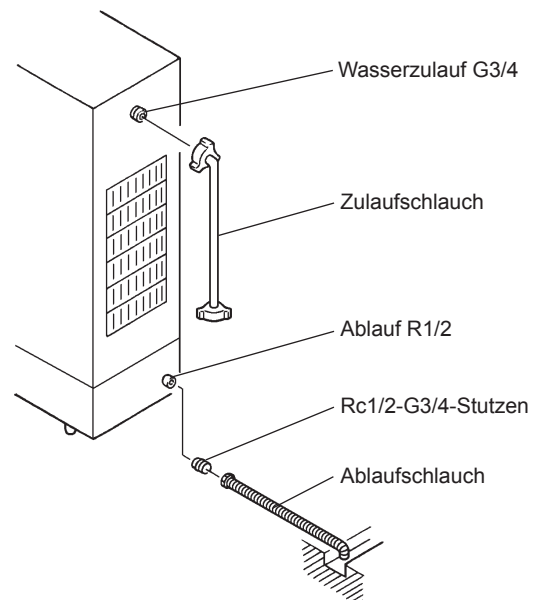


Abb. 3

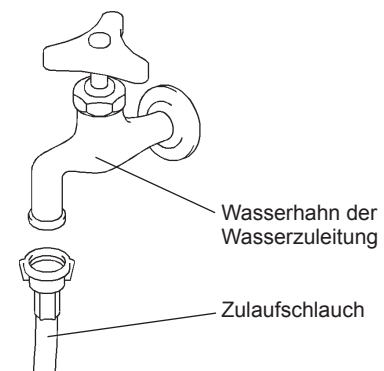


Abb. 4

II. BEDIENUNGSANLEITUNG

— WARNUNG —

1. Dieser Eisspender ist für die Herstellung und Lagerung von Trinkwassereis konzipiert. Aus Gründen der Hygiene:
 - * Das Ablaufgitter sauber halten. Stets ein neutrales Reinigungsmittel verwenden und gründlich abspülen.
2. Wie bei allen Elektrogeräten sind stets einige grundsätzliche Vorsichtsmaßnahmen zu beachten. Insbesondere:
 - * Beim Auftreten übermäßiger Feuchtigkeit oder Nässe besteht Kurzschlussgefahr, wodurch ein elektrischer Schlag verursacht werden kann. Im Zweifelsfall den Eisspender vom Netz trennen.
 - * Netzstecker nie am Kabel herausziehen.
 - * Dieses Gerät darf nicht von Personen (einschl. Kindern) benutzt werden, deren physische, sensorische oder mentale Fähigkeiten eingeschränkt sind, die über keine Erfahrung und kein Wissen verfügen, es sei denn, sie werden von einer für ihre Sicherheit verantwortlichen Person bei der Benutzung des Gerätes beaufsichtigt oder angeleitet.
 - * Jüngere Kinder sollten beaufsichtigt werden, um sicherzustellen, dass sie mit dem Gerät nicht spielen.
3. Alle Teile wurden werksseitig eingestellt. Unsachgemäße Einstellungen können zu Fehlfunktionen führen.
4. Um eine Beschädigung des Verdichters zu vermeiden, nach dem Ausschalten des Eisspenders mindestens 3 Minuten lang warten, bevor das Gerät wieder eingeschaltet wird.

1. INBETRIEBNAHME

- 1) Den Wasserhahn aufdrehen.
- 2) Den Netzstecker des Eisspenders anschließen, um den automatischen und laufenden Eisherstellungsprozess zu starten.
- 3) Drucktaste betätigen und nach ca. 30-60 Minuten die einwandfreie Eisproduktion überprüfen.

2. MASSNAHMEN FÜR DIE LANGFRISTIGE LAGERUNG DES EISSPENDERS

- 1) Das Eis vollständig aus dem Vorratsbehälter entfernen.
- 2) Wasserhahn schließen. Den Zulaufschlauch vom Wasserhahn entfernen und den Schlauch entleeren.
- 3) Die Maschine von der Netzsteckdose trennen.
- 4) Netzstecker wieder in die Steckdose einstecken und nach 30 Sekunden wieder ausstecken. Dadurch wird das Wasser in der Maschine automatisch abgelassen.

III. WARTUNG

1. REINIGUNG

— WARNUNG —

1. Vor dem Durchführen irgendwelcher Reinigungs- oder Wartungsarbeiten immer den Netzstecker des Eisspenders ziehen.
2. Den Eisspender mindestens zweimal im Jahr von qualifiziertem Fachpersonal reinigen und desinfizieren lassen, den Verflüssiger mindestens einmal im Jahr prüfen und reinigen lassen.
3. Dieses Gerät darf nicht mit einem Wasserstrahl gereinigt werden.
4. Um Beschädigungen zu vermeiden, Kunststoffteile nicht mit über 40°C heißem Wasser oder in einem Geschirrspüler reinigen.

[1] Außenflächen und Ablaufgitter

Alle Außenflächen mindestens einmal in der Woche mit einem sauberen, weichen Tuch abwischen. Fett- und Schmutzspuren mit einem feuchten Tuch und neutralem Reinigungsmittel entfernen.

[2] Luftfilter

Maschen- oder Siebfilter aus Kunststoff entfernen Schmutz oder Staub aus der Luft und verhindern das Verstopfen des Verflüssigers. Wenn die Filter verstopfen, nimmt die Leistung des Eisspenders ab.

Die Luftfilter mindestens zweimal monatlich herausnehmen und mit einem Staubsauger reinigen. Bei starker Verstopfung den Luftfilter mit warmem Wasser und einem Neutralreiniger auswaschen. Luftfilter gründlich spülen, trocknen und wieder einsetzen.

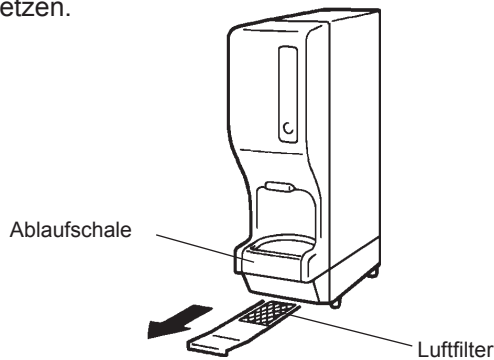


Abb. 5

[3] Ablaufschale

Die Ablaufschale mindestens einmal täglich herausziehen und mit warmem Wasser und Neutralreiniger reinigen.

2. BEVOR SIE DEN KUNDENDIENST ANRUFEN

WARNUNG
Den Kältekreislauf nicht beschädigen.

Wenn der Eisspender nicht richtig oder überhaupt nicht arbeitet, stellen Sie, bevor Sie den Kundendienst anrufen, Folgendes sicher:

- * Das Gerät ist mit dem Stromnetz verbunden.
- * Das Wasser ist eingeschaltet.
- * Der Luftfilter ist sauber.

Wenn Sie weitere Hilfe oder Rat benötigen, wenden Sie sich an Ihren Hoshizaki-Kundendienst.

3. GEWÄHRLEISTUNG

Hoshizaki garantiert dem Originalbesitzer/-benutzer, dass alle Markenprodukte von Hoshizaki für die Dauer der „Garantiezeit“ frei von Material- und/oder Verarbeitungsfehlern sind. Diese Garantie gilt für zwei Jahre ab Datum der Installation.

Die Haftung von Hoshizaki nach diesen Garantiebedingungen ist begrenzt. Sie schließt Routine- und/oder Reparaturarbeiten aus, die durch missbräuchliche Benutzung oder fehlerhafte Installation verursacht worden sind.

Garantiereparaturen sind von einem zugelassenen Hoshizaki-Händler oder -Kundendienst mit Hoshizaki-Originalbauteilen auszuführen.

Für vollständige Informationen über Garantie und zugelassene Kundendienste setzen Sie sich bitte mit Ihrem Händler/Lieferanten oder dem nächstgelegenen Hoshizaki-Servicebüro in Europa in Verbindung:

Großbritannien/Irland - Hoshizaki UK
TEL: +44 (0) 845 456 0585
FAX: +44 (0)1462 499080

Niederlande - Hoshizaki Europe
TEL: +31 (0)20 6918499
FAX: +31 (0)20 6918768

Belgien/Luxemburg - Hoshizaki Belgium
TEL: +32 (0)2 7123030
FAX: +32 (0)2 7123031

Deutschland/Schweiz/Österreich - Hoshizaki Deutschland
TEL: +49 (0)2154 92810
FAX: +49 (0)2154 928128

Frankreich - Hoshizaki France
TEL: +33 (0)1 48639380
FAX: +33 (0)1 48639388

Spanien/Portugal - Hoshizaki Iberia
TEL: +34 (0)93 4780952
FAX: +34 (0)93 4780900

Andere Länder - Hoshizaki Europe
TEL: +31 (0)20 6918499 oder +44 (0)845 456 0585
FAX: +31 (0)20 6918768 oder +44 (0)1462 499080

**Dieses Produkt enthält ein hermetisch abgeschlossenes Kältesystem mit fluorierten Treibhausgasen nach dem Kyoto-Protokoll:
DSM-12CE R134a / GWP 1430 / 0,065 kg**

Für die Isolierung dieses Produktes wurde mit fluorierten Treibhausgasen aufgeschäumter Schaumstoff verwendet.

EG-KONFORMITÄTSERKLÄRUNG

Hersteller: Hoshizaki Electric Co., Ltd.
3-16 Minamiyakata, Sakae, Toyoake-shi,
Aichi 470-1194 Japan

Wir erklären hiermit, dass das unten aufgeführte Gerät, das von uns hergestellt wird, die wesentlichen Sicherheits- und Gesundheitsanforderungen der folgenden EU-Richtlinien erfüllt:

EG-Richtlinien: Richtlinie zur elektromagnetischen Verträglichkeit
(2004/108/EG)
Niederspannungsrichtlinie (2006/95/EG)

Angewandte harmonisierte europäische Normen: EN 55014-1 (EMV)
EN 55014-2 (EMV)
EN 61000-3-2 (EMV)
EN 61000-3-3 (EMV)
EN 61000-4-2 (EMV)
EN 61000-4-3 (EMV)
EN 61000-4-4 (EMV)
EN 61000-4-5 (EMV)
EN 61000-4-6 (EMV)
EN 61000-4-11 (EMV)
EN 60335-1 (LVD)
EN 60335-2-24 (LVD)
EN 62233 (EMV)

CE-Kennzeichnung zum ersten Mal angewendet: 1997

Produktbeschreibung: Hoshizaki Eisbereiter

Modell(e): DSM-12CE

Autorisierte Vertretung: Hoshizaki Europe B.V.
Keienbergweg 50 C/D, 1101 GC Amsterdam,
Niederlande

Name: Akira Kamiya

Stellung: Geschäftsführer

Alle Änderungen, die ohne unsere Zustimmung an der (den) Maschine(n) vorgenommen werden, machen diese Konformitätserklärung ungültig.

BELANGRIJK

1. Dit boekje vormt een integraal en essentieel onderdeel van het product en moet goed worden bewaard door de gebruiker. Lees de richtlijnen en waarschuwingen in dit boekje zorgvuldig door, aangezien deze zijn bedoeld om de installateur/gebruiker te voorzien van essentiële informatie voor een correcte installatie, alsmede voor een veilig gebruik en onderhoud van het product op de lange termijn. Bewaar dit boekje zodat u het later, indien nodig, opnieuw kunt raadplegen.
2. Dit is een ijsdispenser voor commerciële doeleinden en deze machine dient uitsluitend te worden gebruikt voor de toepassingen waarvoor deze is ontworpen. Enige andere vorm van gebruik wordt als ongeschikt en dus gevaarlijk beschouwd. De fabrikant kan niet aansprakelijk of verantwoordelijk worden gesteld voor enige schade die ontstaat door ongeschikt, incorrect en onredelijk gebruik.

I. INSTALLATIE-INSTRUCTIES

WAARSCHUWING

1. De installatie van de ijsdispenser mag uitsluitend door gekwalificeerd personeel en overeenkomstig de plaatselijk geldende voorschriften worden uitgevoerd, waarbij de instructies van de fabrikant dienen te worden gevolgd.
2. Houd ventilatieopeningen, zowel in de behuizing van de machine als in de inbouwstructuur, vrij van obstakels.

1. UITPAKKEN

WAARSCHUWING

Kinderen moeten buiten het bereik van het verpakkingsmateriaal (plastic zakken en geëxpandeerd polystyreen) worden gehouden aangezien dit mogelijke bronnen van gevaar zijn.

LET OP

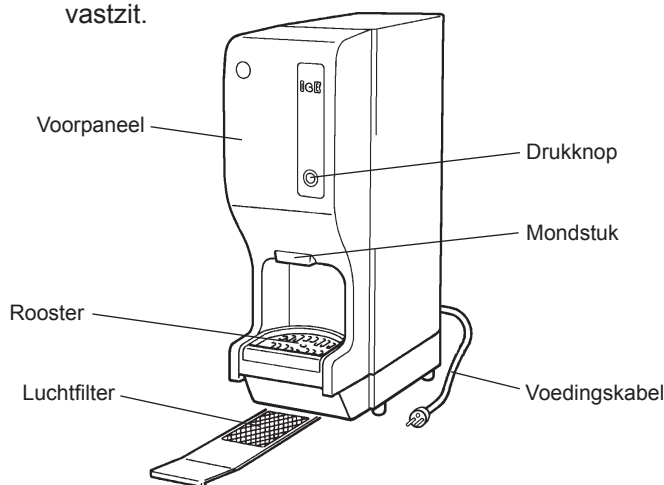
Verwijder kartonnen doos, tape en ander verpakkingsmateriaal. Als er verpakkingsmateriaal in de ijsdispenser achterblijft, zal deze niet goed werken.

1) Controleer, nadat u de verpakking hebt verwijderd, of de ijsdispenser in goede staat verkeert. Gebruik het apparaat niet in geval van twijfel, maar raadpleeg bevoegd servicepersoneel.

2) Verwijder de tape waarmee het pakket met toebehoren aan de verpakking is bevestigd en controleer de inhoud:

a) Installatieset	
Toevoerslang	1
Afvoerslang	1
1/2-G3/4"-verloopnippel	1
b) Beugel	1
c) Plaatschroef	2
d) Zelftappende schroef	2

3) Verwijder de tape waarmee de voedingskabel vastzit.



Afb. 1

2. PLAATSING

BELANGRIJK

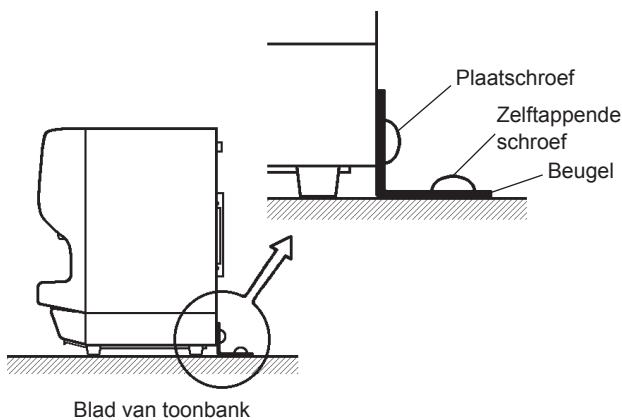
1. De ijsdispenser is niet bestemd voor gebruik buitenshuis. De omgevingstemperatuur moet tussen 5 °C en 40 °C liggen en de watertemperatuur tussen 5 °C en 35 °C. Langdurig gebruik van de ijsdispenser buiten de genoemde temperatuurwaarden kan de productiecapaciteit nadelig beïnvloeden.
2. De ijsdispenser mag niet naast een oven, grill of andere apparatuur die veel warmte afgeeft, worden geplaatst.
3. De ijsdispenser moet waterpas op een stevige ondergrond worden geplaatst.
4. Houd aan de achterkant en de bovenkant een vrije ruimte van 15 cm en aan de zijkanten van 5 cm aan. Dit waarborgt een optimale luchtcirculatie en vergemakkelijkt onderhouds- en/of reparatiewerkzaamheden.

5. De machine mag niet worden geplaatst in een ruimte die met een waterstraal wordt schoongespoten of in ruimten waar veel condensvocht is.
6. Plaats geen andere apparaten of voorwerpen boven op de ijsdispenser die het ventilatorrooster blokkeren.
7. Deze ijsdispenser werkt niet bij temperaturen onder het vriespunt. Voorkom schade aan de watertoevoerleiding door het water uit het systeem af te tappen zodra de luchttemperatuur onder 0 °C daalt (zie "II. 2. DE IJSDISPENSER GEREEDMAKEN VOOR LANGDURIGE OPSLAG").

- * Deze machine vereist een aparte voeding van 220 - 240 V wisselstroom, 13 A. Het stopcontact moet worden beschermd door een geschikte stroomonderbreker.
- * De hoofdzekering van de besturingskast heeft een nominale waarde van 5 A en mag alleen worden vervangen door een erkende onderhoudsmonteur.
- * Normaalgesproken dient men te beschikken over de juiste vergunningen en/of de hulp in te roepen van een erkende elektricien.
- * Wanneer de netvoedingskabel en/of stekker vervangen moet worden, mag dit alleen worden gedaan door een erkende onderhoudsmonteur.

3. INSTALLATIE

- * Onjuiste installatie van de ijsmachine kan schade toebrengen aan mens, dier en omgeving. De fabrikant aanvaardt geen aansprakelijkheid voor schade en/of letsel ten gevolge van het onjuist installeren van de machine.
- * Zet de ijsdispenser met de beugel, plaatschroeven en zelftappende schroeven (meegeleverd) vast aan het blad van de toonbank. Zie Afb. 2.



Afb. 2

4. ELEKTRISCHE AANSLUITINGEN

WAARSCHUWING

DEZE MACHINE MOET WORDEN GEAARD

Deze ijsdispenser moet worden geaard volgens de geldende voorschriften. Ter voorkoming van ernstig persoonlijk letsel en materiële schade als gevolg van elektrische schokken, dient deze ijsdispenser te worden voorzien van een correct aangebrachte aardleiding. Verwijder de stekker uit het stopcontact voordat u onderhoud, reparaties of reinigingswerkzaamheden gaat uitvoeren.

Alleen voor het Verenigd Koninkrijk en Ierland

- * De draden van de netvoeding hebben een kleurcode:

Groen/geel = aarde
Blauw = neutraal
Bruin = stroomvoerend

Als de gekleurde draden in de voedingskabel van deze machine zijn aangesloten op stekkerpolen met een afwijkende kleur, dient u het volgende te doen:

Sluit de groen/gele draad in de stekker aan op de groen/gele of groene stekkerpool of anders op de stekkerpool die is aangeduid met de letter E of het symbool $\frac{\perp}{-}$. Sluit de blauwe draad aan op de zwarte stekkerpool of op de stekkerpool die is aangeduid met de letter N. Sluit de bruine draad aan op de rode stekkerpool of op de stekkerpool die is aangeduid met de letter L.

- * Als het stopcontact waarop u de ijsmachine wilt aansluiten niet geschikt is voor de stekker die aan de voedingskabel van de ijsmachine zit, dient de stekker te worden verwijderd (een gegoten stekker wordt afgesneden) en vervangen door een geschikte stekker.

De gegoten stekker die van de voedingskabel is afgesneden, moet worden weggegooid. Deze mag niet opnieuw worden gebruikt. Wanneer deze stekker elders in een stopcontact wordt gestoken, zorgt dit voor een groot risico van elektrische schokken.

- * De gegoten stekker mag uitsluitend in combinatie met een zekeringhouder worden gebruikt.

Het referentienummer van de fabrikant is in de stekker ingeslagen. In geval u de zekeringhouder vervangt, dient een vervangend exemplaar van hetzelfde type te worden gebruikt.

Zekeringhouders zijn te verkrijgen via de onderdelen- en servicecentra van Hoshizaki.

Gebruik zekeringen van 13 A die zijn goedgekeurd volgens BS 1362.

5. AANSLUITING VAN WATERTOEFVOER- EN WATERAFVOERLEIDINGEN

WAARSCHUWING

Mag alleen worden aangesloten op een drinkwaterleiding.

* De aansluitingen op de drinkwaterleiding moeten worden uitgevoerd in overeenstemming met de huidige vereisten van het land in de regelgeving met betrekking tot watertoevoer of -accessoires.

* De watertoevoerdruk moet tenminste 0,05 MPa (0,5 bar) bedragen en mag niet hoger dan 0,78 MPa (8 bar) zijn. Als de waterdruk hoger is dan 0,78 MPa (8 bar), moet gebruik worden gemaakt van een reduceerventiel. De watertoevoerkraan mag voor dit doel NIET gedeeltelijk worden dichtgedraaid.

* In sommige gebieden kan een loodgietersvergunning of het inschakelen van een erkende loodgieter verplicht zijn.

* De waterafvoer van de ijsdispenser stroomt onder natuurlijk verval, dus zorg ervoor dat de afvoerslang voldoende verval heeft.

* Water moet worden afgevoerd in een open waterslot.

* Gebruik de nieuwe slangensets die met het apparaat zijn meegeleverd. Gebruik oude slangensets niet opnieuw.

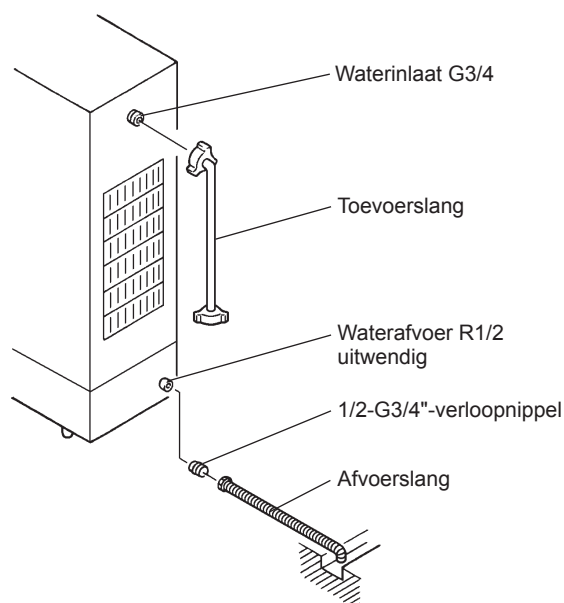
1) Bevestig het gebogen uiteinde van de witte toevoerslang (meegeleverd) aan de uitwendige G3/4-aansluiting op de achterkant van de ijsdispenser zoals aangegeven. Let er daarbij op dat de rubber afdichtring goed is aangebracht. Voorkom lekkage door de aansluiting handvast aan te draaien.

2) Bevestig het andere uiteinde van de toevoerslang aan de waterkraan. Zorg ervoor dat de afdichtring goed is aangebracht voordat u de aansluiting handvast aandraait.

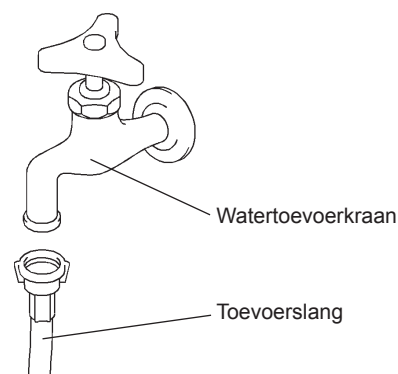
3) Draai de 1/2-G3/4"-verloopnippel (meegeleverd) met behulp van een geschikte (schroef)sleutel in de R1/2-aansluiting aan de achterkant van de ijsdispenser, zoals aangegeven. Voor een lekvrije verbinding moet PTFE-tape en/of een geschikte afdichtingspasta worden gebruikt.

Opmerking: de koppelingselementen moeten zijn goedgekeurd en moeten geschikt zijn voor gebruik met drinkwater.

4) Draai de flexibele grijze afvoerslang (meegeleverd) handvast aan op het vrije uiteinde van de 1/2-G3/4"-verloopnippel, zoals aangegeven. Zorg er daarbij voor dat de rubber afdichtingsring goed is aangebracht voor een lekvrije aansluiting. Deze slang kan zo nodig op lengte worden gesneden voor een passende aansluiting op de hoofdafvoer.



Afb. 3



Afb. 4

II. BEDIENING

WAARSCHUWING

1. Deze ijsdispenser is bestemd voor de productie en opslag van ijs dat voor consumptie is bedoeld. Neem de volgende punten in acht om de machine hygiënisch schoon te houden:
 - * Houd het rooster schoon. Gebruik voor het reinigen een neutraal reinigingsmiddel en spoel grondig na.
2. Bij het gebruik van elektrische apparaten moeten bepaalde regels in acht worden genomen. In het bijzonder:
 - * Vocht en hoge luchtvochtigheid verhogen de kans op kortsluiting en elektrische schokken. Trek de stekker van de machine uit het stopcontact als u niet zeker bent van de condities in de ruimte waar de machine is geplaatst.
 - * Trek uitsluitend aan de stekker en niet aan de voedingskabel zelf als u de machine van de netvoeding wilt loskoppelen.
 - * Dit apparaat is niet bedoeld voor gebruik door personen (inclusief kinderen) met verminderde fysieke, zintuiglijke of geestelijke capaciteiten, of een gebrek aan ervaring en kennis, tenzij dit gebeurt onder toezicht van of na het verkrijgen van instructies met betrekking tot het gebruik door een persoon die verantwoordelijk is voor hun veiligheid.
 - * Jonge kinderen moeten worden begeleid om er zeker van te zijn dat zij niet met het apparaat gaan spelen.
3. Alle onderdelen zijn in de fabriek afgesteld. Onjuiste aanpassingen kunnen leiden tot storingen.
4. Om schade aan de compressor te voorkomen, dient u ten minste 3 minuten te wachten met het opnieuw inschakelen van de ijsdispenser nadat deze is uitgeschakeld.

1. OPSTARTEN

- 1) Draai de watertoevoerkraan open.
- 2) Steek de stekker van de ijsdispenser in het stopcontact om het automatische en continue ijsproductieproces te starten.
- 3) Druk op de drukknop en controleer na 30 tot 60 minuten of de ijsdispenser correct werkt.

2. DE IJSDISPENSER GEREEDMAKEN VOOR LANGDURIGE OPSLAG

- 1) Verwijder al het ijs uit de opslagbunker.
- 2) Draai de waterkraan dicht. Koppel de toevoerslang los van de waterkraan en verwijder het water uit de slang.
- 3) Haal de stekker van het apparaat uit het stopcontact.
- 4) Steek de stekker van het apparaat opnieuw in het stopcontact en haal de stekker na 30 seconden er weer uit. Hierdoor wordt automatisch het water in het apparaat afgevoerd.

III. ONDERHOUD

1. REINIGEN

WAARSCHUWING

1. Haal de stekker van de machine uit het stopcontact voordat u met reinigings- of onderhoudswerkzaamheden begint.
2. Het watersysteem van de ijsdispenser moet ten minste tweemaal per jaar worden gereinigd en gezuiverd door een professionele onderhoudsmonteur. Daarnaast moet de condensor ten minste eenmaal per jaar worden gecontroleerd en gereinigd.
3. Deze machine mag niet worden gereinigd met behulp van een waterstraal of hogedrukreiniger.
4. Voorkom mogelijke schade door de kunststof onderdelen niet met water warmer dan 40SDgrC of in een afwasmachine te reinigen.

[1] Buitenkant en rooster

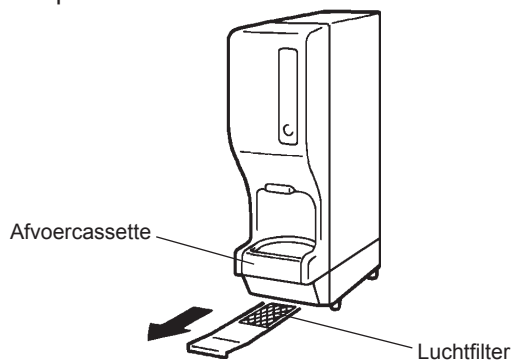
Reinig de buitenkant en het rooster van de ijsdispenser ten minste eenmaal per week met een schone, zachte doek. Gebruik een vochtige doek met wat neutraal reinigingsmiddel voor het verwijderen van vet en vuil.

[2] Luchtfilter

Kunststof luchtfilters halen vuil en stof uit de lucht en voorkomen dat de condensor verstopt raakt. Als

de filters verstopt raken, gaat de ijsdispenser minder goed werken.

Verwijder en reinig het luchtfilter ten minste tweemaal per maand met een stofzuiger. Gebruik bij ernstige vervuiling warm water en een neutraal schoonmaakmiddel om het luchtfilter schoon te maken. Spoel het luchtfilter goed schoon, droog het grondig af en breng het vervolgens weer in de juiste positie aan.



Afb. 5

[3] Afvoercassette

Trek de afvoercassette ten minste eenmaal per dag uit en maak deze schoon met warm water en een neutraal schoonmaakmiddel.

2. VOORDAT U BELT VOOR SERVICE

WAARSCHUWING

Beschadig het koelmiddelcircuit niet.

Als de ijsdispenser niet goed of helemaal niet werkt, controleert u het volgende voordat u een servicemedewerker inschakelt:

- * De machine heeft stroom.
- * De watertoevoer is ingeschakeld.
- * Het luchtfilter is schoon.

Neem voor nadere assistentie of advies contact op met uw plaatselijke Hoshizaki-serviceagent.

3. GARANTIE

Hoshizaki garandeert de oorspronkelijke eigenaar/gebruiker dat alle producten van het merk Hoshizaki vrij zijn van materiaal- en/of productiefouten voor de duur van de "garantieperiode". De garantie is twee jaar geldig gerekend vanaf de installatiedatum.

De aansprakelijkheid van Hoshizaki in het kader van de garantie is beperkt en omvat geen routine-onderhoud, reiniging, essentieel onderhoud en/of reparaties ten gevolge van onjuist gebruik en installaties die niet volgens de richtlijnen van Hoshizaki zijn uitgevoerd.

Reparaties in het kader van de garantie moeten worden uitgevoerd door een goedgekeurde Hoshizaki-dealer of serviceorganisatie met behulp van authentieke Hoshizaki-onderdelen.

Voor volledige informatie over uw garantie en over goedgekeurde servicebedrijven, raadpleegt u uw dealer/leverancier of de dichtstbijzijnde servicevestiging van Hoshizaki in Europa:

Verenigd Koninkrijk/Ierland - Hoshizaki UK

TEL: +44 (0)845 456 0585

FAX: +44 (0)1462 499080

Nederland - Hoshizaki Europe

TEL: +31 (0)20 6918499

FAX: +31 (0)20 6918768

België/Luxemburg - Hoshizaki Belgium

TEL: +32 (0)2 7123030

FAX: +32 (0)2 7123031

Duitsland/Zwitserland/Oostenrijk - Hoshizaki

Deutschland

TEL: +49 (0)2154 92810

FAX: +49 (0)2154 928128

Frankrijk - Hoshizaki France

TEL: +33 (0)1 48639380

FAX: +33 (0)1 48639388

Spanje/Portugal - Hoshizaki Iberia

TEL: +34 (0)93 4780952

FAX: +34 (0)93 4780900

Overige landen - Hoshizaki Europe

TEL: +31 (0)20 6918499 of +44 (0)845 456 0585

FAX: +31 (0)20 6918768 of +44 (0)1462 499080

Dit product bevat een hermetisch afgesloten koelsysteem dat gefluorineerde broeikasgasen bevatten waarop het Kyoto-protocol van toepassing is:

DSM-12CE

R134a / GWP 1.430 / 0,065kg

Dit product is geïsoleerd met schuim dat is geblazen met behulp van gefluorineerde broeikasgasen.

CONFORMITEITSVERKLARING VOOR DE EU

Fabrikant: Hoshizaki Electric Co., Ltd.
3-16 Minamiyakata, Sakae, Toyoake-shi,
Aichi 470-1194 Japan

Hierbij verklaren wij dat de onderstaande, door ons gefabriceerde machine(s) voldoet of voldoen aan de essentiële vereisten op het gebied van de gezondheid en veiligheid die worden beschreven in de volgende EG-richtlijnen:

EG-richtlijnen: EMC-richtlijn (2004/108/EG)
Laagspanningsrichtlijn (2006/95/EG)

Toegepaste geharmoniseerde Europese normen: EN 55014-1 (EMC)
EN 55014-2 (EMC)
EN 61000-3-2 (EMC)
EN 61000-3-3 (EMC)
EN 61000-4-2 (EMC)
EN 61000-4-3 (EMC)
EN 61000-4-4 (EMC)
EN 61000-4-5 (EMC)
EN 61000-4-6 (EMC)
EN 61000-4-11 (EMC)
EN 60335-1 (LVD)
EN 60335-2-24 (LVD)
EN 62233 (EMF)

Eerste toekenning CE-markering: 1997

Productomschrijving: IJsmachine van Hoshizaki

Model(len): DSM-12CE

Geautoriseerde vertegenwoordiger: Hoshizaki Europe B.V.
Keienbergweg 50 C/D, 1101 GC Amsterdam,
Nederland

Naam: Akira Kamiya

Functie: Managing Director

Deze verklaring is niet langer geldig als er zonder onze goedkeuring wijzigingen worden aangebracht in of aan de machine(s).

— IMPORTANTE —

1. Este folleto es una parte integral y esencial del producto y el usuario debe guardarlo en buenas condiciones. Por favor, lea atentamente las indicaciones y observaciones de este folleto que tratan de ofrecer al instalador/usuario toda la información esencial para la instalación correcta, el uso seguro y el mantenimiento del producto. Por favor, guarde este folleto para cualquier futura consulta que sea necesaria.

2. Este dispensador de cubitos de hielo comercial sólo debe utilizarse para los fines para los que ha sido expresamente diseñado. Cualquier otra utilización deberá considerarse inadecuada y, por lo tanto, potencialmente peligrosa. El fabricante no será responsable de ningún daño causado por un uso incorrecto, inadecuado o irracional.

I. INSTRUCCIONES DE INSTALACIÓN

— ADVERTENCIA —

1. La instalación debe ser realizada únicamente por personal cualificado, de acuerdo con la normativa vigente y con las instrucciones del fabricante.

2. Mantenga los orificios de ventilación, de la carcasa de la máquina o de la estructura integrada, libres de cualquier obstrucción.

1. DESEMBALAJE

— ADVERTENCIA —

No deje al alcance de los niños el material de embalaje (bolsas de plástico y poliestireno expandido), ya que son fuentes potenciales de peligro.

— PRECAUCIÓN —

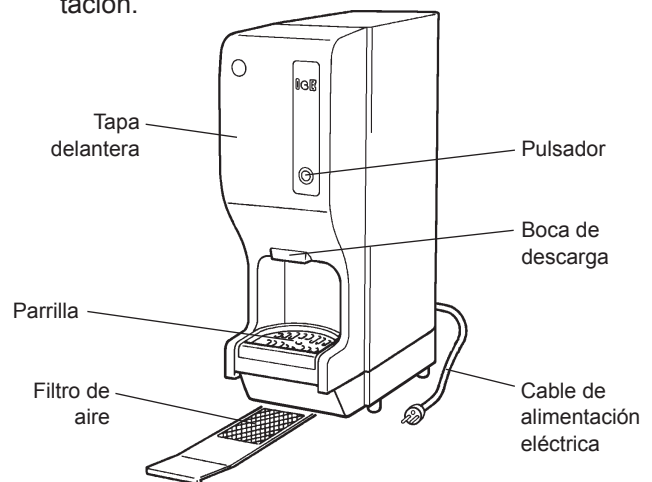
Retire el cartón, la(s) cinta(s) y el embalaje de expedición. Si queda algún material de embalaje en el dispensador de cubitos de hielo, éste no funcionará correctamente.

1) Una vez haya retirado el embalaje, verifique que el dispensador de cubitos de hielo se encuentre en buen estado. En caso de duda, no use el equipo y consulte a profesionales cualificados.

2) Extraiga las cintas de embalaje que sujetan al paquete de accesorios y verifique su contenido:

a) Kit de instalación	
Manguera de entrada	1
Manguera de salida	1
Boquilla Rc 1/2-G3/4	1
b) Anclaje	
	1
c) Tornillo de la máquina	
	2
d) Macho de roscar	
	2

3) Retire las cintas que sujetan al cable de alimentación.



Ilust. 1

2. UBICACIÓN

— IMPORTANTE —

1. Este dispensador de cubitos de hielo no está diseñado para uso en el exterior. La temperatura ambiente de funcionamiento normal debe situarse entre 5 °C y 40 °C. La temperatura de funcionamiento normal del agua debe situarse entre 5 °C y 35 °C. La utilización del dispensador de hielo fuera de estos márgenes de temperatura normal durante periodos prolongados puede afectar a su capacidad de producción.

2. El dispensador de cubitos de hielo no debe colocarse cerca de hornos, parrillas u otras fuentes de calor.

3. El equipo debe ubicarse sobre una base firme y nivelada a la altura normal de un mostrador.

4. Deje un espacio de 15 cm en la parte posterior y superior y de 5 cm en los laterales para permitir la circulación de aire y facilitar las operaciones de mantenimiento y/o reparación que sean necesarias.

5. Este equipo no debe instalarse en un lugar en el que pueda utilizarse un chorro de agua y donde no esté permitida la formación de gotas.
6. No coloque nada encima del dispensador de cubitos de hielo que obstruya la rejilla de ventilación.
7. Esta máquina de hielo no funciona a temperaturas inferiores al punto de congelación del agua. Para prevenir averías en la tubería de suministro de agua, drene el dispensador de hielo cuando la temperatura del aire sea inferior a cero (véase "II. 2. PREPARACIÓN DEL DISPENSADOR DE HIELO PARA UN ALMACENAMIENTO PROLONGADO").

- * Este equipo necesita una alimentación de 220 – 240 VCA, 13 A aparte. El suministro eléctrico debe protegerse con un disyuntor apropiado.
- * El fusible principal de la caja de control es de 5 A y sólo debe sustituirlo un técnico de mantenimiento cualificado.
- * Normalmente son necesarios un permiso para obras eléctricas y los servicios de un electricista acreditado.
- * En caso de que sea necesario sustituir el cable de alimentación y el enchufe, dicha sustitución debe realizarla únicamente un técnico de mantenimiento cualificado.

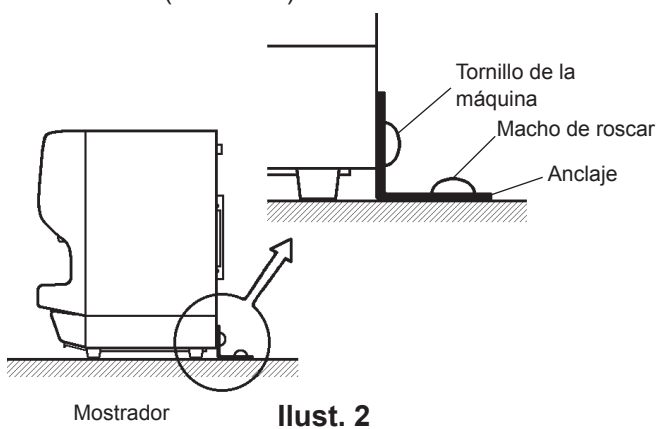
Únicamente en el Reino Unido y la República de Irlanda

- * Los hilos del cable de red están coloreados de acuerdo con el código siguiente:

Verde y amarillo = Tierra
Azul = Neutro
Marrón = Activo

3. INSTALACIÓN

- * El fabricante no se hace responsable de los daños a personas, animales o bienes materiales provocados por una instalación incorrecta.
- * Fije el dispensador de hielo al mostrador con el anclaje, los tornillos de la máquina y los machos de roscar (accesorio). Véase Ilust. 2.



4. CONEXIONES ELÉCTRICAS

ADVERTENCIA

ESTA MÁQUINA DEBE CONECTARSE A TIERRA

Este dispensador de cubitos de hielo requiere una conexión a tierra conforme a la normativa eléctrica nacional y local. Para evitar la posibilidad de fuertes descargas eléctricas a personas o graves averías del equipo, conecte al dispensador de cubitos de hielo un cable de puesta a tierra adecuado. Antes de realizar cualquier operación de mantenimiento, reparación o limpieza, desconecte la máquina del enchufe de corriente.

Es posible que los colores de los hilos del cable de red de este equipo no correspondan con las marcas de color que identifican los terminales del enchufe que se utilice. En ese caso, proceda del modo siguiente:

El hilo verde y amarillo se debe conectar al terminal del enchufe marcado con la letra E o con el símbolo $\frac{1}{\perp}$, o de color verde o de color verde-amarillo. El hilo azul debe conectarse al terminal marcado con la letra N o de color negro. El hilo marrón debe conectarse al terminal marcado con la letra L o de color rojo.

- * En caso de que las tomas de corriente del lugar donde se va a instalar no sean adecuadas para el enchufe que se suministra con el producto, debe sustituirse el enchufe (cortándolo si está moldeado) por uno adecuado.

Si la clavija no reutilizable se ha cortado del cable de alimentación, dicha clavija debe desecharse. No trate de reutilizarla. La introducción de esta clavija en cualquier toma de corriente representa un grave riesgo de descarga eléctrica.

- * La clavija no reutilizable no debe utilizarse nunca sin una tapa de fusibles montada.

El recambio correcto de la tapa de fusibles desmontable se identifica por el número de referencia del fabricante grabado en la propia clavija.

Puede obtener tapas de fusibles de repuesto en los centros de repuestos/servicio de Hoshizaki.

Los fusibles deben ser de 13 A y estar homologados según BS 1362.

5. SUMINISTRO DE AGUA Y CONEXIONES DE DRENAJE

ADVERTENCIA

Conecte la máquina únicamente a un suministro de agua potable.

* La conexión a la red de suministro general de agua debe hacerse según la regulación vigente de cada país en materia de suministro de agua o racores.

* La presión del suministro de agua debe ser de 0,05 MPa (0,5 bar) como mínimo y 0,78 MPa (8 bar) como máximo. Si la presión es superior a 0,78 MPa (8 bar), utilice una válvula reductora de presión adecuada. **NO** trate de reducir la presión actuando sobre la llave de paso.

* En algunas localidades puede ser necesario un permiso para obras de fontanería y los servicios de un fontanero acreditado.

* El drenaje del dispensador de cubitos de hielo se realiza por gravedad, por lo que la manguera de salida debe disponer de la pendiente y altura adecuadas.

* El agua debe drenar en un colector abierto.

* Asegúrese de que utiliza las mangueras nuevas que se suministran con el equipo. No reutilice ninguna manguera antigua.

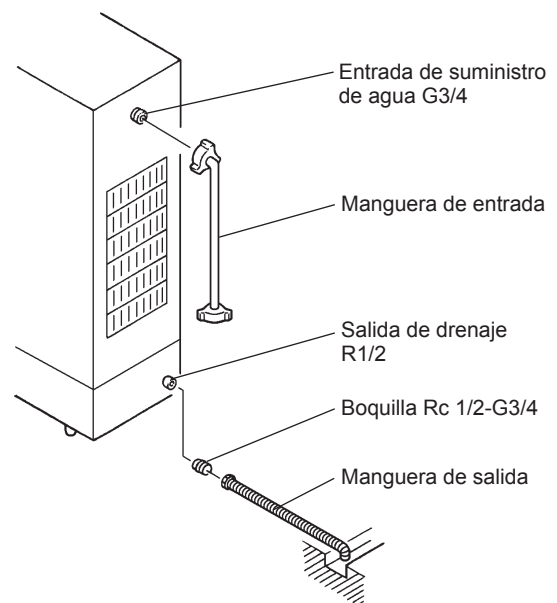
1) Una el extremo acodado de la manguera flexible blanca de entrada (accesorio) al racor G3/4 en la parte posterior del dispensador de hielo, tal como se indica, verificando que la junta de goma quede correctamente colocada, como se indica anteriormente. Apriete a mano lo suficiente para conseguir una junta estanca.

2) Acople el otro extremo de la manguera de entrada al colector de agua, comprobando, antes de apretar a mano, que la junta esté bien colocada.

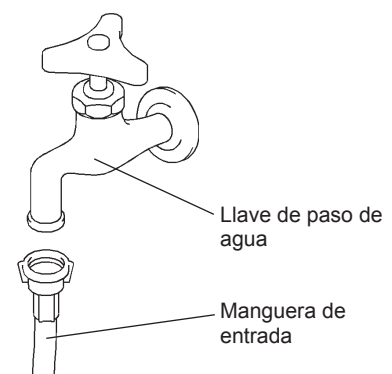
3) Con unos alicates o una llave adecuada, apriete las boquilla Rc 1/2-G3/4 (accesorio) al racor R 1/2 de la parte posterior del dispensador de hielo, tal como se muestra. Debe utilizarse cinta P.T.F.E. y/o un compuesto sellador adecuado para obtener una junta estanca.

Nota: Los componentes de la junta deben ser adecuados y homologados para uso con agua potable.

4) Conecte la manguera flexible gris de salida (accesorio) al extremo libre de la boquilla Rc1/2-G3/4 como se indica, verificando que la junta de goma quede correctamente colocada antes de apretar a mano la unión. Esta manguera puede cortarse a la longitud necesaria para adaptarlo al colector de drenaje.



Ilust. 3



Ilust. 4

II. INSTRUCCIONES DE UTILIZACIÓN

ADVERTENCIA

1. Este dispensador de cubitos de hielo ha sido diseñado para producir y almacenar hielo para el sector de la alimentación. Para mantener la higiene del dispensador de cubitos de hielo:
 - * Mantenga la parrilla limpia. Límpiela con un detergente neutro y aclárela bien.
2. El uso de cualquier aparato eléctrico requiere observar algunas normas fundamentales. En particular:
 - * Un alto grado de humedad incrementa el riesgo potencial de cortocircuitos y de descargas eléctricas. En caso de duda, desconecte el dispensador de cubitos de hielo.
 - * Para desconectar el dispensador de cubitos de hielo de la red eléctrica, no tire del cable de alimentación.
 - * Este equipo no está diseñado para uso por personas (incluidos los niños) con capacidades físicas, sensoriales o mentales reducidas, o bien, que carecen de experiencia o conocimientos adecuados, a menos que la persona responsable de su seguridad les supervise o proporcione instrucciones acerca del uso del equipo.
 - * Es necesario vigilar a los niños para que no jueguen con el equipo.
3. Todos los componentes están ajustados de fábrica. Un ajuste incorrecto puede provocar averías.
4. Si desconecta la unidad, espere al menos 3 minutos antes de ponerla de nuevo en marcha para evitar que el compresor se averíe.

1. PUESTA EN MARCHA

- 1) Abra la llave de paso del agua.
- 2) Enchufe el dispensador de hielo para iniciar el proceso de fabricación de hielo continuo y automático.
- 3) Apriete el pulsador y compruebe que la máquina dispensa cubitos correctamente al cabo de 30 - 60 minutos.

2. PREPARACIÓN DEL DISPENSADOR DE HIELO PARA UN ALMACENAMIENTO PROLONGADO

- 1) Dispense todo el hielo de la cuba de almacenamiento.
- 2) Cierre la llave de paso del agua. Desconecte la manguera de entrada de la llave de paso de agua y vacíela.
- 3) Desenchufe la máquina de la toma de corriente.
- 4) Vuelva a enchufar la máquina y desenchúfela de nuevo transcurridos 30 segundos. De este modo se drenará el agua del interior de la máquina automáticamente.

III. MANTENIMIENTO

1. LIMPIEZA

ADVERTENCIA

1. Antes de realizar cualquier operación de limpieza o mantenimiento, desenchufe el dispensador de cubitos de hielo de la red eléctrica.
2. Solicite a personal capacitado de mantenimiento la limpieza y esterilización del sistema de agua del dispensador de hielo al menos dos veces al año y la revisión y limpieza del condensador al menos una vez al año.
3. Esta máquina no debe limpiarse con un chorro de agua.
4. Para prevenir posibles averías, no limpie las piezas de plástico con agua a una temperatura superior a 40°C ni en el lavavajillas.

[1] Exterior y parrilla

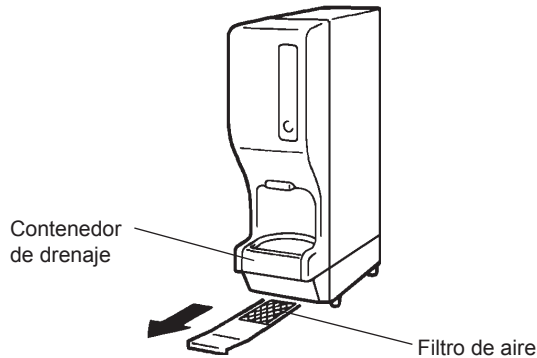
Limpie el exterior y la parrilla al menos una vez por semana con un trapo limpio y suave. Utilice un trapo humedecido con un detergente neutro para eliminar la grasa o la suciedad.

[2] Filtro de aire

Los filtros de aire con malla de plástico eliminan la suciedad o el polvo del aire y evitan que el condensador se obstruya.

Si los filtros se obstruyen, el rendimiento del dispensador de hielos se reduce.

Extraiga y limpie el filtro de aire al menos dos veces al mes con una aspiradora. Cuando el filtro de aire esté muy obstruido, utilice agua tibia y un detergente neutro para lavarlo. Aclare y seque completamente el filtro de aire y luego vuelva a montarlo en su posición correcta.



Ilust. 5

[3] Contenedor de drenaje

Al menos una vez al día, extraiga el contenedor de drenaje y límpielo con agua tibia y un limpiador neutro.

2. ANTES DE LLAMAR A UN AGENTE DE REPARACIÓN

ADVERTENCIA

No dañe el circuito del refrigerante.

Si el dispensador de hielo no funciona correctamente o no funciona en absoluto, antes de llamar al servicio de reparaciones compruebe que:

- * La unidad está conectada a la red eléctrica.
- * El agua está conectada.
- * El filtro de aire está limpio.

Para asistencia o asesoramiento adicionales, póngase en contacto con el agente de reparaciones local de Hoshizaki.

3. GARANTÍA

Hoshizaki garantiza al usuario/propietario que ninguno de los productos de su marca presentarán defectos de material o de fabricación durante la duración del "periodo de garantía". La garantía será efectiva durante dos años a partir de la fecha de instalación.

La responsabilidad de Hoshizaki según los términos de esta garantía es limitada y excluirá el servicio de rutina, la limpieza, el mantenimiento esencial y/o las reparaciones ocasionadas por uso incorrecto y por instalaciones que no se ajusten a las instrucciones de Hoshizaki.

Las reparaciones cubiertas por la garantía deberán ser realizadas por un distribuidor o centro de servicio homologado de Hoshizaki empleando componentes originales de Hoshizaki.

Para más detalles sobre la garantía y los centros de servicio técnico homologados, póngase en contacto con su distribuidor/proveedor, o con la oficina de Servicio Técnico de Hoshizaki en Europa más próxima:

R.U./Irlanda - Hoshizaki UK
TEL: +44 (0)845 456 0585
FAX: +44 (0)1462 499080

Holanda - Hoshizaki Europe
TEL: +31 (0)20 6918499
FAX: +31 (0)20 6918768

Bélgica/Luxemburgo - Hoshizaki Belgium
TEL: +32 (0)2 7123030
FAX: +32 (0)2 7123031

Alemania/Suiza/Austria - Hoshizaki Deutschland
TEL: +49 (0)2154 92810
FAX: +49 (0)2154 928128

Francia - Hoshizaki France
TEL: +33 (0)1 48639380
FAX: +33 (0)1 48639388

España/Portugal - Hoshizaki Iberia
TEL: +34 (0)93 4780952
FAX: +34 (0)93 4780900

Otros países - Hoshizaki Europe
TEL: +31 (0)20 6918499 o +44 (0)845 456 0585
FAX: +31 (0)20 6918768 o +44 (0)1462 499080

Este producto incluye un sistema de refrigeración sellado herméticamente que contiene gases fluorados de efecto invernadero que cumplen con el Protocolo de Kyoto:

DSM-12CE R134a / GWP 1430 / 0,065 kg

Este producto se ha aislado con espuma soplada con gases fluorados de efecto invernadero.

DECLARACIÓN DE CONFORMIDAD CE

Fabricante: Hoshizaki Electric Co., Ltd.
3-16 Minamiyakata, Sakae, Toyoake-shi,
Aichi 470-1194 Japón

Por la presente declaramos que la(s) máquina(s) fabricada(s) por nosotros que se describe(n) a continuación cumple(n) los requisitos esenciales de salud y seguridad exigidos por las siguientes normativas de la CE:

Normativas CE: Directiva EMC (2004/108/CE)
Directiva sobre bajo voltaje (2006/95/EC)

Normas armonizadas europeas aplicadas: EN 55014-1 (EMC)
EN 55014-2 (EMC)
EN 61000-3-2 (EMC)
EN 61000-3-3 (EMC)
EN 61000-4-2 (EMC)
EN 61000-4-3 (EMC)
EN 61000-4-4 (EMC)
EN 61000-4-5 (EMC)
EN 61000-4-6 (EMC)
EN 61000-4-11 (EMC)
EN 60335-1 (LVD)
EN 60335-2-24 (LVD)
EN 62233 (EMF)

Marcado CE fijado: 1997

Descripción del producto: Máquina de hielo de Hoshizaki

Modelo(s): DSM-12CE

Representante autorizado: Hoshizaki Europe B.V.
Keienbergweg 50 C/D, 1101 GC Ámsterdam,
Países Bajos

Nombre: Akira Kamiya

Cargo: Director general

Esta declaración pierde su validez si se realiza a la(s) máquina(s) alguna modificación no autorizada.

IMPORTANTE

1. Il presente manuale è parte integrante e fondamentale del prodotto e deve essere conservato con cura dall'utente. Si raccomanda di leggere con attenzione le indicazioni e le avvertenze ivi contenute, volte a fornire all'installatore/utente le informazioni fondamentali per la corretta installazione, l'utilizzo prolungato e la manutenzione del prodotto in condizioni di sicurezza. Si raccomanda di conservare il presente manuale per eventuali necessità di consultazione future.
2. Questa è una macchina industriale e deve essere utilizzata esclusivamente per gli impieghi per la quale è stata espressamente progettata. Qualunque altro impiego è da considerarsi improprio e pertanto pericoloso. La casa costruttrice declina ogni responsabilità per eventuali danni provocati da uso improprio, non corretto o sconsigliato.

I. ISTRUZIONI PER L'INSTALLAZIONE

AVVERTENZA

1. L'installazione deve essere eseguita da personale specializzato, in conformità alle norme vigenti e alle istruzioni della casa costruttrice.
2. Mantenere prive di ostruzioni le aperture di ventilazione della custodia della macchina o della struttura incorporata.

1. DISIMBALLAGGIO

AVVERTENZA

Tenere gli elementi d'imballaggio (sacchetti in plastica e polistirolo espanso) lontano dalla portata dei bambini, perché potenzialmente pericolosi.

ATTENZIONE

Rimuovere il cartone d'imballaggio, il nastro/i e l'imballaggio. La macchina non funziona correttamente qualora all'interno di essa rimanga del materiale di imballaggio.

- 1) Dopo aver tolto l'imballaggio, verificare che la macchina sia in condizioni ottimali. Qualora sorgano dubbi in merito, non utilizzare la macchina ma rivolgersi a personale qualificato.

- 2) Togliere il nastro adesivo che avvolge l'imballaggio degli accessori e verificare il contenuto:

a) Kit di installazione	
Tubo flessibile di entrata	1
Tubo flessibile d'uscita	1
Raccordo Rc1/2-G3/4	1
b) Rinforzo	1
c) Vite da metallo	2
d) Vite filettata	2

- 3) Togliere i nastri che fissano il cavo di alimentazione elettrica.

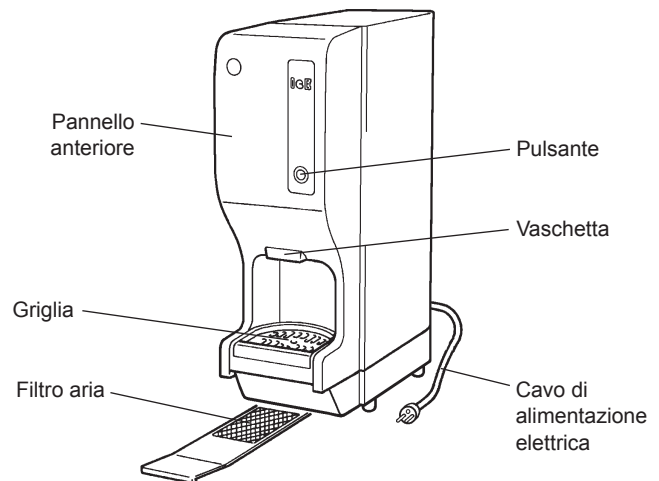


Fig. 1

2. UBICAZIONE

IMPORTANTE

1. La macchina non è idonea all'utilizzo all'aria aperta. La normale temperatura operativa dell'ambiente deve essere compresa fra 5°C e 40°C, quella dell'acqua invece, fra 5°C e 35°C. Facendo funzionare la macchina per lunghi periodi a temperature che non rientrano nelle gamme previste, si rischia di condizionarne la capacità di produzione.
2. La macchina non deve essere ubicata in prossimità di forni, grill o altri dispositivi che producono calore intenso.
3. Il pavimento su cui poggia deve garantire alla macchina, alla normale altezza di banco, una base solida e piana.
4. Lasciare uno spazio libero di 15 cm sul retro e sulla parte superiore della macchina e di 5 cm ai lati, in modo da favorire la circolazione dell'aria e le eventuali operazioni di manutenzione e/o servizio.

5. La macchina non è adatta per essere installata dove si fa uso di getti d'acqua o non si può drenare.
6. Non posizionare alcun oggetto sulla sommità della macchina per non ostruire la sfinessatura di aerazione.
7. Questa macchina non funziona a temperature inferiori allo zero. Scaricare la macchina quando la temperatura dell'aria è al di sotto dello zero, al fine di prevenire eventuali danni al circuito di alimentazione dell'acqua (vedere "II. 2. PREPARAZIONE DELLA MACCHINA PER IL RIMESSAGGIO PROLUNGATO").

- * Questa macchina richiede un'alimentazione separata a 220 - 240VCA, da 13A. L'alimentazione elettrica deve essere protetta da un interruttore automatico adeguato.
- * Il fusibile della scatola di comando principale è da 5 A e deve essere sostituito esclusivamente da un tecnico di servizio specializzato.
- * Per eseguire interventi elettrici sono solitamente necessari un permesso specifico nonché l'assistenza di un elettricista qualificato.
- * All'occorrenza, il cavo di alimentazione elettrica e la spina devono essere sostituiti solo da personale di servizio qualificato.

3. INSTALLAZIONE

- * L'installazione non corretta può provocare lesioni alle persone, agli animali e danni materiali, per i quali la casa costruttrice declina ogni responsabilità.
- * Fissare la macchina al bancone utilizzando il rinforzo, le viti da metallo e le viti filettate (accessorio). Vedere Fig. 2.

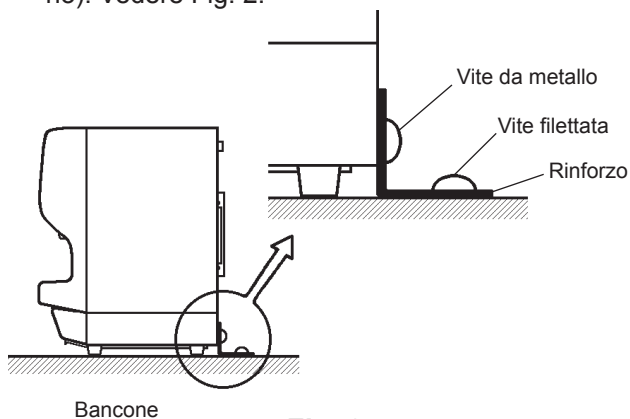


Fig. 2

4. COLLEGAMENTI ELETTRICI

AVVERTENZA

LA MACCHINA DEVE ESSERE COLLEGATA A MASSA

La macchina deve essere collegata a massa in modo da soddisfare le norme elettriche a livello locale e nazionale. Per prevenire il rischio di forti scosse elettriche alle persone e di seri danni alla macchina, connettere a quest'ultima un cavo di collegamento a massa. Scollegare la spina dalla presa principale prima di eseguire qualunque intervento di manutenzione, riparazione o pulizia.

Solo per il Regno Unito e la Repubblica d'Irlanda

- * I fili del cavo di alimentazione sono colorati in base al seguente codice:

verde e giallo = massa
 blu = neutro
 marrone = sotto tensione

Dato che i colori dei fili del cavo di alimentazione della macchina possono non corrispondere ai contrassegni colorati che identificano i terminali della spina dell'utente, procedere come segue:

Il filo verde e giallo deve essere collegato al terminale della spina contrassegnato dalla lettera E o dal simbolo \perp o di colore verde o verde e giallo. Il filo blu deve essere collegato al terminale della spina contrassegnato dalla lettera N o di colore nero. Il filo marrone deve essere collegato al terminale contrassegnato dalla lettera L o di colore rosso.

- * Se le prese a muro, nel luogo dell'installazione, non sono adatte alla spina appartenente alla dotazione del prodotto, togliere la spina (tagliandola se è del tipo pressofuso) e sostituirla con una spina adatta.

Se dal cavo di alimentazione elettrica è stata tagliata una spina di tipo non riciclabile, smaltirla. Non cercare di riutilizzarla. Inserire una spina del genere in una qualsiasi altra presa comporta un forte rischio di scosse elettriche.

- * La spina non riciclabile non va mai utilizzata senza aver montato un coprifusibile.

Per individuare il corretto ricambio del coprifusibile smontabile, leggere il numero di riferimento della casa costruttrice impresso sulla spina.

I coprifusibile possono essere reperiti presso il centro assistenza/ricambi Hoshizaki.

I fusibili devono essere di 13 A e con approvazione BS 1362.

5. COLLEGAMENTO DI ALIMENTAZIONE DELL'ACQUA E COLLEGAMENTO DI SCARICO

AVVERTENZA

Collegare solo all'approvvigionamento dell'acqua potabile.

* I collegamenti all'approvvigionamento idrico di rete devono essere eseguiti in conformità ai requisiti vigenti delle norme relative all'approvvigionamento dell'acqua e ai raccordi dell'acqua.

* La pressione dell'approvvigionamento dell'acqua deve essere di minimo 0,05 MPa (0,5 bar) e massimo 0,78 MPa (8 bar). Se la pressione è superiore a 0,78 MPa (8 bar), utilizzare una valvola limitatrice di pressione appropriata. **NON** strozzare il rubinetto dell'acqua.

* In alcune località, per eseguire lavori idraulici sono necessari un permesso specifico nonché l'assistenza di un idraulico qualificato.

* La macchina è dotata di un sistema di scarico a gravità: assicurarsi che il relativo tubo flessibile abbia una pendenza adatta.

* L'acqua deve essere drenata in uno scarico aperto.

* Assicurarsi di utilizzare i nuovi set di tubi forniti con l'apparecchio. Non riutilizzare i set di tubi vecchi.

1) Collegare l'estremità a gomito del tubo flessibile di entrata bianco (accessorio) al raccordo G3/4, situato sul retro della macchina, come indicato in figura, facendo attenzione che la rondella di tenuta in gomma sia posizionata in modo corretto. Serrare a mano quanto basta a evitare perdite.

2) Collegare al rubinetto dell'acqua l'altra estremità del tubo flessibile di entrata, facendo attenzione che la rondella sia posizionata correttamente prima di serrare a mano come descritto in precedenza.

3) Per mezzo di una chiave idonea, serrare gli attacchi Rc1/2-G3/4 (accessorio) ai raccordi Rc1/2, situati sul retro della macchina, come indicato. Per ottenere un accoppiamento a tenuta, utilizzare gli appositi ermetici e/o il nastro in PTFE.

Nota: gli ermetici devono essere approvati e adatti all'uso con acqua potabile.

4) Collegare il tubo flessibile di uscita grigio (accessorio) all'estremità libera del raccordo Rc1/2-G3/4 come indicato, verificando che la rondella in gomma sia montata in modo corretto prima di serrare a mano l'accoppiamento. Questo tubo flessibile può essere tagliato alla lunghezza necessaria per adattarlo alla posizione dello scarico principale.

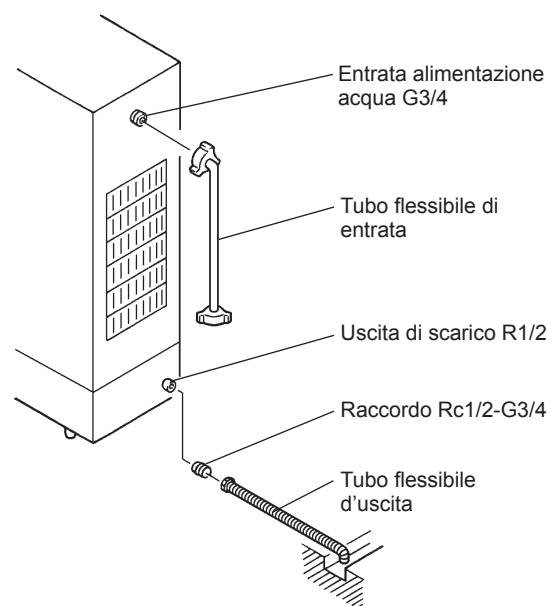


Fig. 3

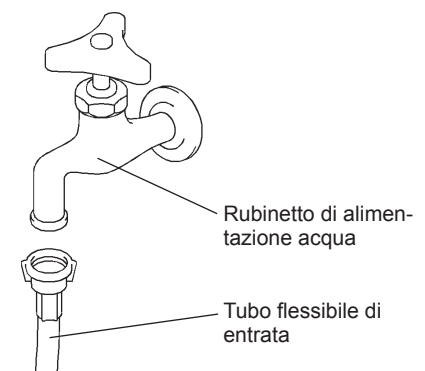


Fig. 4

II. ISTRUZIONI DI FUNZIONAMENTO

AVVERTENZA

1. La macchina serve a produrre e conservare cubetti di ghiaccio commestibili. Per mantenere igienica la macchina:
 - * Mantenere pulita la griglia. A tal fine, utilizzare un detergente neutro e sciacquare abbondantemente.
2. L'utilizzo di qualsiasi apparecchio elettrico implica l'osservanza di alcune norme fondamentali. In particolare:
 - * Ubicando la macchina in ambienti ad alta umidità, si aumenta il rischio di cortocircuiti e di scosse elettriche. In caso di dubbi, scollegare la macchina dall'alimentazione elettrica.
 - * Non tirare il cavo dell'alimentazione elettrica per scollegare la spina della macchina dalla rete di alimentazione.
 - * La macchina non deve essere utilizzata da persone (inclusi i bambini) con capacità fisiche, sensoriali e mentali ridotte o prive dell'esperienza e della conoscenza necessarie, tranne nei casi in cui siano fornite la supervisione o le istruzioni relative all'utilizzo della macchina da una persona responsabile della sicurezza.
 - * È necessaria la supervisione di un adulto per assicurare che i bambini non giochino con la macchina.
3. Tutti i componenti sono preimpostati dalla casa costruttrice. Regolazioni non corrette possono provocare guasti.
4. Se la macchina viene spenta, attendere almeno 3 minuti prima di avviarla nuovamente, per evitare di danneggiare il compressore.

1. AVVIO

- 1) Aprire il rubinetto dell'acqua.
- 2) Inserire la spina della macchina nella presa di alimentazione per avviare il processo automatico e continuo di produzione del ghiaccio.
- 3) Premere il pulsante e verificare la corretta distribuzione di cubetti dopo 30 - 60 minuti.

2. PREPARAZIONE DELLA MACCHINA PER IL RIMESSAGGIO PROLUNGATO

- 1) Distribuire tutto il ghiaccio presente nel contenitore di deposito.
- 2) Chiudere il rubinetto dell'acqua. Scollegare il tubo flessibile di entrata dal rubinetto dell'acqua, quindi scaricarlo.
- 3) Scollegare la macchina dalla presa di corrente.
- 4) Inserire nuovamente la spina nella presa di corrente e dopo 30 secondi toglierla nuovamente. In tal modo, l'acqua presente all'interno della macchina verrà scaricata automaticamente.

III. MANUTENZIONE

1. PULIZIA

AVVERTENZA

1. Prima di eseguire qualunque operazione di pulizia o di manutenzione, scollegare la macchina dalla rete di alimentazione elettrica.
2. Almeno due volte l'anno far pulire e disinfettare il sistema dell'acqua della macchina da personale di servizio qualificato e controllare e pulire il condensatore almeno una volta all'anno.
3. La macchina non deve essere pulita mediante getto d'acqua.
4. Per evitare possibili danni, non lavare i componenti in plastica con acqua oltre i 40°C o in lavastoviglie.

[1] Parte esterna e griglia

Per mezzo di un panno morbido e pulito, pulire la parte esterna e la griglia almeno una volta alla settimana. Per eliminare grasso o impurità, utilizzare un panno inumidito con un detergente neutro.

[2] Filtro aria

I filtri dell'aria a maglia di plastica servono a filtrare l'aria dalle impurità e dalla polvere, proteggendo così il condensatore da eventuali intasamenti. Con l'intasarsi dei filtri, le prestazioni della macchina si riducono via via.

Rimuovere e pulire il filtro dell'aria almeno due volte al mese utilizzando un aspirapolvere. In caso di filtro particolarmente intasato, per lavarlo, utilizzare acqua calda assieme ad una soluzione detergente neutra. Sciacquare e asciugare con cura il filtro dell'aria, quindi montarlo in modo corretto.

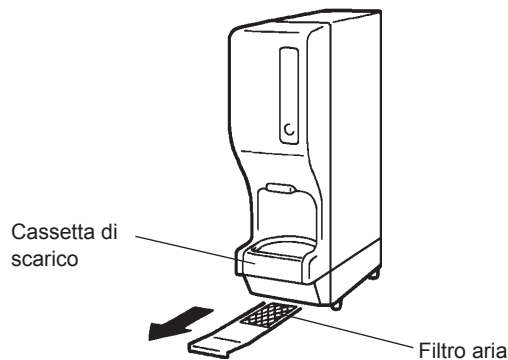


Fig. 5

[3] Cassetta di scarico

Almeno una volta al giorno, estrarre la cassetta di scarico e lavarla con acqua calda e soluzione detergente neutra.

2. PRIMA DI RIVOLGERSI ALL'ASSISTENZA

AVVERTENZA

Non danneggiare il circuito di refrigerazione.

Se la macchina non funziona correttamente o non funziona affatto, prima di rivolgersi all'assistenza controllare che:

- * la macchina riceva l'energia elettrica.
- * l'acqua sia aperta.
- * il filtro dell'aria sia pulito.

Per ulteriori assistenza e consulenza, contattare il locale centro di assistenza Hoshizaki.

3. GARANZIA

Hoshizaki garantisce al proprietario o utente originario che tutti i prodotti con marchio Hoshizaki sono privi di difetti di costruzione o inerenti ai materiali per l'intera durata del "periodo di garanzia". La garanzia è valida per due anni dalla data di installazione.

La responsabilità di Hoshizaki secondo le condizioni della garanzia è limitata ed esclude la manutenzione di routine, la pulizia, la manutenzione essenziale e/o le riparazioni che si rendano necessarie in conseguenza di uso scorretto e di installazione non conforme alle indicazioni Hoshizaki.

Le riparazioni in garanzia devono essere eseguite da un rivenditore o da un centro di assistenza autorizzato Hoshizaki, che utilizzino componenti originali Hoshizaki.

Per ottenere informazioni complete in merito alla garanzia e al centro di assistenza autorizzato, si prega di contattare il proprio rivenditore/fornitore di fiducia, oppure l'ufficio Hoshizaki europeo più vicino:

Regno Unito/Irlanda - Hoshizaki UK
 TEL: +44 (0)845 456 0585
 FAX: +44 (0)1462 499080

Olanda - Hoshizaki Europe
 TEL: +31 (0)20 6918499
 FAX: +31 (0)20 6918768

Belgio/Lussemburgo - Hoshizaki Belgium
 TEL: +32 (0)2 7123030
 FAX: +32 (0)2 7123031

Germania/Svizzera/Austria - Hoshizaki Deutschland
 TEL: +49 (0)2154 92810
 FAX: +49 (0)2154 928128

Francia - Hoshizaki France
 TEL: +33 (0)1 48639380
 FAX: +33 (0)1 48639388

Spagna/Portogallo - Hoshizaki Iberia
 TEL: +34 (0)93 4780952
 FAX: +34 (0)93 4780900

Altri paesi - Hoshizaki Europe
 TEL: +31 (0)20 6918499 o +44 (0)845 456 0585
 FAX: +31 (0)20 6918768 o +44 (0)1462 499080

**Il prodotto è dotato di un impianto refrigerante a tenuta ermetica contenente gas fluorurati a effetto serra inclusi nel Protocollo di Kyoto:
 DSM-12CE R134a / GWP 1430 / 0,065 kg**

Il prodotto è isolato con schiumatura ottenuta con gas fluorurati a effetto serra.

DICHIARAZIONE DI CONFORMITÀ CE

Casa costruttrice: Hoshizaki Electric Co., Ltd.
3-16 Minamiyakata, Sakae, Toyoake-shi,
Aichi 470-1194 Giappone

Con la presente dichiariamo che la macchina/le macchine elencate qui di seguito e costruite dalla Hoshizaki sono conformi ai requisiti fondamentali di natura sanitaria e di sicurezza richiesti dalle seguenti norme CE:

Norme CE: Direttiva EMC (2004/108/CE)
Direttiva sulla bassa tensione (2006/95/CE)

Standard europei di armonizzazione applicati: EN 55014-1 (EMC)
EN 55014-2 (EMC)
EN 61000-3-2 (EMC)
EN 61000-3-3 (EMC)
EN 61000-4-2 (EMC)
EN 61000-4-3 (EMC)
EN 61000-4-4 (EMC)
EN 61000-4-5 (EMC)
EN 61000-4-6 (EMC)
EN 61000-4-11 (EMC)
EN 60335-1 (LVD)
EN 60335-2-24 (LVD)
EN 62233 (EMF)

Anno di prima apposizione del marchio CE: 1997

Descrizione prodotto: macchina Hoshizaki per la fabbricazione del ghiaccio

Modello/i: DSM-12CE

Rappresentante autorizzato: Hoshizaki Europe B.V.
Keienbergweg 50 C/D, 1101 GC Amsterdam,
Paesi Bassi

Nome: Akira Kamiya

Incarico: Amministratore delegato

La validità della presente dichiarazione decade qualora vengano apportate modifiche alla macchina/alle macchine, senza previa autorizzazione da parte di Hoshizaki.