

NO. E2HA-3906

ISSUED: JAN.2014

REVISED: JUL.2014



**HOSHIZAKI
CRESCENT ICE DISPENSER**

MODEL DIM-30DE-1

【E2HA,E2HA-D001】

PARTS LIST

(HE)

C-1 DEC. 2013

D-0 JAN. 2014

AUXILIARY CODE

U - 1

The auxiliary code is the first two characters in the serial number. The first character indicates the production year. Years progress or regress in alphabetical order. The series of letters and skipped letters depend on UL listing, production, and model. See the auxiliary code(s) and corresponding year(s) on the front cover.

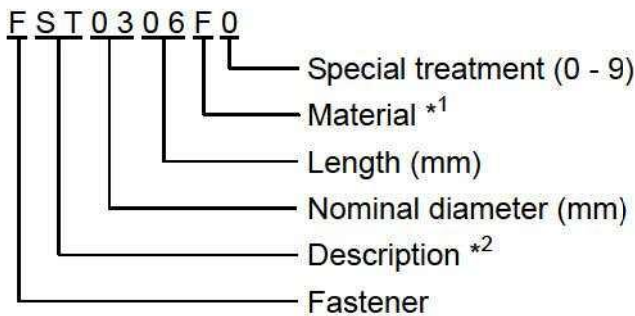
The second character indicates significant part changes within the same year. Base is "1" and this number advances for each change. If there is no significant part change at the turn of the year, this number starts from "0."

MARKS LOCATED UNDER THE AUXILIARY CODE

- = Part deleted.
- x = Part deleted and replaced by "o" part.
- o = New part in place of "x" part.

FASTENER PART NUMBER

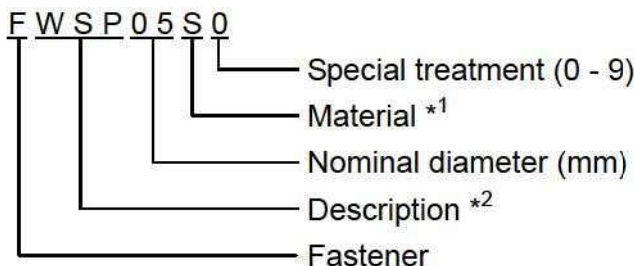
SCREWS



*1 **Material**

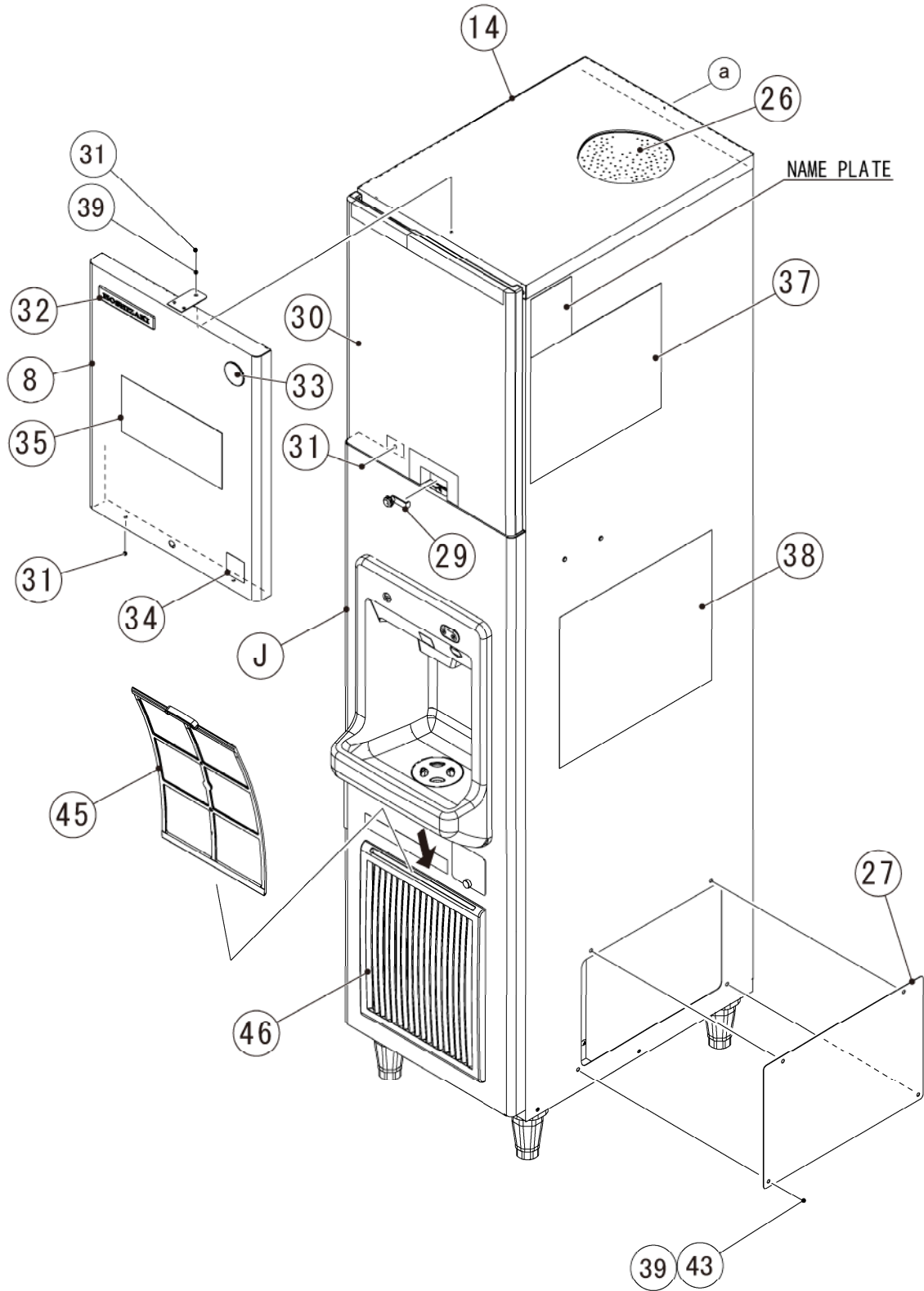
- F: Steel
- S: Austenitic stainless steel
- M: Martensitic stainless steel
- B: Copper alloy
- P: Polycarbonate
- N: Polyamide
- V: PVC
- A: ABS
- X: Polyacetal
- L: Aluminum

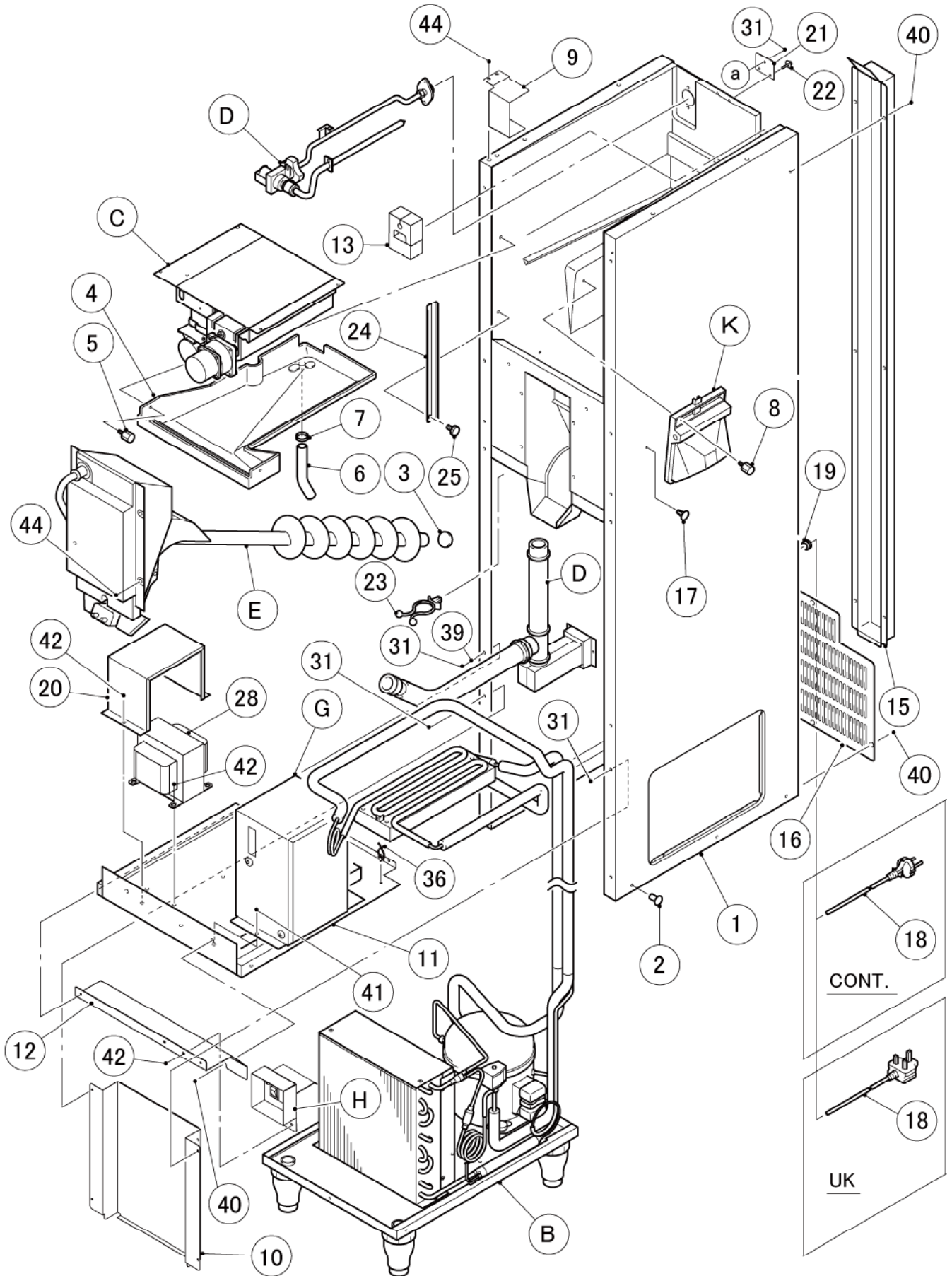
NUTS & WASHERS



*2 **Description**

- First letter
- S: Machine screw
- T: Tapping screw
- M: Wood screw
- B: Bolt
- W: Washer
- N: Nut



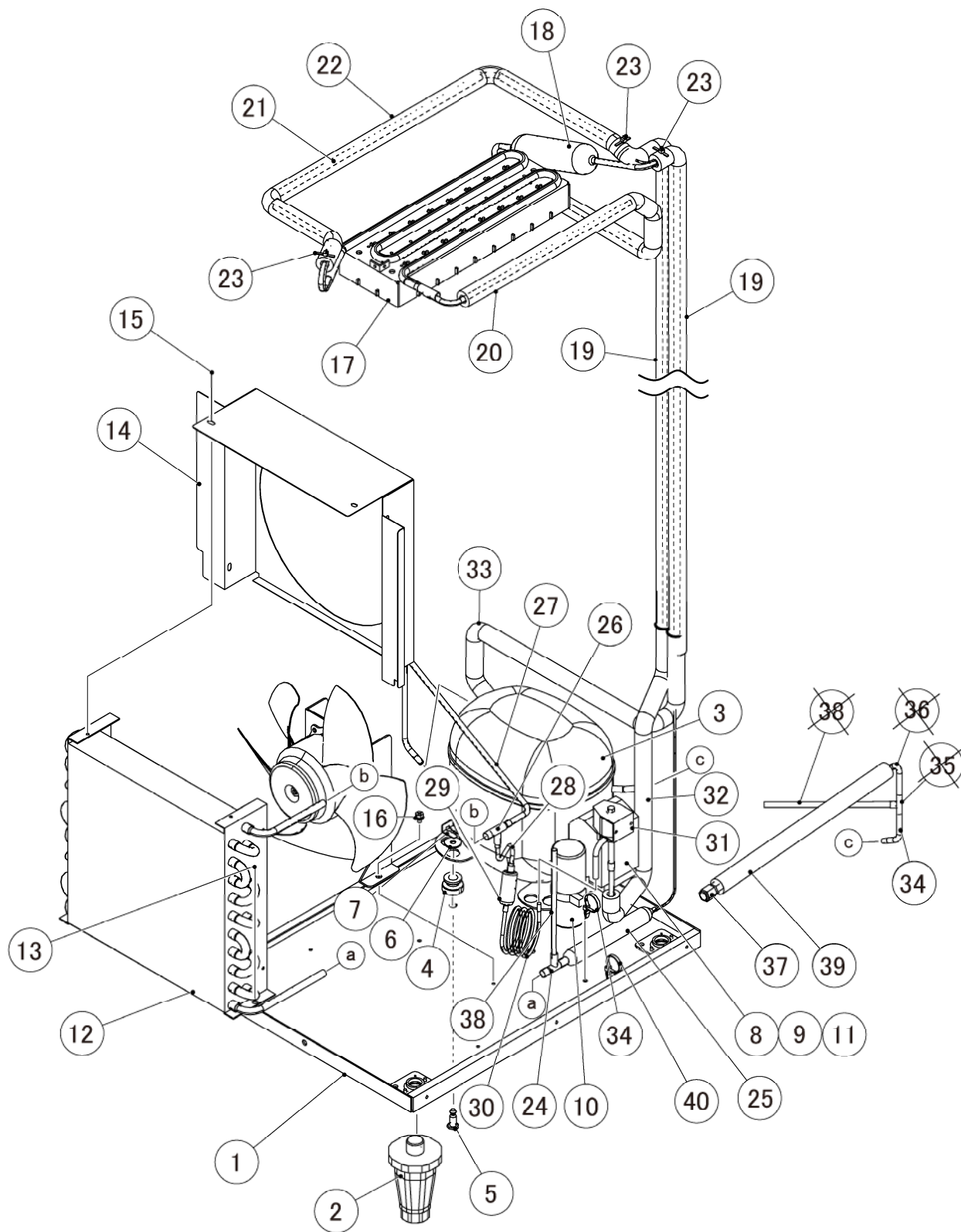


HE

MODEL : DIM-30DE-1		TITLE : A. ICE DISPENSER ASSY					
INDEX NO.	DESCRIPTION	MATERIAL OR MODEL NUMBER	PART NUMBER	REQ'D NUMBER			
				C-1 D-0			
B	REFRIGERATION ASSY	-	1H5414A01	1			
C	ICE MAKING ASSY	-	2X1810A01	1			
D	WATER CIRCUIT ASSY	-	2X1811A01	1			
E	MECHANISM ASSY	-	2X1814A01	1			
F	BIN SWITCH ASSY	-	336637A01	1			
G	CONTROL BOX ASSY	-	2X1812A01	1			
H	SWITCH BOX ASSY	-	4Y8417A01	1			
J	FRONT PANEL LOWER ASSY	-	2X1813A01	1			
N	ACCESORIES	-	A02866-01	1			
P	OPTIONAL PARTS	-	OPT-E2HA	1			
1	BODY	-	1H5398G01	1			
2	RIVET	-	7170-0002	6			
3	SPACER (TEFLON)	-	418704-01	1			
4	DRAIN PAN	-	2H5088G01	1			
5	THUMBSCREW	-	4H3270G02	4			
6	Si Hose	-	H11418165	1			
7	NYLON TIE	CV-70	7920-0001	1			
8	FRONT PANEL(G)-UPPER	-	3Y7730G01	1			
9	COVER-WATER VALVE	-	4Y8347M01	1			
10	AIR GUIDE(G)	-	3Y7801G01	1			
11	COVER(A)-UNIT	-	3Y7799G01	1			
12	COVER(B)-UNIT	-	4Y8414G01	1			
13	INSULATION-BIN	-	4Y8418P01	1			
14	TOP PANEL(G)	-	3Y7729G01	1			
15	COVER-PIPE	-	2X1767M01	1			
16	REAR PANEL	-	3Y7732M01	1			
17	PIN - CABINET	-	423602-19	4			
18	POWER CORD	(CONT)	P02697-01	1			
		(UK)	P02698-01	1			
19	BUSHING	-	448949-01	1			
20	COVER - TRANSFORMER	-	3Y8148M01	1			
21	BRACKET-TOP PANEL	-	4Y8345M01	1			
22	RIVET	-	7170-0001	2			

HE

MODEL : DIM-30DE-1		TITLE : A. ICE DISPENSER ASSY					
INDEX NO.	DESCRIPTION	MATERIAL OR MODEL NUMBER	PART NUMBER	REQ'D NUMBER			
				C-1 D-0			
23	WIRE RETAINER	No. 249	427902-03	6			
24	COVER - THERMISTOR	-	4X9614-01	1			
25	THUMBSCREW	-	449999-01	1			
26	INSULATION	PUR	426609-01	1			
27	COVER-LOUVER	-	4Y8346M01	1			
28	TRANSFORMER	-	P03442-01	1			
29	LOCK	-	461409-01	1			
30	BACK PANEL(G)-UPPER	-	2X1766G01	1			
31	TRUSS HEAD SCREW	-	FST0408S0	10			
32	EMBLEM	-	340842-01	1			
33	LABEL - PENGUIN	-	471486L01	1			
34	LABEL - HACCP	-	476519L01	1			
35	CHARACTER LABEL	-	379369L01	1			
36	WIRE RETAINER	NO,4253	427902-05	1			
37	INSTRUCTION LABEL	-	379370L01	1			
38	INSTRUCTION SHEET	-	350726-01	1			
39	TOOTH WASHER	-	FWTB04S0	8			
40	T2 TRUSS HEAD SCREW	-	FT20408S0	16			
41	HEX HEAD BOLT (SPRING WASHER AND FLAT	-	FBK0508S0	1			
42	HEX HEAD BOLT (SPRING WASHER AND FLAT	-	FBK0408S0	11			
43	TRUSS HEAD SCREW P	-	FSG0408S0	4			
44	HEX HEAD BOLT (SPRING WASHER AND FLAT	-	FBK0412S0	6			
45	LOUVER	-	1H4811P01	1			
46	AIR FILTER	-	2X0416G01	1			

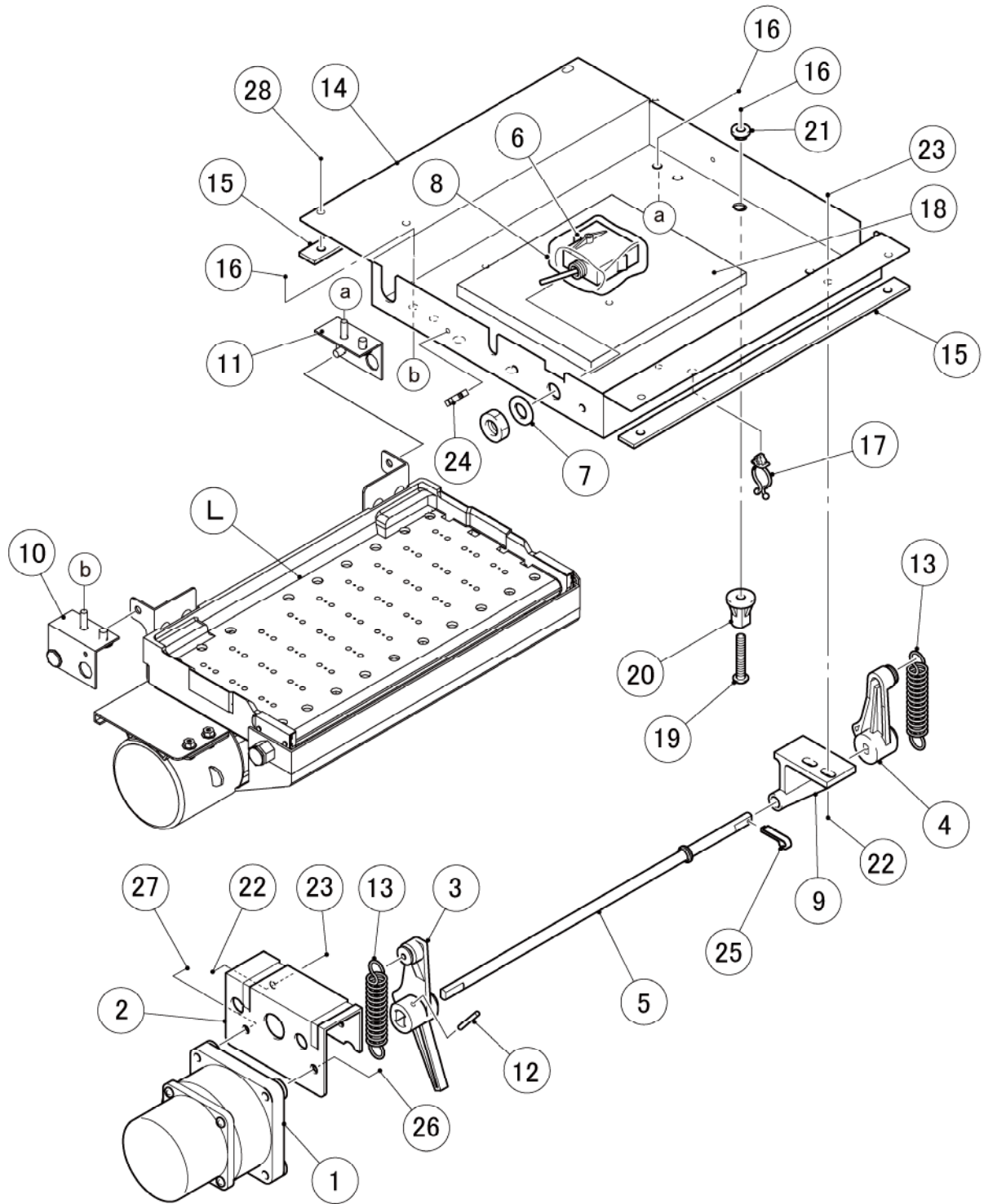


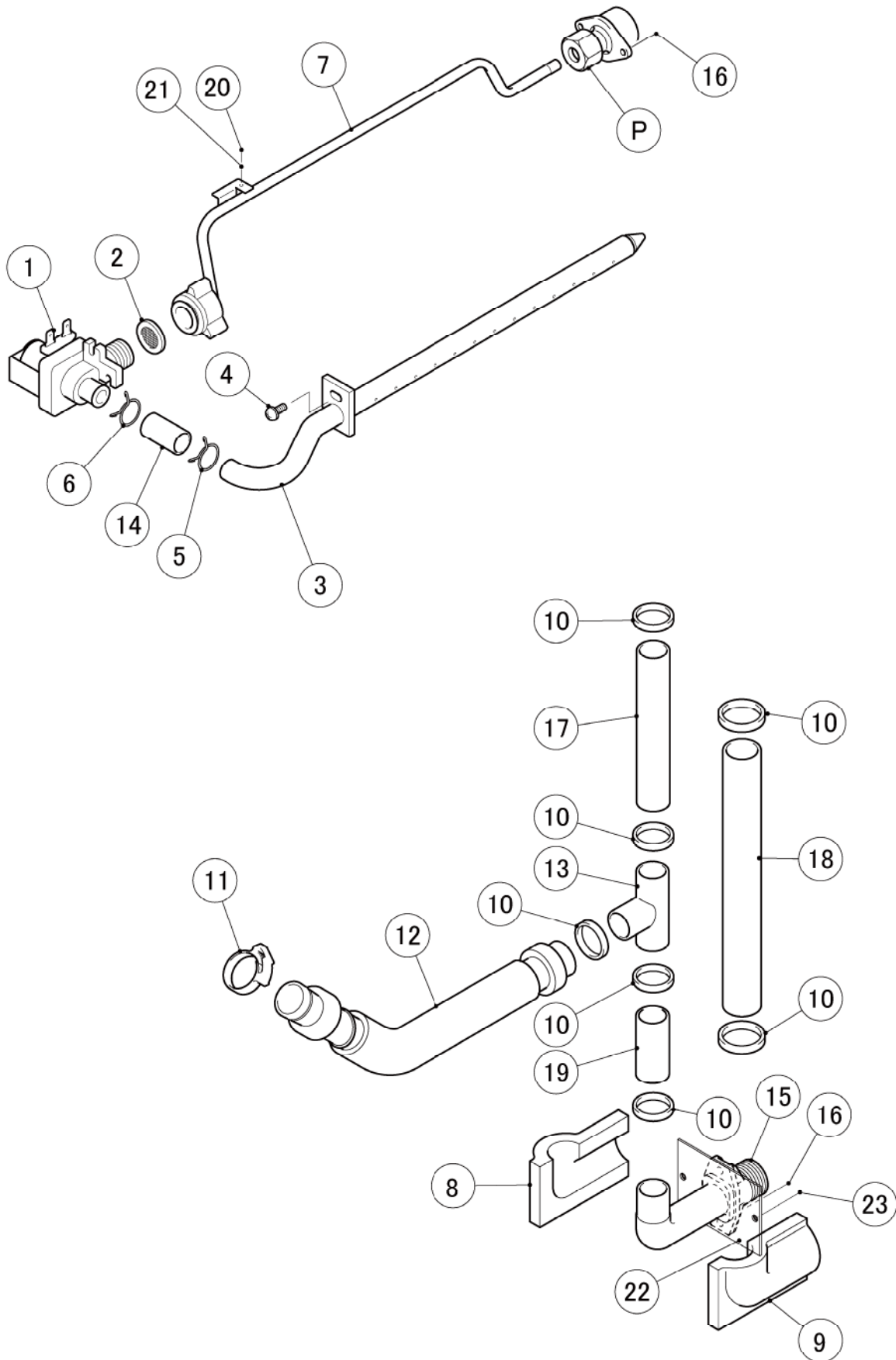
HE

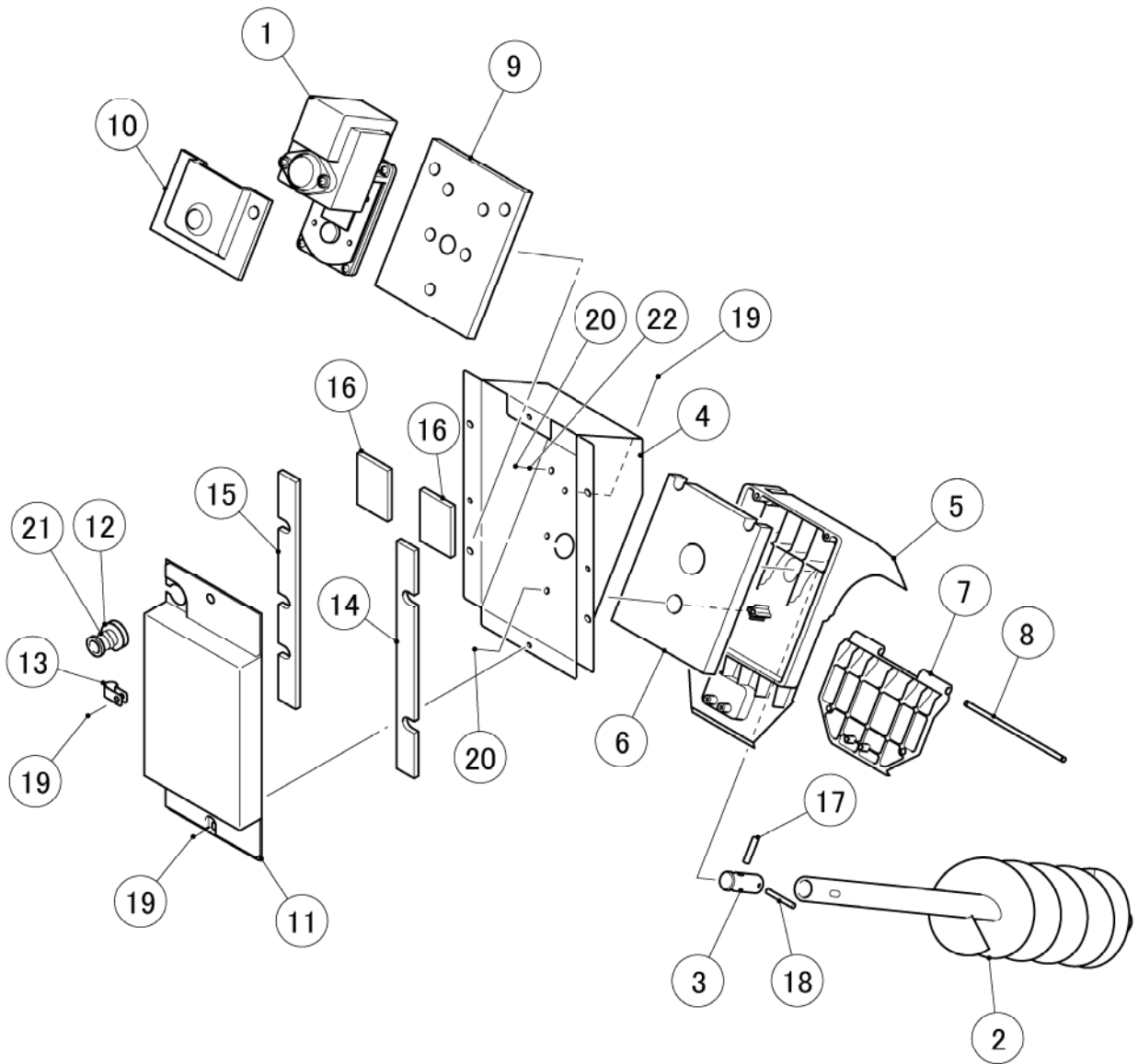
MODEL : DIM-30DE-1		TITLE : B. REFRIGERATION ASSY					
INDEX NO.	DESCRIPTION	MATERIAL OR MODEL NUMBER	PART NUMBER	REQ'D NUMBER			
				C-1 D-0			
K	FAN MOTOR ASSY	-	3Y7720A01	1			
		-					
1	BASE	-	3Y7715G01	1			
2	LEG	-	446729-01	4			
3	COMPRESSOR	-	450891-01	1			
4	GROMMET	-	450897-01	4			
5	STEEL PIN	-	452255-01	4			
6	WASHER CUSHION	-	450894-01	4			
7	CLIP	-	452256-01	4			
8	COVER	-	450896-01	1			
9	CORD RELIEF	-	4A3264-01	1			
10	STARTING CAPACITOR	-	450898-01	1			
11	STARTING RELAY	-	450893-01	1			
12	CONDENSER	-	P02439-01	1			
13	FLANGE BOLT (S-TITE)	-	FTQ0410M0	2			
14	SHROUD	-	2X1752M01	1			
15	T2 TRUSS HEAD SCREW	-	FT20408F0	6			
16	HEX HEAD BOLT (SPRING WASHER AND FLAT WASHER)	-	FBK0508S0	1			
17	EVAPORATOR	-	3X5333G01	1			
18	HEAT EXCHANGER	-	2X1755G01	1			
19	INSULATION TUBE	-	H71020H12	2			
20	INSULATION TUBE	-	H81020550	1			
21	COPPER TUBE(C)-HOT GAS	-	2X1753M01	1			
22	Insulation Tube - FSA	-	H81020720	1			
23	TIE	-	7920-0002	3			
24	TEE	-	4Y4060Z01	1			
25	DRIER	-	P03584-01	1			
26	TEE	-	420041-03	1			
27	COPPER TUBE(A)-HIGH SIDE	-	4Y8338M01	1			
28	COPPER TUBE(A-2)-HOT GAS	-	4Y8336M01	1			
29	STRAINER	-	430365-06	1			
30	COPPER TUBE (A) - HOT GAS	-	4H8281-01	1			
31	HOG GAS VALVE	-	418866-02	1			
32	COPPER TUBE(B)-HOT GAS	-	4Y8339G01	1			

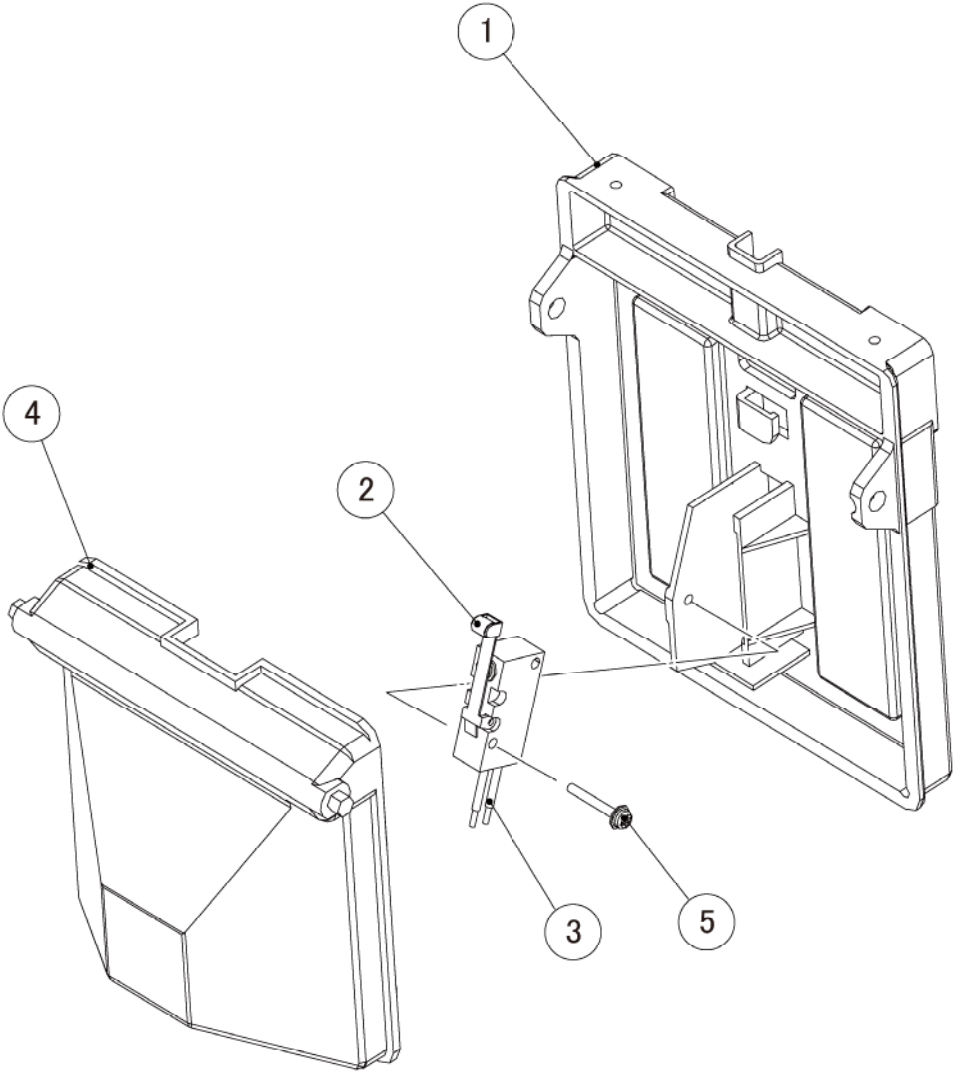
HE

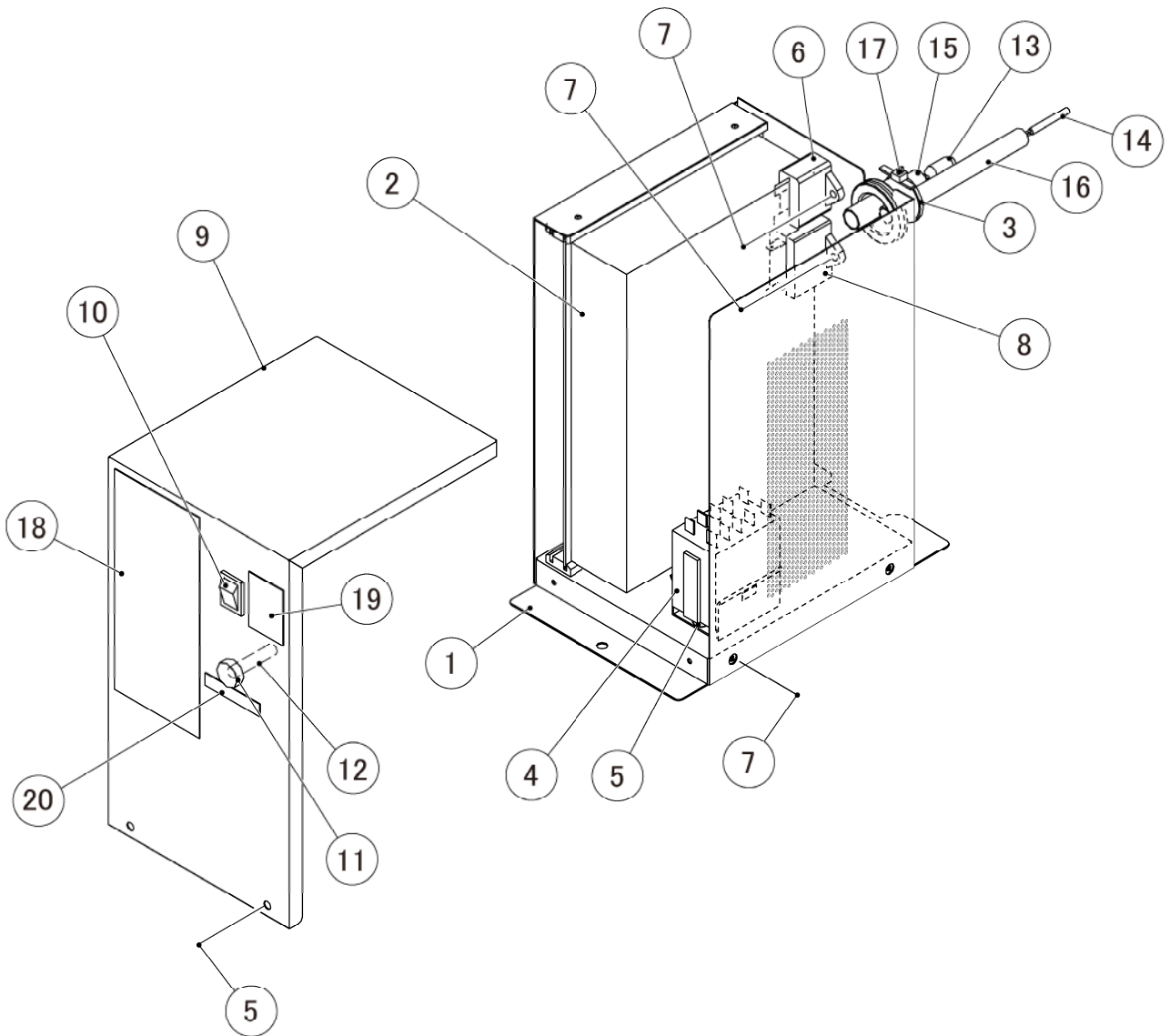
MODEL : DIM-30DE-1		TITLE : B. REFRIGERATION ASSY					
INDEX NO.	DESCRIPTION	MATERIAL OR MODEL NUMBER	PART NUMBER	REQ'D NUMBER			
				C-1 D-0			
33	COPPER TUBE(C)-LOW SIDE	-	3Y7719G01	1			
34	CHARGE PIPE (A)	-	4Y8623M01	1			
35	TEE - 6.4	-	417394-01	-			
36	CHARGE PIPE (B)	-	4X9455-01	-			
37	ACCESS VALVE	-	455119-01	1			
38	PROCESS TUBE	-	4Y0273-01	1			
39	INSULATION TUBE	-	H71020300	1			
40	PUSH MOUNT TIE	-	436156-01	1			

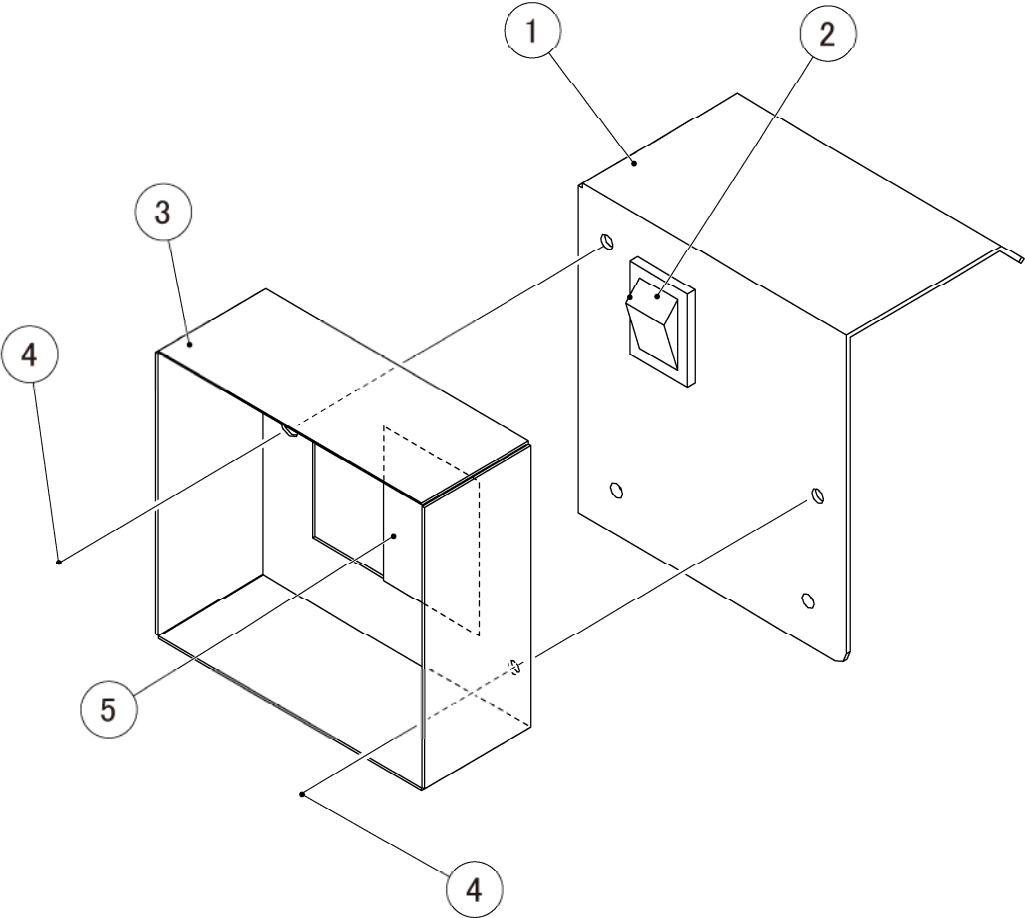


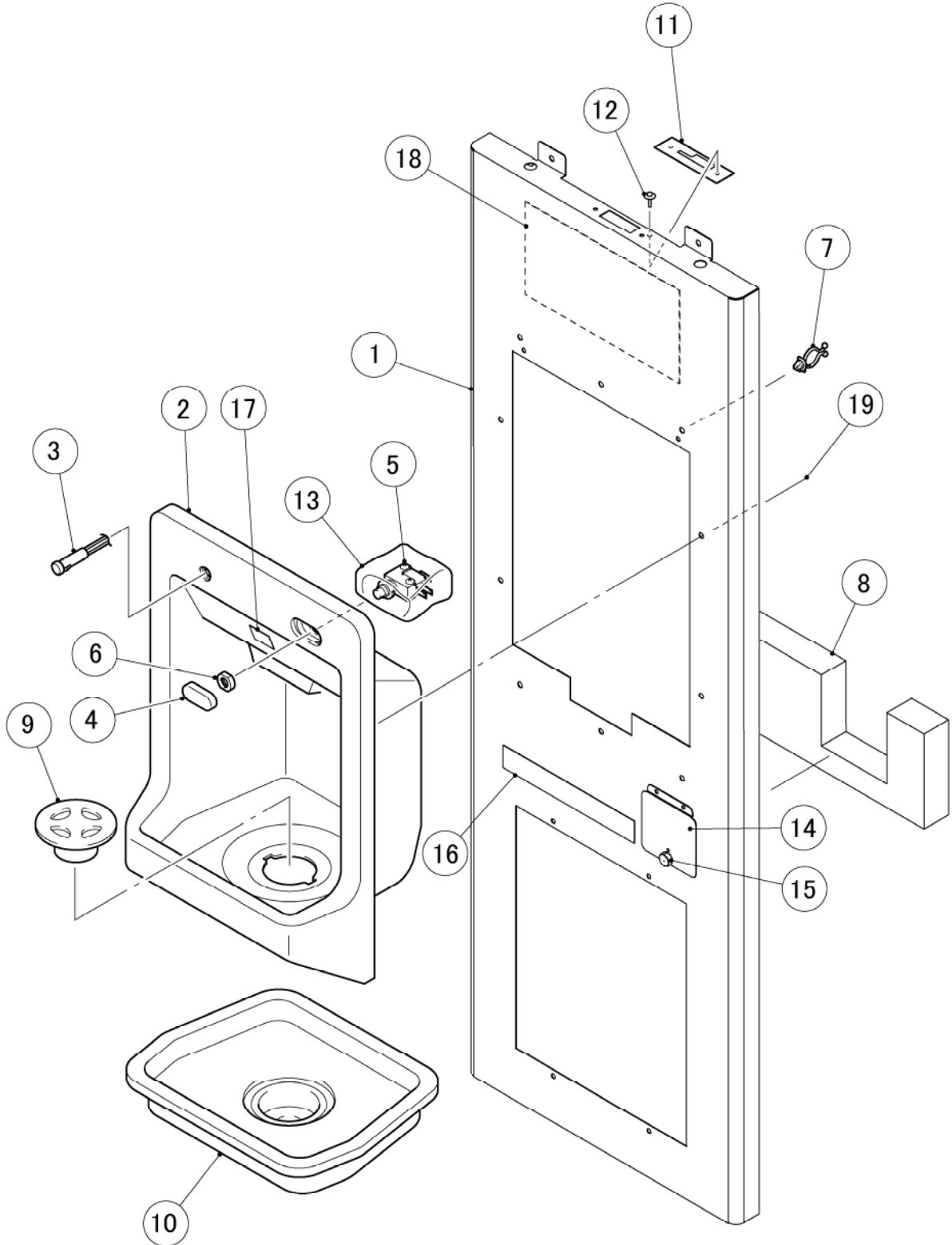


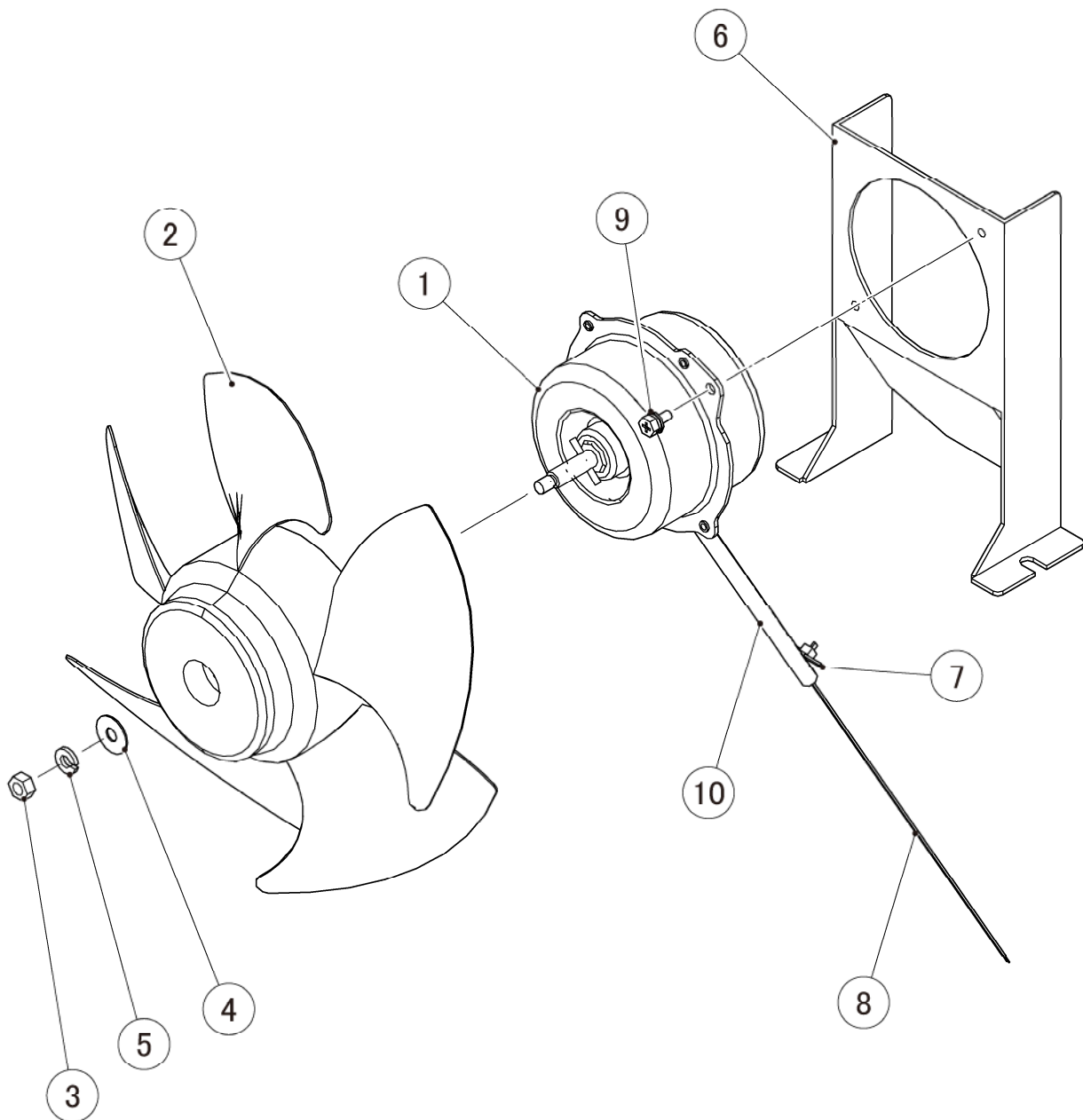


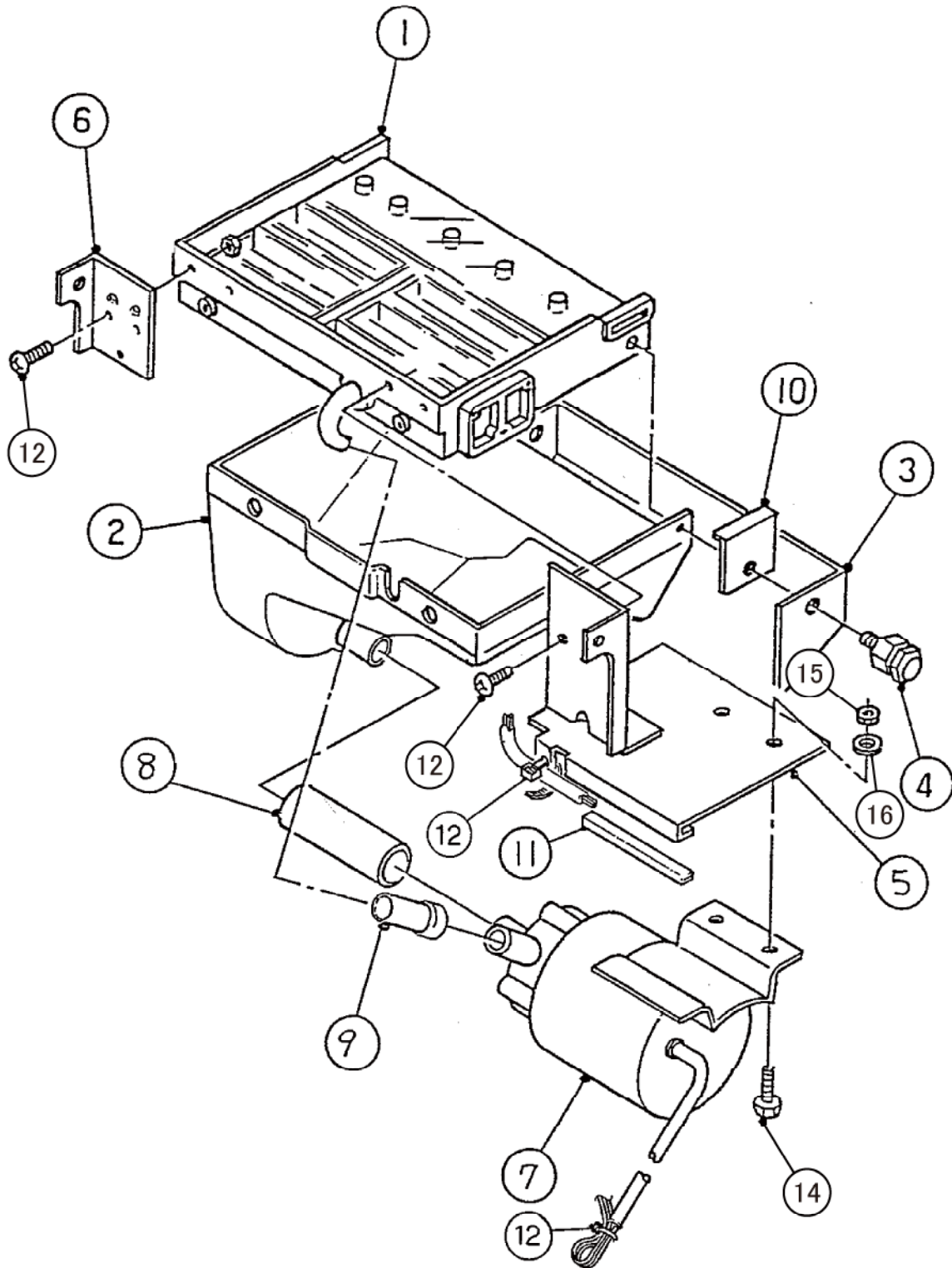












(S-0865)

DIM-30DE-1

M . FITTING (K) ASSY

